

深圳市槟城电子股份有限公司

Shenzhen Bencent Electronics Co.,Ltd.

地址 /Address: 深圳市宝安区石岩街道松白路海谷科技大厦T4栋4楼

4th floor,T4 building,Haigu Science Mansion,Song Bai Road,Shiyan street,Baoan District, Shenzhen

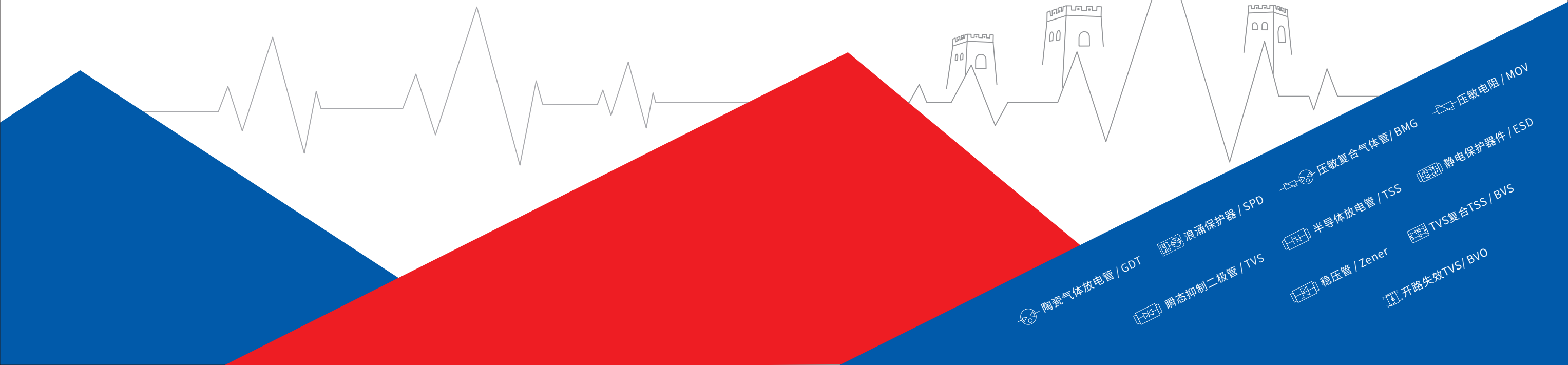
网址 /Web: www.bencent.com.cn

电话 / Tel: +86-755-26515060



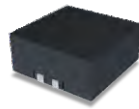
 **Bencent® 槟城电子**

V202306



- 陶瓷气体放电管 / GDT
- 浪涌保护器 / SPD
- 压敏复合气体管 / BMG
- 压敏电阻 / MOV
- 瞬态抑制二极管 / TVS
- 半导体放电管 / TSS
- 静电保护器件 / ESD
- 稳压管 / Zener
- TVS复合TSS / BVS
- 开路失效TVS / BVO

OTVS



BVO-SMG76CA

$I_{pp} \geq 10kA @ 8/20\mu s @ 95^\circ C$
 $V_{DRM} \geq 76V$
 Failsafe
 24.0x23.5x13.8mm Page 123



Circuit

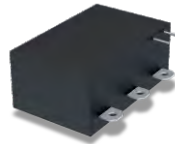


DC POWER



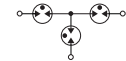
AUU

SPD For AC



BSPD230C20PF-02

$U_C = 230V$ $I_N = 20KA(8/20\mu s)$
 $U_P < 2.0KV(L \rightarrow N/L \rightarrow PE/N \rightarrow PE)$
 38.5x16.4x24mm Page 47



Circuit

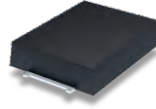


AC POWER



PAD Power

SMK



BV-SMKJ75CA

$8/20\mu s$ $3KA @ 90^\circ C$
 $V_{BR} \geq 85V$
 $V_C \leq 140V$
 10.5x8.2x2.2mm
 Page 117



Circuit

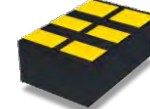


DC POWER



RRU

LOW- C_0 ESD



BV-FE03U2M-H

$C_0 = 0.35pF @ 1MHz$
 $I_{pp} > 10A(8/20\mu s)$
 1.6x1.0x0.55mm Page 125



Circuit



RJ45-10G



Switch

BXD



BXD3000SA03M03

$V_{BR} \geq 2400V$ $V_{impuls} \leq 2500V$
 $I_{pp} > 3KA(8/20\mu s)$
 Hi-pot $\geq 1500V$
 9.0x5.5x7.0mm Page 45



Circuit



AC POWER



Adapter

OGDT



BGO6000A05-LC2

1.2/50-8/20 μs 10KV-5KA
 AC 1A-30A Failsafe
 $V_{BR} \geq 480V$
 $\phi 8.0 \times 7.0mm$ Page 45



Circuit



AC POWER



Charging stations

SPD For PV



BSPDPV20K-670H1

$U_C = 670V DC$ $I_N = 10KA(8/20\mu s)$
 No leakage current and high reliability
 34.2x14.3x30.3mm Page 49



Circuit



DC POWER



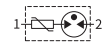
PV Inverter

BMG



BMG20D471K102Y

$I_{pp} = 5KA @ 8/20\mu s$
 Low Clamping Voltage
 $V_{BR} \geq 600V$
 20x17x9mm Page 51



Circuit

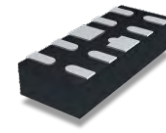


AC POWER



Air conditioner

LOW- V_C ESD



BV-FK03U4CB

$V_{BR} \geq 3.3V$
 $VC < 10V @ 5A @ 8/20\mu s$
 $VC \approx 9V @ 16A @ TLP$
 $C_0 = 0.45pF @ 1MHz$
 2.5x1.0x0.5mm Page 131



Circuit

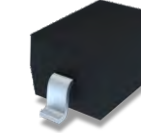


HDMI



Laptop

Zener



BW-D1G5V6T1G-5

$V_z = 5.6V \pm 5\%$
 $P_D > 500mW$
 3.6x1.55x1.2mm Page 141



Circuit



DC POWER



Adapter

防护六步法 / Six—Steps to Success

环境分析 Environmental Analysis

- ▶ Lightning Protect Zone
 - LPZ0B-1 P1-2
 - LPZ0B-2 P1-2
 - LPZ0B-3 P1-2
 - LPZ1 P1-2
 - LPZ2 P1-2

标准选择 Choose Standard

- ▶ Test Standards
 - ITU-T K.20 P03
 - ITU-T K.21 P05
 - GR1089 P07
 - ISO7637 P09
 - ISO16750 P09
 - IEC61000-4-5 P10
 - IEC61000-4-4 P10
 - IEC61000-4-2 P11
 - UL60950 P11

方案设计 Application Guide

- ▶ Equipment V Ports P13
- ▶ Ports Circuit Design
 - AC P13-15
 - DC P16-21
 - RJ11 P22-23
 - RJ45 P24-26
 - Coaxial P26-28
 - RS485 P29-29
 - Other P30-34
 - Zener P35-36

器件选择 Select Components

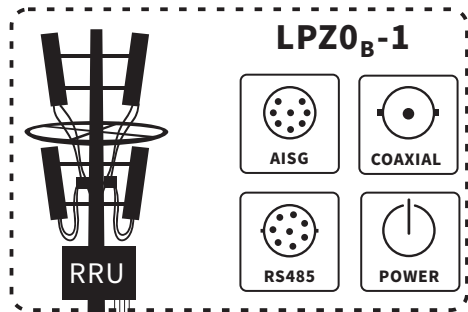
- ▶ V-I curve P37
- ▶ V-t curve P38
- ▶ Datasheet
 - GDT P39-46
 - SPD P47-50
 - BMG P51-60
 - MOV P61-78
 - TSS P79-82
 - TVS P83-120
 - BVS P121-122
 - BVO P123-124
 - ESD P125-134
 - Zener P135-156

方案测试 System Test

- ▶ Surge Lab P157
- ▶ Test Waveforms
 - Surge P158
 - EFT P158
 - ESD P158
 - Other P160

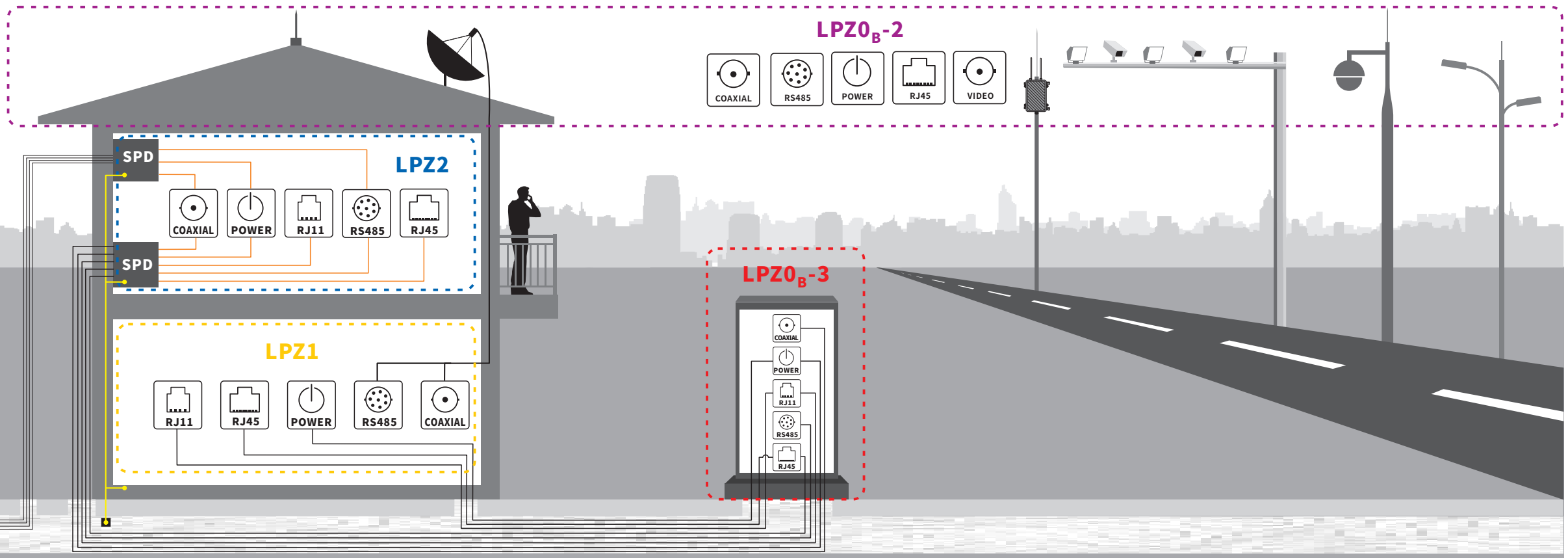
应用优化 Apply & Optimize

- ▶ Qualification Certificate P161-162
- ▶ Reliability Lab P163
- ▶ Layout
 - Recommended P164



Recommended surge level

	AISG	COAXIAL	RS485	AC POWER	DC POWER	RJ45	RJ11	VIDEO
LPZ0 _{B-1}	8/20μs 5KA	8/20μs 5KA	8/20μs 5KA	8/20μs 20KA/40KA	8/20μs 10KA/20KA			
LPZ0 _{B-2}	1.2/50-8/20μs 6KV-3KA	1.2/50-8/20μs 6KV-3KA	1.2/50-8/20μs 6KV-3KA	8/20μs 10KA/20KA	8/20μs 5KA/10KA			
LPZ0 _{B-3}	10/700μs 4KV, 6KV	10/700μs 4KV, 6KV	10/700μs 4KV, 6KV	1.2/50-8/20μs 6KV-3KA	1.2/50-8/20μs 6KV-3KA	10/700μs 4KV, 6KV	10/700μs 4KV, 6KV	10/700μs 4KV, 6KV
LPZ1		1.2/50μs 2KV, 4KV	1.2/50μs 2KV, 4KV	1.2/50μs 2KV, 4KV	1.2/50μs 2KV, 4KV	1.2/50μs 2KV, 4KV	1.2/50μs 2KV, 4KV	1.2/50μs 2KV, 4KV
LPZ2		1.2/50μs 1KV	1.2/50μs 1KV	1.2/50μs 1KV, 2KV	1.2/50μs 0.5KV, 1KV	1.2/50μs 1KV	1.2/50μs 1KV	1.2/50μs 1KV



LPZ0_{B-1} Application environment on telecom transmission tower

LPZ0_{B-2} Outdoor cabinet on rooftops (high speed aerial included)

LPZ0_{B-3} General outdoors, walls, hanging bars

LPZ1 Other areas inside building except LPZ0_B classification defined, e.g. passageway, weak current wells, switching room, basement, inside room

LPZ2 To be provided with good line-to-ground connection system and the specific room with primary protection, e.g. inside building, generator room or outdoor container-style mini generator room etc.

ITU-T K.20 (NOV 2022) Resistibility of telecommunication equipment installed in a telecommunication centre voltages and overcurrents

Table 1a – Applicable tests for external ports

Test type	No. of pairs simultaneously tested	Test connections	Primary protection	Port type									
				Symmetric port		Co-axial port		Dedicated power feed port		Mains power port			
				Basic test levels (also see clause 7 of [ITU-T K.44])	Enhanced test levels (also see clauses 5 and 7 of [ITU-T K.44])	Basic test levels (also see clause 7 of [ITU-T K.44])	Enhanced test levels (also see clauses 5 and 7 of [ITU-T K.44])	Basic test levels (also see clause 7 of [ITU-T K.44])	Enhanced test levels (also see clauses 5 and 7 of [ITU-T K.44])	Basic test levels (also see clause 7 of [ITU-T K.44])	Enhanced test levels (also see clauses 5 and 7 of [ITU-T K.44])		
Single	Transverse/differential	No	No	10/700µs 15+25Ω 1KV A.6.1-1 (a and b)	10/700µs 15+25Ω 1.5KV A.6.1-1 (a and b)	1.2/50 – 8/20µs 2Ω 1KV A.6.2-1	1.2/50 – 8/20µs 2Ω 1.5KV A.6.2-1	10/700µs 15+25Ω 1.0KV A.6.3-1 (a and b)	10/700µs 15+25Ω 1.5KV A.6.3-1 (a and b)	1.2/50µs 2Ω 2.5KV A.6.4-1	1.2/50µs 2Ω 6KV A.6.4-1		
				Port to earth	No	10/700µs 15+25Ω 1.0KV A.6.1-2	10/700µs 15+25Ω 1.0KV A.6.1-2	n/a	n/a	10/700µs 15+25Ω 1.0KV A.6.3-2	10/700µs 15+25Ω 6KV A.6.3-2	1.2/50µs 2Ω 2.5KV A.6.4-2	1.2/50µs 2Ω 6KV A.6.4-2
						Port to external port	No	n/a	n/a	n/a	n/a	1.2/50µs 2Ω 2.5KV A.6.4-3	1.2/50µs 2Ω 6KV A.6.4-3
				Coordination/Transverse/differential	Yes			10/700µs 15+25Ω 4KV A.6.1-1 (a and b)	10/700µs 15+25Ω 4KV A.6.1-1 (a and b)	11.2/50 – 8/20µs 2Ω 4KV A.6.2-1	11.2/50 – 8/20µs 2Ω 6KV A.6.2-1	10/700µs 15+25Ω 4KV A.6.3-1 (a and b)	10/700µs 15+25Ω 4KV A.6.3-1 (a and b)
						Coordination/Port to earth	Yes	10/700µs 15+25Ω 4KV A.6.1-2	10/700µs 15+25Ω 4KV A.6.1-2	n/a	n/a	10/700µs 15+25Ω 4KV A.6.3-2	10/700µs 15+25Ω 4KV A.6.3-2
				Coordination/Port to external port	Yes			n/a	n/a	n/a	n/a	1.2/50µs 2Ω 6KV A.6.4-3	1.2/50µs 2Ω 10KV A.6.4-3
						Lightning/voltage	Multiple	Port to earth	No	10/700µs 15+25Ω 1.5KV A.6.1-4	10/700µs 15+25Ω 1.5KV A.6.1-4	n/a	n/a
Port to external port	No	n/a	n/a	n/a	n/a					n/a	n/a		
		Port to earth	Yes	10/700µs 15+25Ω 4KV A.6.1-4	10/700µs 15+25Ω 6KV A.6.1-4					n/a	n/a	n/a	n/a
Port to external port	Yes			n/a	n/a					n/a	n/a	n/a	n/a
		Ethernet unshielded twisted pair (UTP _E)	Port to earth	No	1.2/50µs 2+10Ω 2.5KV A.6.7-4	1.2/50µs 2+10Ω 6KV A.6.7-4	n/a	n/a	n/a	n/a			
Transverse	No				1.2/50µs 2+10Ω+10Ω 0.6KV A.6.7-5	1.2/50µs 2+10Ω+10Ω 1.5KV A.6.7-5	n/a	n/a	n/a				
					Voltage impulse test	No	1.2/50µs 2+5Ω 2.5KV A.6.7-3a	1.2/50µs 2+5Ω 6KV A.6.7-3a	n/a	n/a	n/a		
Power over Ethernet (PoE)	No	1.2/50µs 2+10Ω+10Ω 0.6KV A.6.7-2	1.2/50µs 2+10Ω+10Ω 1.5KV A.6.7-2	n/a			n/a	n/a					
		Ethernet shielded twisted pair (STP _E)	Port to earth	No	1.2/50µs 2+10Ω 2.5KV A.6.7-4	1.2/50µs 2+10Ω 6KV A.6.7-4	n/a	n/a	n/a				
Shield to earth	No				1.2/50µs 2+5Ω 2.5KV A.6.7-6	1.2/50µs 2+5Ω 6KV A.6.7-6	n/a	n/a	n/a				
		Lightning current	Single	Port to earth	No	8/20µs A.6.1-2 1 kA/wire	8/20µs A.6.1-2 5 kA/wire	n/a	n/a	8/20µs A.6.3-2 1 kA/wire	8/20µs A.6.3-2 5 kA/wire	n/a	
Port to external port	No					n/a	n/a	n/a	n/a				
						Differential	n/a	n/a	n/a	8/20µs A.6.2-1 1 kA	8/20µs A.6.2-1 5 kA	n/a	n/a
Shield to earth	n/a	n/a	n/a	8/20µs A.6.2-2 Mounted on a tower 4KA Others 2KA	8/20µs A.6.2-2 Mounted on a tower 20KA Others 5KA			n/a	n/a				

Test type	No. of pairs simultaneously tested	Test connections	Primary protection	Port type									
				Symmetric port		Co-axial port		Dedicated power feed port		Mains power port			
				Basic test levels (also see clause 7 of [ITU-T K.44])	Enhanced test levels (also see clauses 5 and 7 of [ITU-T K.44])	Basic test levels (also see clause 7 of [ITU-T K.44])	Enhanced test levels (also see clauses 5 and 7 of [ITU-T K.44])	Basic test levels (also see clause 7 of [ITU-T K.44])	Enhanced test levels (also see clauses 5 and 7 of [ITU-T K.44])	Basic test levels (also see clause 7 of [ITU-T K.44])	Enhanced test levels (also see clauses 5 and 7 of [ITU-T K.44])		
Lightning current	Single	Shield to external port	n/a	n/a		n/a		n/a		n/a			
				Multiple	Port to earth	n/a	8/20µs A.6.1-4 1 kA/wire limited 6KA	8/20µs A.6.1-4 5 kA/wire limited 30KA	n/a		n/a		
							Port to external port	n/a	n/a		n/a		
Power induction and earth potential rise	Single	Transverse/differential	No	Transverse/differential		Understudy			AC600V600Ω A.6.3-1(a and b) t=0.2s		n/a		
				Port to earth	No	AC600V600Ω A.6.1-1(a and b) t=0.2s		n/a		AC600V600Ω A.6.3-2 t=0.2s		5.2.1 under study	
		Port to external port	No			n/a		n/a		n/a		n/a	
				Coordination/Transverse	Yes	AC600V600Ω A.6.1-1(a and b) t=1s	AC1500V200Ω A.6.1-1(a and b) t=2s	Understudy		AC600V600Ω A.6.3-1(a and b) t=1s	AC1500V200Ω A.6.3-1(a and b) t=2s	n/a	
		Coordination port to earth	Yes			AC600V600Ω A.6.1-2 t=1s	AC1500V200Ω A.6.1-2 t=2s	n/a		AC600V600Ω A.6.3-2 t=1s	AC1500V200Ω A.6.3-2 t=2s	n/a	
				Coordination port to external port	Yes	n/a		n/a		n/a		n/a	
Neutral potential rise	Single	Port to earth	No			n/a		n/a		n/a		AC600V200Ω A.6.4-2 t=1s	AC1500V200Ω A.6.4-2 t=1s
				Port to external port	No	n/a		n/a		n/a		AC600V200Ω A.6.4-3 t=1s	AC1500V200Ω A.6.4-3 t=1s
Mains power contact	Single	Transverse	No			AC230V10/20/40/80/160/300/600/1000Ω A.6.1-1(a and b) t=15min		n/a		AC230V10/20/40/80/160/300/600/1000Ω A.6.3-1(a and b) t=15min		n/a	
				Port to earth	No	AC230V10/20/40/80/160/300/600/1000Ω A.6.1-2 t=15min		n/a		AC230V10/20/40/80/160/300/600/1000Ω A.6.3-2 t=15min		n/a	
						Port to external port	No	n/a		n/a		n/a	

Table 1b – Lightning test conditions for ports connected to internal cables

No. of pairs simultaneously tested	Test connection	Primary protection	Unshielded cable			Shielded cable			PoE feed			DC powered equipment		DC power source		
			Basic test levels (also see clause 7 of [ITU-T K.44])	Intermediate test levels (also see clause 7 of [ITU-T K.44])	Enhanced test levels (also see clauses 5 and 7 of [ITU-T K.44])	Basic test levels (also see clause 7 of [ITU-T K.44])	Intermediate test levels (also see clause 7 of [ITU-T K.44])	Enhanced test levels (also see clauses 5 and 7 of [ITU-T K.44])	Basic test levels (also see clause 7 of [ITU-T K.44])	Intermediate test levels (also see clause 7 of [ITU-T K.44])	Enhanced test levels (also see clauses 5 and 7 of [ITU-T K.44])	Basic test levels (also see clause 7 of [ITU-T K.44])	Enhanced test levels (also see clauses 5 and 7 of [ITU-T K.44])			
			Single	Shielded cable to earth	No				1.2/50-8/20µs2Ω 1KV A.6.5-2	1.2/50-8/20µs2Ω 1.5KV A.6.5-2						
Universal serial bus (USB) shielded cable to earth	No					1.2/50-8/20µs2Ω 100V A.6.5-2	1.2/50-8/20µs2Ω 150V A.6.5-2									
		Screen/shield connection high current test				No				1.2/50-8/20µs2Ω+ 5Ω 2.5KV A.6.7-6	1.2/50-8/20µs2Ω+ 5Ω 2.5KV A.6.7-6	1.2/50-8/20µs2Ω+ 5Ω 6KV A.6.7-6				
Ethernet transverse	No			1.2/50-8/20µs2Ω 2.5KV A.6.7-5	1.2/50-8/20µs2Ω 4KV A.6.7-5		1.2/50-8/20µs2Ω 1.5KV A.6.7-5	1.2/50-8/20µs2Ω 2.5KV A.6.7-5	1.2/50-8/20µs2Ω 4KV A.6.7-5	1.2/50-8/20µs2Ω 6KV A.6.7-5						
		Twisted pair port transverse/differential		No	1.2/50-8/20µs2Ω 0.5KV A.6.7-5	1.2/50-8/20µs2Ω 1.5KV A.6.7-5	1.2/50-8/20µs2Ω 0.5KV A.6.7-5	1.2/50-8/20µs2Ω 1.5KV A.6.7-5	1.2/50-8/20µs2Ω 1.5KV A.6.7-5							
					DC powered equipment port	No							1.2/50-8/20µs 2Ω+10Ω+9µ F1KV A.6.6-1a	1.2/50-8/20µs 2Ω+10Ω+9µ F1KV A.6.6-1a		
DC power source port	No											1.2/50-8/20µs 2Ω+10Ω+9µ F1KV A.6.6-1b	1.2/50-8/20µs 2Ω+10Ω+9µ F1KV A.6.6-1b			
		Multiple	Unshielded cable with symmetric pairs	No	1.2/50-8/20µs2Ω+ 100 1KV A.6.5-1			1.2/50-8/20µs2Ω+ 100 1.5KV A.6.5-1								
PoE Mode A and Mode B transverse testing	No										1.2/50-8/20µs2Ω+ 100+100Ω.5KV A.6.7-2	11.2/50-8/20µs 20+100+10 Ω4KV A.6.7-2	1.2/50-8/20µs2Ω+ 100+100Ω6KV A.6.7-2			
			Ethernet longitudinal common mode withstand test	No	11.2/50-8/20µs2Ω+ 5Ω 2.5KV A.6.7-3a			1.2/50-8/20µs2Ω+ 5Ω 6KV A.6.7-3a	11.2/50-8/20µs2Ω+ 5Ω 2.5KV A.6.7-3a			1.2/50-8/20µs2Ω+ 5Ω 6KV A.6.7-3a				

ITU-T K.21 (AUG 2022) Resistibility of telecommunication equipment installed in customer premises to voltages and overcurrents

Table 1a – Applicable tests for external ports

Test type	No. of pairs simultaneously tested	Test connections	Primary protection	Port type								
				Symmetric port		Symmetric port		Dedicated power feed port		Mains power port		
				Basic test levels (also see clause 7 of [ITU-T K.44])	Enhanced test levels (also see clauses 5 and 7 of [ITU-T K.44])	Basic test levels (also see clause 7 of [ITU-T K.44])	Enhanced test levels (also see clauses 5 and 7 of [ITU-T K.44])	Basic test levels (also see clause 7 of [ITU-T K.44])	Enhanced test levels (also see clauses 5 and 7 of [ITU-T K.44])	Basic test levels (also see clause 7 of [ITU-T K.44])	Enhanced test levels (also see clauses 5 and 7 of [ITU-T K.44])	
Lightning/voltage	Single	Transverse/differential	No	10/700µs 15+25Ω 1.5KV A.6.1-1 (a and b)	10/700µs 15+25Ω 1.5KV A.6.1-1 (a and b)	1.2/50 – 8/20µs 2Ω 1KVA.6.2-1	1.2/50 – 8/20µs 2Ω 1.5KV A.6.2-1	10/700µs 15+25Ω 1.5KV A.6.3-1 (a and b)	10/700µs 15+25Ω 1.5KV A.6.3-1 (a and b)	1.2/50µs 2Ω 2.5KV A.6.4-1	1.2/50µs 2Ω 6KV A.6.4-1	
		Port to earth	No	10/700µs 15+25Ω 1.5KV A.6.1-2	10/700µs 15+25Ω 6KV A.6.1-2	n/a	n/a	10/700µs 15+25Ω 1.5KV A.6.3-2	10/700µs 15+25Ω 6KV A.6.3-2	1.2/50µs 2Ω 2.5KV A.6.4-2	1.2/50µs 2Ω 6KV A.6.4-2	
		Port to external port	No	10/700µs 15+25Ω 1.5KV A.6.1-3	10/700µs 15+25Ω 6KV A.6.1-3	n/a	n/a	10/700µs 15+25Ω 1.5KV A.6.3-3	10/700µs 15+25Ω 6KV A.6.3-3	1.2/50µs 2Ω 2.5KV A.6.4-3	1.2/50µs 2Ω 6KV A.6.4-3	
		Coordination/Transverse/differential	Yes	10/700µs 15+25Ω 4KV A.6.1-1 (a and b)	10/700µs 15+25Ω 6KV A.6.1-1 (a and b)	1.2/50 – 8/20µs 2Ω 4KV A.6.2-1	1.2/50 – 8/20µs 2Ω 6KV A.6.2-1	10/700µs 15+25Ω 4KV A.6.3-1 (a and b)	10/700µs 15+25Ω 6KV A.6.3-1 (a and b)	1.2/50µs 2Ω 6KV A.6.4-1	1.2/50µs 2Ω 10KV A.6.4-1	
		Coordination/Port to earth	Yes	10/700µs 15+25Ω 4KV A.6.1-2	10/700µs 15+25Ω 6KV A.6.1-2	n/a	n/a	10/700µs 15+25Ω 4KV A.6.3-2	10/700µs 15+25Ω 6KV A.6.3-2	1.2/50µs 2Ω 6KV A.6.4-2	1.2/50µs 2Ω 10KV A.6.4-2	
		Coordination/Port to external port	Yes	10/700µs 15+25Ω 4KV A.6.1-3	10/700µs 15+25Ω 6KV A.6.1-3	n/a	n/a	10/700µs 15+25Ω 4KV A.6.3-3	10/700µs 15+25Ω 6KV A.6.3-3	1.2/50µs 2Ω 6KV A.6.4-3	1.2/50µs 2Ω 10KV A.6.4-3	
		Multiple	Port to earth	No	10/700µs 15+25Ω 1.5KV A.6.1-4	10/700µs 15+25Ω 1.5KV A.6.1-4	n/a	n/a	n/a	n/a	n/a	n/a
	Port to external port		No	10/700µs 15+25Ω 1.5KV A.6.1-5	10/700µs 15+25Ω 1.5KV A.6.1-5	n/a	n/a	n/a	n/a	n/a	n/a	
	Port to earth		Yes	10/700µs 15+25Ω 4KV A.6.1-4	10/700µs 15+25Ω 6KV A.6.1-4	n/a	n/a	n/a	n/a	n/a	n/a	
	Port to external port		Yes	10/700µs 15+25Ω 4KV A.6.1-5	10/700µs 15+25Ω 6KV A.6.1-5	n/a	n/a	n/a	n/a	n/a	n/a	
	Ethernet unshielded twisted pair (UTP _e)	Port to earth	No	1.2/50µs 2+10Ω 2.5KV A.6.7-4	1.2/50µs 2+10Ω 6KV A.6.7-4	n/a	n/a	n/a	n/a	n/a	n/a	
		Transverse/differential	No	1.2/50µs 2+10Ω+10Ω 2.5KV A.6.7-5	1.2/50µs 2+10Ω+10Ω 6KV A.6.7-5	n/a	n/a	n/a	n/a	n/a	n/a	
		Voltage impulse test	No	1.2/50µs 2+5Ω 2.5KV A.6.7-3a	1.2/50µs 2+5Ω 6KV A.6.7-3a	n/a	n/a	n/a	n/a	n/a	n/a	
		Power over Ethernet (PoE)	No	1.2/50µs 2+10Ω+10Ω 2.5KV A.6.7-2	1.2/50µs 2+10Ω+10Ω 6KV A.6.7-2	n/a	n/a	n/a	n/a	n/a	n/a	
	Ethernet shielded twisted pair (STP _e)	Shield to earth	No	1.2/50µs 2+5Ω 2.5KV A.6.7-6	1.2/50µs 2+5Ω 6KV A.6.7-6	n/a	n/a	n/a	n/a	n/a	n/a	
		Port to earth	No	1.2/50µs 2+10Ω 2.5KV A.6.7-4	1.2/50µs 2+10Ω 2.5KV A.6.7-4	n/a	n/a	n/a	n/a	n/a	n/a	
	Lightning current	Single	Port to earth	No	8/20µs A.6.1-2 1 kA/wire	8/20µs A.6.1-2 5 kA/wire	n/a	n/a	8/20µs A.6.3-2 1 kA/wire	8/20µs A.6.3-2 5 kA/wire	n/a	n/a
			Port to external port	No	8/20µs A.6.1-3 1 kA/wire	8/20µs A.6.1-3 5 kA/wire	n/a	n/a	8/20µs A.6.3-3 1 kA/wire	8/20µs A.6.3-3 5 kA/wire	n/a	n/a
		Multiple	Port to earth	No	8/20µs A.6.1-4 1 kA/wire limited 6KA	8/20µs A.6.1-4 5 kA/wire limited 30KA	n/a	n/a	n/a	n/a	n/a	n/a
			Port to external port	No	1.2/50µs 2+5Ω 2.5KV A.6.7-3a	1.2/50µs 2+5Ω 6KV A.6.7-3a	n/a	n/a	n/a	n/a	n/a	n/a
			Port to external port	No	8/20µs A.6.1-5 1 kA/wire limited 6KA	8/20µs A.6.1-5 5 kA/wire limited 30KA	n/a	n/a	n/a	n/a	n/a	n/a
			Transverse/differential	n/a	n/a	8/20µs A.6.2-1 1 kA	8/20µs A.6.2-1 5 kA	n/a	n/a	n/a	n/a	n/a

Test type	No. of pairs simultaneously tested	Test connections	Primary protection	Port type							
				Symmetric port		Symmetric port		Dedicated power feed port		Mains power port	
				Basic test levels (also see clause 7 of [ITU-T K.44])	Enhanced test levels (also see clauses 5 and 7 of [ITU-T K.44])	Basic test levels (also see clause 7 of [ITU-T K.44])	Enhanced test levels (also see clauses 5 and 7 of [ITU-T K.44])	Basic test levels (also see clause 7 of [ITU-T K.44])	Enhanced test levels (also see clauses 5 and 7 of [ITU-T K.44])	Basic test levels (also see clause 7 of [ITU-T K.44])	Enhanced test levels (also see clauses 5 and 7 of [ITU-T K.44])
Lightning current	Multiple	Shield to earth	n/a	n/a	8/20µs A.6.2-2 Mounted on a tower 4KA Others 2KA	8/20µs A.6.2-2 Mounted on a tower 20KA Others 5KA	n/a	n/a			
		Shield to external port	n/a	n/a	8/20µs A.6.2-3 Mounted on a tower 4KA Others 2KA	8/20µs A.6.2-3 Mounted on a tower 20KA Others 5KA	n/a	n/a			
Power induction and earth potential rise	Single	Transverse/differential	No	AC600V600Ω A.6.1-1(a and b) t=0.2s		Understudy		AC600V600Ω A.6.3-1(a and b) t=0.2s		n/a	
		Port to earth	No	AC600V600Ω A.6.1-2 t=0.2s		n/a		AC600V600Ω A.6.3-2 t=0.2s		5.2.1 under study	
		Port to external port	No	AC600V600Ω A.6.1-3 t=0.2s		n/a		AC600V600Ω A.6.3-3 t=0.2s		5.2.1 under study	
		Coordination Transverse/differential	Yes	AC600V600Ω A.6.1-1(a and b) t=1s	AC1500V200Ω A.6.1-1(a and b) t=2s	Understudy		AC600V600Ω A.6.3-1(a and b) t=1s	AC1500V200Ω A.6.3-1(a and b) t=2s	n/a	
		Coordination port to earth	Yes	AC600V600Ω A.6.1-2 t=1s	AC1500V200Ω A.6.1-2 t=2s	n/a		AC600V600Ω A.6.3-2 t=1s	AC1500V200Ω A.6.3-2 t=2s	n/a	
		Coordination port to external port	Yes	AC600V600Ω A.6.1-3 t=1s	AC1500V200Ω A.6.1-3 t=2s	n/a		AC600V600Ω A.6.3-3 t=1s	AC1500V200Ω A.6.3-3 t=2s	n/a	
Neutral potential rise	Single	Port to earth	No	n/a		n/a		n/a		AC600V600Ω A.6.4-2 t=1s	AC1500V200Ω A.6.4-2 t=1s
		Port to external port	No	n/a		n/a		n/a		AC600V600Ω A.6.4-3 t=1s	AC1500V200Ω A.6.4-3 t=1s
Mains power contact	Single	Transverse/differential	No	AC230V10/20/40/80/160/300/600/1000Ω A.6.1-1(a and b) t=15min		n/a		AC230V10/20/40/80/160/300/600/1000Ω A.6.3-1(a and b) t=15min		n/a	
		Port to earth	No	AC230V10/20/40/80/160/300/600/1000Ω A.6.1-2 t=15min		n/a		AC230V10/20/40/80/160/300/600/1000Ω A.6.3-2 t=15min		n/a	
		Port to external port	No	AC230V10/20/40/80/160/300/600/1000Ω A.6.1-3 t=15min		n/a		AC230V10/20/40/80/160/300/600/1000Ω A.6.3-3 t=15min		n/a	
		Ethernet port	No	A.6.7-3 500V DC 大于2MΩ							

Table 1b – Lightning test conditions for ports connected to internal cables

No. of pairs simultaneously tested	Test connection	Primary protection	Unshielded cable			Shielded cable			PoE feed			DC powered equipment		DC power source	
			Basic test levels (also see clause 7 of [ITU-T K.44])	Intermediate test levels (also see clause 7 of [ITU-T K.44])	Enhanced test levels (also see clauses 5 and 7 of [ITU-T K.44])	Basic test levels (also see clause 7 of [ITU-T K.44])	Intermediate test levels (also see clause 7 of [ITU-T K.44])	Enhanced test levels (also see clauses 5 and 7 of [ITU-T K.44])	Basic test levels (also see clause 7 of [ITU-T K.44])	Intermediate test levels (also see clause 7 of [ITU-T K.44])	Enhanced test levels (also see clauses 5 and 7 of [ITU-T K.44])	Basic test levels (also see clause 7 of [ITU-T K.44])	Enhanced test levels (also see clauses 5 and 7 of [ITU-T K.44])		
			Single	Shielded cable to earth	No				1.2/50-8/20µs 2Ω 1KV A.6.5-2		1.2/50-8/20µs 2Ω 1.5KV A.6.5-2				
USB shielded cable to earth	No					1.2/50-8/20µs 2Ω 100V A.6.5-2		1.2/50-8/20µs 2Ω 150V A.6.5-2							
Screen/shield connection high current test	No					1.2/50-8/20µs 2Ω+5Ω 2.5KV A.6.7-6	1.2/50-8/20µs 2Ω+5Ω 4KV A.6.7-6	1.2/50-8/20µs 2Ω+5Ω 6KV A.6.7-6							
Ethernet transverse/differential	No	1.2/50-8/20µs 2Ω 2.5KV A.6.7-5		1.2/50-8/20µs 2Ω 4KV A.6.7-5	1.2/50-8/20µs 2Ω 6KV A.6.7-5	1.2/50-8/20µs 2Ω 2.5KV A.6.7-5	1.2/50-8/20µs 2Ω 4KV A.6.7-5	1.2/50-8/20µs 2Ω 6KV A.6.7-5							
Twisted pair port transverse/differential	No	1.2/50-8/20µs 2Ω 1KV A.6.7-5			1.2/50-8/20µs 2Ω 1.5KV A.6.7-5	1.2/50-8/20µs 2Ω 1KV A.6.7-5		1.2/50-8/20µs 2Ω 1.5KV A.6.7-5							
DC powered equipment port	No										1.2/50-8/20µs 2Ω+10Ω+9µF 1KV A.6.6-1a	1.2/50-8/20µs 2Ω+10Ω+9µF 1.5KV A.6.6-1b			
DC power source port	No												1.2/50-8/20µs 2Ω+10Ω+9µF 1KV A.6.6-1b	1.2/50-8/20µs 2Ω+10Ω+9µF 1.5KV A.6.6-1b	
Multiple	Unshielded cable with symmetric pairs	No	1.2/50-8/20µs 2Ω+10Ω 1KV A.6.5-1		1.2/50-8/20µs 2Ω+10Ω 1.5KV A.6.5-1										
	PoE Mode A and Mode B transverse/differential testing	No						B1.2/50-8/20µs 2Ω+10Ω+1002.5KV A.6.7-2	1.2/50-8/20µs 2Ω+10Ω+1004KV A.6.7-2	1.2/50-8/20µs 2Ω+10Ω+100Ω 6KV A.6.7-2					
Ethernet longitudinal common mode withstand test	No	1.2/50-8/20µs 2Ω+5Ω 2.5KV A.6.7-3a	1.2/50-8/20µs 2Ω+5Ω 4KV A.6.7-3a	1.2/50-8/20µs 2Ω+5Ω 6KV A.6.7-3a											

GR1089-2:(2017) Electromagnetic Compatibility (EMC) and Electrical Safety - Generic Criteria for Network Telecommunications Equipment

First-Level Lightning Surge								
Surge Test Number	Port Types	Test Description	Min.Peak Open-Circuit Voltage (Volts)	Min. Peak Short-Circuit Current per Conductor (Amperes)	Surge Maximum Rise/Minimum Decay Time for Voltage and Current(μs)	Value of External Non-Inductive Resistors	Repetitions Each Polarity	Test Connections
1	1,3,3b/5b,5	Multiport OSP Test	±1000	25	10/360	N/A	5	Up to 24conductors
1.1	3b/5b	Short Loop OSP Interface	±1000	25	10/360	N/A	5	A
1.2	3b/5b	Short Loop OSP Interface - with Secondary Protectors	±Vs	25(at 1000 V)	10/360	N/A	5	A
1.3	3b/5b	Multi-port Short Loop OSP Interface w/o Primary Protection						
2	1,3,5	OSP Interface	±100 to ±1000	10(at 100 V) to 100(at 1000 V)	10/1000	N/A	5 at each voltage increment	A
2.1	1,3,5	Extended OSP Interface	±100 to ±2000	10(at 100 V) to 100(at 2000 V)	10/1000	N/A	5 at each voltage increment	A
2.2	1,3,5	OSP Interface-with Secondary Protectors	±Vs	100(at 1000 V)	10/1000	N/A	5	A
3	1,3,5,3a/5a,3b/5b,	Gas Tube Interaction Test	±4000	See Figure 4-6	10/700 voltage 5/320 current	25	5	(A5 and A6) or B
4	1,3,5	Inductive Kick Test for OSP Interfaces	±1500	300	2/10	N/A	10	See Figure 4-1
5	3,3b/5b,5	Fast Rise Time Test for Remote OSP Interfaces	±1000	200	2/10	N/A	5	A
6	3,5	Higher Ground Resistance for Remote OSP Interfaces-Longitudinal	±1000	100	10/1000	N/A	5	A5, A6
7	3,5	High Lightning Exposure Test for Remote OSP Interfaces	±400 to ±4000	50 (at 400 V) to 500(at 4000 V)	10/250	N/A	5 at each voltage increment	B
8	2,3a/5a,4,4a	Intra-Building with up to 2 Pairs per Port (Metallic)	±800	100	2/10	N/A	Repetitions each polarity may be 5 on 1 sample, or 1 on 3 samples.	A1, A2, A3,A4
8.1	2,3a/5a,4,4a	Intra-Building with Secondary Protectors up to 2 Pairs per Port (Metallic)	±Vs	100 (at 800 V)	2/10	N/A	Repetitions each polarity may be 5 on 1 sample, or 1 on 3 samples.	A1, A2, A3,A4
9	2,4,4a	Intra-Building with up to 2 Pairs per Port (Longitudinal)	±1500	100	2/10	N/A	Repetitions each polarity may be 5 on 1 sample, or 1 on 3 samples.	B
9.1	2,4,4a	Intra-building with Secondary Protectors up to 2 Pairs per Port (Longitudinal)	±Vs	100 (at 1500 V)	2/10	N/A	Repetitions each polarity may be 5 on 1 sample, or 1 on 3 samples.	B
10	2,3a/5a,4,4a	Alternative Intra-Building for up to 2 Pairs per Port (Metallic)	±800	400	1.2/50-8/20	6	Repetitions each polarity may be 5 on 1 sample, or 1 on 3 samples.	A1, A2, A3,A4
10.1	2,3a/5a,4,4a	Alternative Intra-Building with Secondary Protectors up to 2 Pairs per Port (Metallic)	±Vs	Vs/2	1.2/50-8/20	6	Repetitions each polarity may be 5 on 1 sample, or 1 on 3 samples.	A1, A2, A3,A4
11	2,4,4a	Alternative Intra-Building up to 2 Pairs per Port (Longitudinal)	±1500	750	1.2/50-8/20	10	Repetitions each polarity may be 5 on 1 sample, or 1 on 3 samples.	B
11.1	2,4,4a	Alternative Intra-Building Undervoltage up to 2 Pairs per Port (Longitudinal)	±Vs	Vs/2	1.2/50-8/20	10	Repetitions each polarity may be 5 on 1 sample, or 1 on 3 samples.	B
12	2,3a/5a,4,4a	Intra-Building for 3 or 4 Pairs per Port (Metallic)	±800	400	1.2/50-8/20	6	Repetitions each polarity may be 5 on 1 sample, or 1 on 3 samples.	Test per Figure 4-10
12.1	2,3a/5a,4,4a	Intra-Building with Secondary Protectors, 3 or 4 Pairs per Port (Metallic)	±Vs	Vs/2	1.2/50-8/20	6	Repetitions each polarity may be 5 on 1 sample, or 1 on 3 samples.	Test per Figure 4-10
13	2,4,4a	Intra-Building 3 or 4 Pairs per Port (Longitudinal)	±1500	750	1.2/50-8/20	20	Repetitions each polarity may be 5 on 1 sample, or 1 on 3 samples.	B

Surge Test Number	Port Types	Test Description	Min.Peak Open-Circuit Voltage (Volts)	Min. Peak Short-Circuit Current per Conductor (Amperes)	Surge Maximum Rise/Minimum Decay Time for Voltage and Current(μs)	Value of External Non-Inductive Resistors	Repetitions Each Polarity	Test Connections
13.1	2,4,4a	Intra-Building Undervoltage 3 or 4 Pairs per Port (Longitudinal)	±Vs	Vs/2	1.2/50-8/20	20	Repetitions each polarity may be 5 on 1 sample, or 1 on 3 samples.	B
14	2,3a/5a,4,4a	Intra-Building for > 4 Pairs per Port (Metallic)	±800	400	1.2/50-8/20	6	Repetitions each polarity may be 5 on 1 sample, or 1 on 3 samples.	Test per Figure 4-10
14.1	2,3a/5a,4,4a	Intra-Building with Secondary Protectors, > 4 Pairs per Port (Metallic)	±Vs	Vs/2	1.2/50-8/20	6	Repetitions each polarity may be 5 on 1 sample, or 1 on 3 samples.	Test per Figure 4-10
15	2,4,4a	Intra-Building for > 4 Pairs per Port (Longitudinal)	±1500	750	1.2/50-8/20	40	Repetitions each polarity may be 5 on 1 sample, or 1 on 3 samples.	B
15.1	2,4,4a	Intra-Building with Secondary Protectors for > 4 Pairs per Port (Longitudinal)	±Vs	Vs/2	1.2/50-8/20	40	Repetitions each polarity may be 5 on 1 sample, or 1 on 3 samples.	B
16	2,3a/5a,4,4a	Intra-Building for Paired Shielded Cables	±1500	750	1.2/50-8/20	2	Repetitions each polarity may be 5 on 1 sample, or 1 on 3 samples.	See Figure 4-12
17	2,3a/5a,4,4a	Intra-Building for Coaxial	±1500	750	1.2/50-8/20	3	Repetitions each polarity may be 5 on 1 sample, or 1 on 3 samples.	See Figure 4-13
18	4a	Customer Side ONT Interfaces	±1000	100	10/1000	N/A	5	A5, A6
18.1	4a	Customer Side ONT Interfaces	±6000	3000	1.2/50-8/20	N/A	5	B
19	6	Antenna Port Test	±600	300	1.2/50-8/20	N/A	5	Center conductor to shield
19.1	6	Antenna Port with Secondary Protector Test	±Vs	300(at 600 V)	1.2/50-8/20	N/A	5	Center conductor to shield
20	7	AC Power Port Test with External SPD	±2000	1000	1.2/50-8/20	N/A	5	Phase to neutral, phase to ground, neutral to ground
21	7	AC Power Port Test with External SPD	±6000	3000	1.2/50-8/20	N/A	5	Phase to neutral, phase to ground, neutral to ground
22	8a	Tower Mounted Transceiver Fed with Remote DC Power Test (Longitudinal)	±6000	Minimum peak short-circuit current per port is 3000 A.	1.2/50-8/20	N/A	5	See Figure 4-15. Feed and return to shield simultaneously
23	8,8b	DC Power port	±2500	Minimum peak short-circuit current per port is 5000 A.	1.2/50-8/20	N/A	5	B

1=CO OSP Cable Ports, 2=CO Intra-building Cable Ports, 3=Customer Location OSP Cable Ports, 3a/5a=Intra-Cell Site Cable Ports, 3b/5b=Short Reach OSP Cable Ports, 4=Non-CO Intra-Building Ports, 4a=Customer-Side Optical Network Terminals (ONTs) and Intelligent Network Interface Devices (iNIDs) Cable Ports, 5=OSP Site OSP Cable Ports, 6=Antenna Ports, 7=AC Power Ports, 8=DC Power Ports, 8a=DC Power to Antenna, 8b=Intra-Cell Site DC Power

Second-Level Lightning Surge							
Surge Test Number	Port Types	Test Description	Min. Peak Open -Circuit Voltage (Volts)	Min. Peak Short-Circuit Current per Conductor (Amperes)	Surge Maximum Rise/Minimum Decay Time for Voltage and Current(μs)	Repetitions Each Polarity	Test Connections
1	1,3,5	Inductive Kick Test for OSP Interfaces	±5000	500	2/10	1	See Figure 4-2
2	7	Lightning to AC Power Port	±6000	3000	1.2/50-8/20	1	Phase conductors to neutral, phase conductors to ground, neutral conductor to ground

1=CO OSP Cable Ports, 3=CO Intra-building Cable Ports, 5=OSP Site OSP Cable Ports, 7=AC Power Ports,

ISO7637-2:2011 Road vehicles --Electrical disturbances from conduction and coupling--Part 2: Electrical transient conduction along supply lines only

Examples of test pulse severity levels for nominal 12V and 24V system										
Test pulse ^a	Selected test level ^b	Test pulse severity level, Us ^{c,d} (V)						Min. number of pulses or test time	Burst cycle/pulse repetition tim ^e	
		IV		III		I/II				
		12	24	12	24	12	24		min.	max.
1		-150	-600	-112	-450	-75	-300	500Pulses	0.5s	e
2a		+112	+112	+55	+55	+37	+37	500Pulses	0.2s	5s
2b		+10	+20	+10	+20	+10	+20	10Pulses	0.5s	5s
3a		-220	-300	-165	-220	-112	-150	1h	90ms	100ms
3a		+150	+300	+112	+220	+75	+150	1h	90ms	100ms

a: Test pulses as in 5.6
 b: Values agreed between vehicle manufacturer and equipment supplier.
 c: The amplitudes are the values of Us as defined for each test pulse in 5.6.
 d: The former levels I and II are revised because they did not ensure sufficient immunity in subsequent road vehicles' design.
 e: The maximum pulse repetition time shall be chosen such that it is the minimum time for the DUT to be correctly initialized before the application of the next pulse and shall be $\geq 0.5S$.

ISO16750-2:2012 Road vehicles -- Environmental conditions and testing for electrical and electronic equipment -- part 2: electrical loads

Starting profile values for systems with 12V and 24V nominal voltage								
Parameter		Level						
		I		II		III		IV
		12V	24V	12V	24V	12V	24V	12V
Voltage V	U _{se}	8(-0.2)	10(-0.2)	4.5(-0.2)	8(-0.2)	3(-0.2)	6(-0.2)	6(-0.2)
	U _s	9.5(-0.2)	20(-0.2)	6.5(-0.2)	15(-0.2)	5(-0.2)	10(-0.2)	6.5(-0.2)
Duration ms	t _f	5(±0.5)	10(±1)	5(±0.5)	10(±1)	5(±0.5)	10(±1)	5(±0.5)
	t ₇	15(±1.5)	50(±5)	15(±1.5)	50(±5)	15(±1.5)	50(±5)	15(±1.5)
	t ₇	50(±5)	50(±5)	50(±5)	50(±5)	50(±5)	50(±5)	50(±5)
	t ₈	1000(±100)	1000(±100)	10000(±1000)	1000(±100)	1000(±100)	1000(±100)	10000(±1000)
	t _r	40(±4)	40(±4)	100(±10)	100(±10)	100(±10)	40(±10)	100(±10)
Minimum functional status	A ^a	A ^e	B ^a	B ^e	B ^a	B ^e	A ^a	
	A ^b	B ^f	B ^b	C ^f	C ^b	C ^f	B ^b	
	B ^c	B ^g	C ^c	C ^g	C ^c	C ^g	C ^c	
	B ^d	B ^h	C ^d	C ^h	C ^d	C ^h	C ^d	

a: U_s min = 6 V; U_s max = 16 V (see Table 1, Code A).
 b: U_s min = 8 V; U_s max = 16 V (see Table 1, Code B).
 c: U_s min = 9 V; U_s max = 16 V (see Table 1, Code C).
 d: U_s min = 10.5 V; U_s max = 16 V (see Table 1, Code D).
 e: U_s min = 10 V; U_s max = 32 V (see Table 2, Code E).
 f: U_s min = 16 V; U_s max = 32 V (see Table 2, Code F).
 g: U_s min = 22 V; U_s max = 32 V (see Table 2, Code G).
 h: U_s min = 18 V; U_s max = 32 V (see Table 2, Code H).

Pulse for test A in systems with 12 V and 24 V nominal voltage			
Parameter	Type of system		Minimum test requirements
	U _N =12V	U _N =24V	
U _s ^a (V)	79 ≤ U _s ≤ 101	151 ≤ U _s ≤ 202	10 pulses at 1 min intervals
R _i ^a (Ω)	0.5 ≤ R _i ≤ 4	1 ≤ R _i ≤ 8	
t _d (ms)	40 ≤ t _d ≤ 400	100 ≤ t _d ≤ 350	
t _d (ms)	10($\frac{0}{5}$)	10($\frac{0}{5}$)	

a: If not otherwise agreed, use the higher voltage level with the higher value for internal resistance, or use the lower voltage level with the lower value for internal resistance.

IEC61000-4-5:2014 Electromagnetic compatibility (EMC) –Part 4-5: Testing and measurement techniques – Surge immunity test

Installation class	Test levels (kV)																			
	AC power supply and a.c. I/O				DC power supply and d.c. I/O				Unsymmetrical operated circuits/lines ^{a,d,e}				Symmetrical operated circuits/lines ^{a,d,e}				Shielded circuits/lines ^{a,d,f}			
	External ports ^a		Internal ports ^{a,d}		External ports ^a		Internal ports ^{a,d}		External port		Internal port		External port		Internal port		External port		Internal port	
	Line to line	Line to ground	Line to line	Line to ground	Line to line	Line to ground	Line to line	Line to ground	Line to line	Line to ground	Line to line	Line to ground	Line to line	Line to ground	Line to line	Line to ground	Line to line	Line to ground	Line to line	Line to ground
0	/	/	/	/	/	/	/	/	/	/	/	/	/	/	/	/	/	/	/	/
1	/	0.5	/	/	/	/	/	/	/	/	/	0.5	/	/	/	0.5	/	/	/	/
2	0.5	1.0	/	/	/	/	/	/	/	/	0.5	1.0	/	/	/	1.0	/	/	/	0.5
3	1.0	2.0	1.0	2.0	/	/	/	/	/	/	1.0	2.0	/	/	/	2.0	/	/	/	2.0
4	2.0 ^b	4.0 ^b	2.0 ^b	4.0 ^b	2.0 ^b	4.0 ^b	2.0 ^b	4.0 ^b	2.0 ^b	4.0 ^b	2.0 ^b	4.0 ^b	/	4.0 ^b	/	4.0 ^b	/	4.0 ^b	/	4.0 ^b
5	^{c,b}	^{c,b}	2.0 ^b	4.0 ^b	2.0 ^b	4.0 ^b	2.0 ^b	4.0 ^b	2.0 ^b	4.0 ^b	2.0 ^b	4.0 ^b	/	4.0 ^b	/	4.0 ^b	/	4.0 ^b	/	4.0 ^b

a: No test is advised if the cable length is shorter than or equal to 10 m.
 b: Where the port is always intended to be used with specified primary protection, testing is performed with the primary protection in place to ensure coordination with the protection elements. If primary protection is required to protect the interface but not provided, testing is also performed at the maximum let through level of the specified primary protection and with a typical primary protector.
 c: Depends on the class of the local power supply system.
 d: The testing of intra-system ports is generally not required.
 e: Line-to-line surges (transverse) may occur in networks where SPDs (surge protective devices) with connection to ground are used for protection. Such surges are outside the scope of this standard. This phenomenon can however be simulated by applying common mode surges through the defined primary protection elements.
 f: The testing of ports connecting to antennas is outside the scope of this standard.

IEC61000-4-4:2012 Electromagnetic compatibility (EMC) – Part 4-4: Testing and measurement techniques – Electrical fast transient/burst immunity test

Open circuit output test voltage and repetition frequency of the impulses				
Level	Power ports, earth port (PE)		Signal and control ports	
	Voltage peak kV	Repetition frequency kHz	Voltage peak kV	Repetition frequency kHz
1	0.5	5 or 100	0.25	5 or 100
2	1	5 or 100	0.25	5 or 100
3	2	5 or 100	1	5 or 100
4	4	5 or 100	2	5 or 100
X ^a	Special	Special	Special	Special

The use of 5 kHz repetition frequency is traditional, however, 100 kHz is closer to reality. Product committees should determine which frequencies are relevant for specific products or product types.
 With some products, there may be no clear distinction between power ports and signal ports, in which case it is up to product committees to make this determination for test purposes.
 a: "X" can be any level, above, below or in between the others. The level shall be specified in the dedicated equipment specification.

IEC61000-4-2:2008 Electromagnetic compatibility (EMC) – Part 4-2: Testing and measurement techniques – Electrostatic discharge immunity test

Contact discharge		Air discharge	
Level	Test voltage KV	Level	Test voltage KV
1	2	1	2
2	4	2	4
3	6	3	8
4	8	4	15
x ^a	Special	x ^a	Special

a: "x" can be any level, above, below or in between the others. The level shall be specified in the dedicated equipment specification. If higher voltages than those shown are specified, special test equipment may be needed.

UL60950-1:2013 Information Technology Equipment – Safety – Part 1: General Requirements

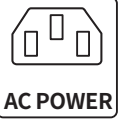
Test voltages for electric strength tests based on peak working voltages part 1							
Grade of insulation	Points of application (as appropriate)						
	PRIMARY CIRCUIT to BODY PRIMARY CIRCUIT to SECONDARY CIRCUIT between Parts in PRIMARY CIRCUIT					SECONDARY CIRCUIT to BODY between independent SECONDARY CIRCUITS	
	WORKING VOLTAGE V _{PEAK} OR DC					WORKING VOLTAGE V	
	U ≤ 210V _{peak} or d.c. ²⁾	210V < U ≤ 420V _{peak} or d.c. ³⁾	420 < U ≤ 1.41KV _{peak} or d.c.	1.41KV < U ≤ 10KV _{peak} or d.c. ⁴⁾	10KV < U ≤ 50KV _{peak} or d.c.	U ≤ 42.4V _{peak} or 60V d.c.	42.4V _{peak} or 60Vd.c. < U ≤ 10KV _{peak} or d.c. ⁵⁾
Test voltage, volts r.m.s.1)							
FUNCTIONAL	1000	1500	See Va in table 5B, Part2	See Va in table 5B, Part2	1.06U	500	See Va in table 5B, Part2
BASIC, SUPPLEMENTARY	1000	1500	See Va in table 5B, Part2	See Va in table 5B, Part2	1.06U	no test	See Va in table 5B, Part2
REINFORCED	2000	3000	3000	See Vb in table 5B, Part2	1.06U	no test	See Vb in table 5B, Part2

1) For WORKING VOLTAGES exceeding 10KV_{peak} or d.c. in SECONDARY CIRCUITS, the same test voltage as for PRIMARY CIRCUITS apply.
 2) Use this column for unearthed DC MAINS SUPPLIES up to and including 210V d.c..
 3) Use this column for unearthed DC MAINS SUPPLIES over 210V d.c. up to and including 420V d.c..
 4) Use this column for unearthed DC MAINS SUPPLIES over 420 V d.c..
 5) Use these columns for d.c. derived within the equipment from an AC MAINS SUPPLIES, or for DC MAINS SUPPLIES that are earthed within the same building.

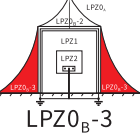
Equipment V Ports

Trade	Equipment	Port								
		RJ11	RJ45	RS485	AC	DC	HDMI	USB	Coaxial	ECGcable
Telecommunication	xDSL modem	●	●			●				
	Cable modem		●			●			●	
	Telephone	●								
	Splitter	●								
	Router		●			●				
	RRU		●	●	●	●				
	Corded Phone	●								
	Cordless Phone	●				●				
	IP Phone	●				●				
	Micro Power Cell Base Station	●	●		●	●				
	VoIP Telephone Adapter	●								
	Wireless LAN Access Point		●		●	●				
	BBU		●	●	●	●				
	Telephone switchboard	●				●				
	Network switch		●			●				
	NXU IAD VOIP PSTN	●	●		●	●				
	Television		●				●	●	●	
	Consumer Electronics	Personal computer		●		●	●	●	●	
Printer		●	●		●	●	●	●		
Set top box			●				●	●	●	
Digital Multimedia Broadcast Receiver					●	●	●	●	●	
Digital Still and Video Camera					●	●	●	●		
DVD Player and Recorder					●	●	●	●		
LCD Projector			●		●	●	●	●		
LCD TV			●		●	●	●	●		
LED driver					●	●				
POS		●	●		●	●				
Industrial	Parking management		●	●	●	●				
	Outdoor LED Lighting		●		●	●				
	Power Line Network			●	●	●				
	Power Supply				●	●				
	Satellite Radio				●	●				
	SMPS Embedded				●	●				
	SMPS External				●	●				
	Clothes Dryer				●	●				
	Dishwasher				●	●				
	Electric Inductive Cooktop				●	●				
	Electric Range Oven				●	●				
	Electric Resistive Cooktop				●	●				
	Gas Cooktop				●	●				
	Gas Range Oven				●	●				
	Microwave Oven				●	●				
	Range Hood				●	●				
	Refrigerator				●	●				
	Room AC				●	●				
	Solar Power System (Residential)			●	●	●				
	Washing Machine				●	●				
Security	Camera		●	●	●	●	●	●	●	
	NVR/DVR		●	●	●	●	●	●	●	
Medical	ECG monitor				●					●
	Navigator					●		●		
Automobile	Body control system					●				
	Audio and video entertainment system					●	●			
	Automobile air-condition					●				
	Display instrument					●				

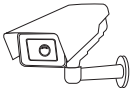
AC 24V/DC12V



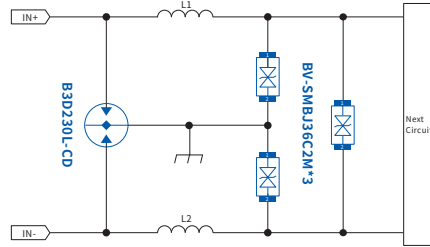
AC POWER



LPZO_B-3



Camera

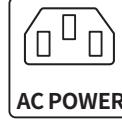


Test Level: 1.2/50 μ s-8/20 μ s
CM/DM 6kV-500A DM4kV-2kA

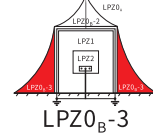
B3D230L-CD
7.8x5.0x6.0mm
Page 43

BV-SMBJ36C2M
5.45x3.75x2.6mm
Page 117

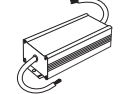
AC 90-264V



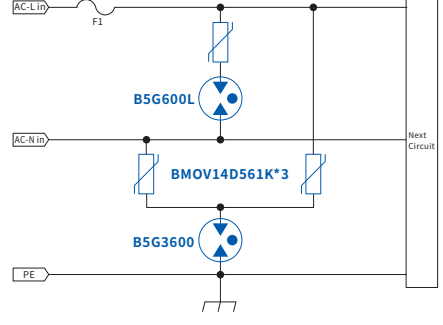
AC POWER



LPZO_B-3



Adapter



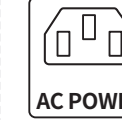
Test Level: 1.2/50 μ s-8/20 μ s
CM/DM 6kV-3kA Hipot AC1875V

B5G600L
 Φ 5.5x6.0mm
Page 43

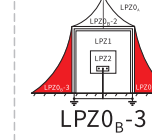
B5G3600
 Φ 5.5x6.0mm
Page 43

BMOV14D561K
 Φ 18.0x13.5mm
Page 65

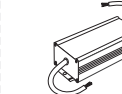
AC 90-264V



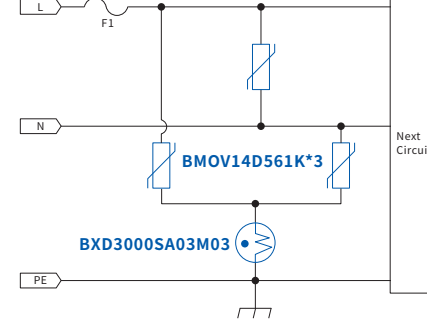
AC POWER



LPZO_B-3



Adapter

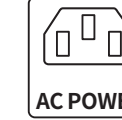


Test Level: 1.2/50 μ s-8/20 μ s
CM/DM 6kV-3kA Hipot AC1875V

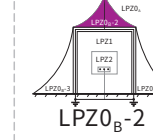
BXD3000SA03M03
8.8x6.2x8.5mm
Page 45

BMOV14D561K
 Φ 18.0x13.5mm
Page 65

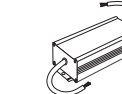
AC 90-305V



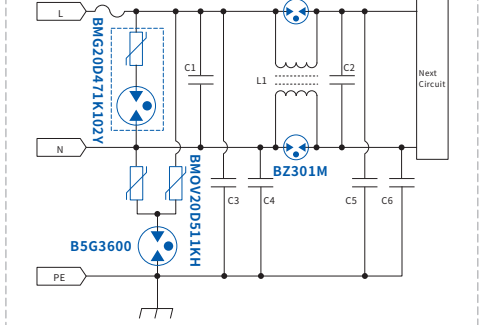
AC POWER



LPZO_B-2



Adapter



Test Level: 1.2/50-8/20 μ s DM/10kV-5kA CM/10kV-850A

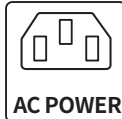
B5G3600
 Φ 5.5x6.0mm
Page 43

BZ301M
3.2x2.5x2.5mm
Page 39

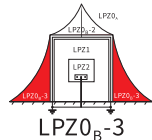
BMG20D471K102Y
 Φ 23.0x12.8
Page 59

BMOV14D511KH
 Φ 18.0x13.5mm
Page 65

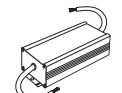
AC 90-264V



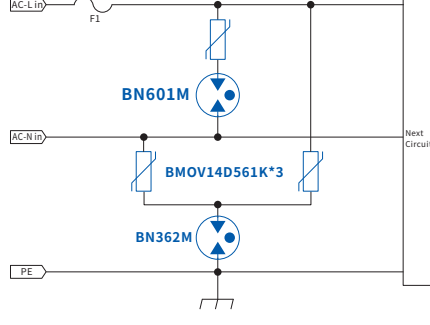
AC POWER



LPZO_B-3



Adapter



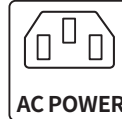
Test Level: 1.2/50 μ s-8/20 μ s
CM/DM 6kV-3kA Hipot AC1875V

BN601M
5.5x4.0x4.0mm
Page 41

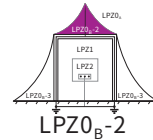
BN362M
5.5x4.0x4.0mm
Page 41

BMOV14D561K
 Φ 18.0x13.5mm
Page 65

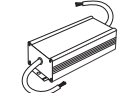
AC 90-264V



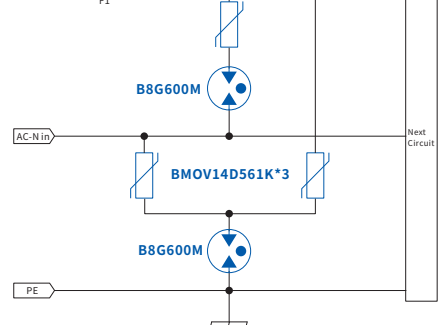
AC POWER



LPZO_B-2



Adapter

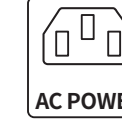


Test Level: 1.2/50 μ s-8/20 μ s CM/DM 10kV-5kA

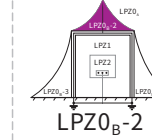
B8G600M
 Φ 8.0x6.0mm
Page 43

BMOV14D561K
 Φ 23.0x12.8
Page 65

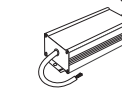
AC 90-264V



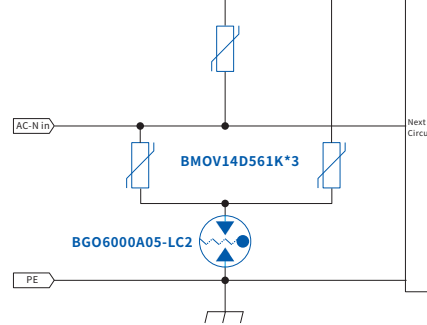
AC POWER



LPZO_B-2



Adapter

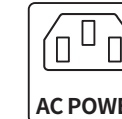


Test Level: 1.2/50 μ s-8/20 μ s
CM/DM 10kV-5kA **Failsafe**

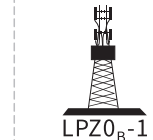
BGO6000A05-LC2
 Φ 8.0x7.0mm
Page 45

BMOV14D561K
 Φ 18.0x13.5mm
Page 65

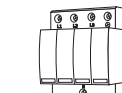
AC 380V For SPD



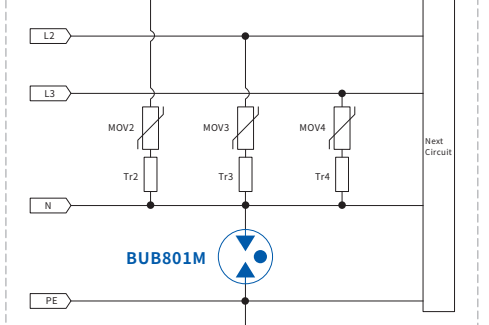
AC POWER



LPZO_B-1



SPD



Test Level: 8/20 μ s CM/DM 20kA

BUB801M
 Φ 16x4.6mm
Page 45

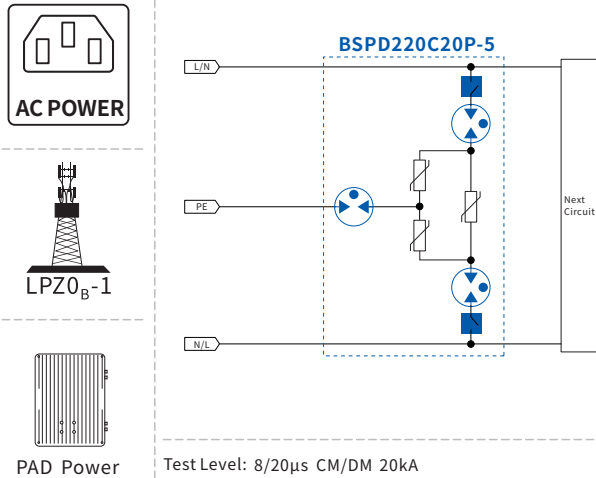
Notes: CM=Common Mode / DM=Differential Mode

Statement: This solution is only for reference, the final solution will be based on the actual test results. Shenzhen Bencent Electronics Co.,Ltd reserves the right of final explanation.

Notes: CM=Common Mode / DM=Differential Mode

Statement: This solution is only for reference, the final solution will be based on the actual test results. Shenzhen Bencent Electronics Co.,Ltd reserves the right of final explanation.

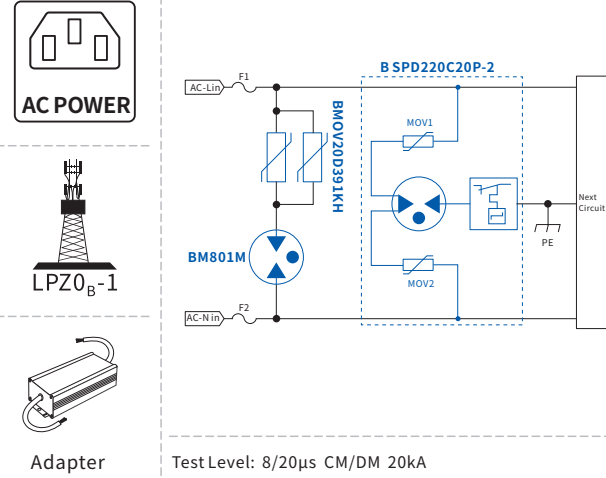
AC 90-250V



BSPD220C20P-5
41.6x31x38.2mm
Page 47

NEW

AC 90-300V



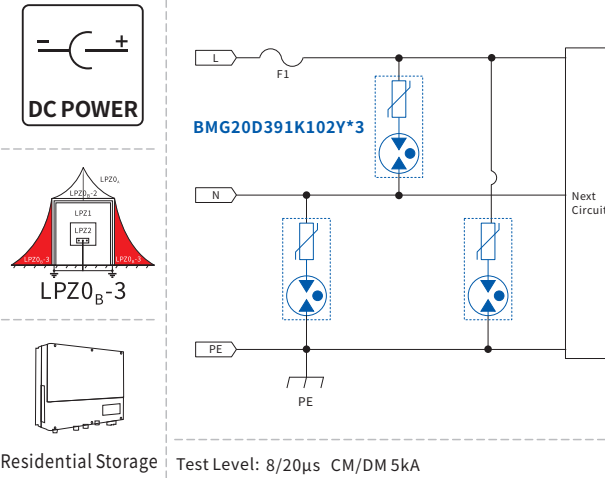
BSPD220C20P-2
41x30.5x27.2mm
Page 47

BM801M
8.3x8.3x6.0mm
Page 43

BMOV20D391KH
Φ23.0x12.8
Page 67

NEW

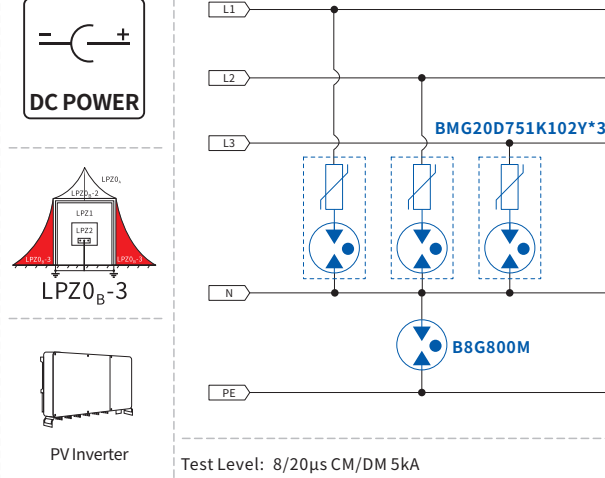
AC 230V PV



BMG20D391K102Y
Φ23.0x12.8mm
Page 59

NEW

AC 380V PV

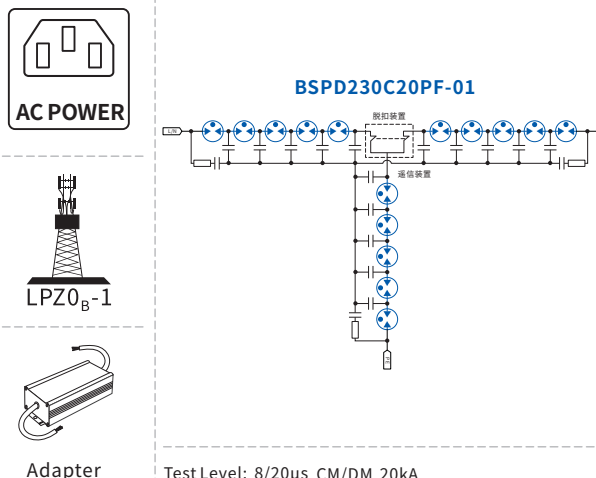


BMG20D751K102Y
Φ23.0x12.8mm
Page 59

B8G800M
Φ8.0x6.0mm
Page 43

NEW

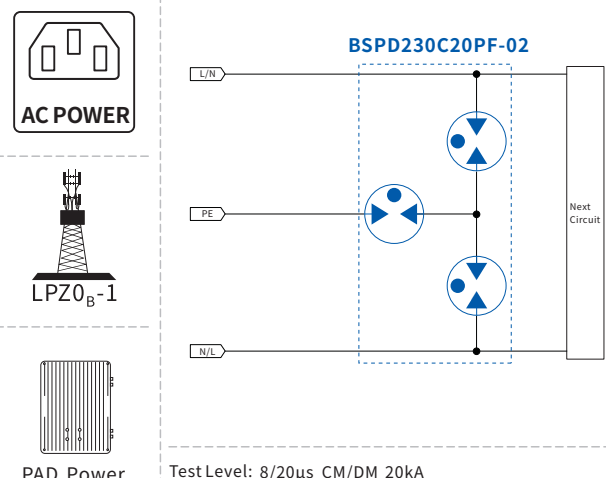
AC 90-250V



BSPD230C20PF-01
40.8x38x18.8mm
Page 47

NEW

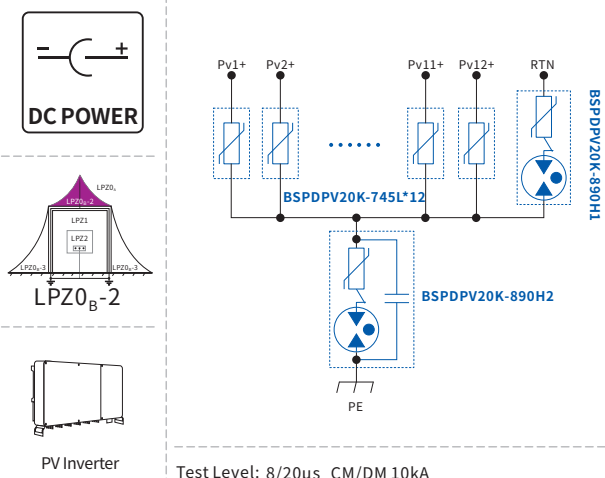
AC 90-264V



BSPD230C20PF-02
38.5x16.4x24mm
Page 47

NEW

AC 1500V PV



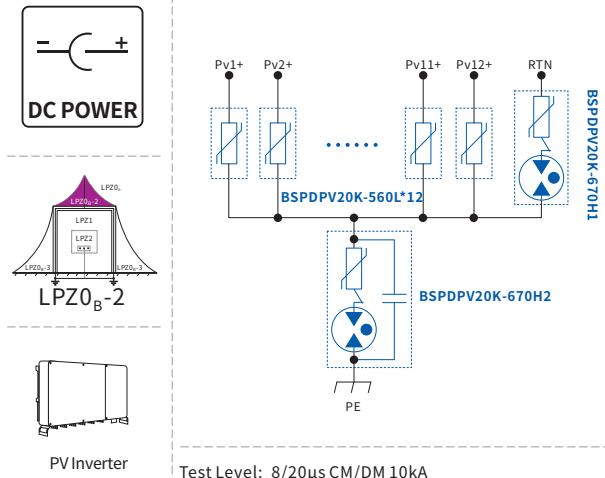
BSPDPV20K-745L
33.5x12.0x30.0mm
Page 49

BSPDPV20K-890H1
34.2x14.3x30.3mm
Page 49

BSPDPV20K-890H2
18.3x14.0x7.0mm
Page 49

NEW

DC 1100V PV



BSPDPV20K-560L
33.5x12.0x30.0mm
Page 49

BSPDPV20K-670H1
34.2x14.3x30.3mm
Page 49

BSPDPV20K-670H2
18.3x14.0x7.0mm
Page 49

NEW

Notes: CM=Common Mode / DM=Differential Mode
Statement: This solution is only for reference, the final solution will be based on the actual test results. Shenzhen Bencent Electronics Co.,Ltd reserves the right of final explanation.

Notes: CM=Common Mode / DM=Differential Mode
Statement: This solution is only for reference, the final solution will be based on the actual test results. Shenzhen Bencent Electronics Co.,Ltd reserves the right of final explanation.

DC 550V PV

NEW

DC POWER

Residential Storage

Test Level: 8/20μs CM/DM 5kA

BMG20D751K102Y
Φ23.0x12.8
Page 59

DC 60V

NEW

DC POWER

BMS

Test Level: 1.2/50μs-8/20μs CM/DM 4kV-2kA

BV-5SMDJ85CA-1
8.25x6.15x2.95mm
Page 119

DC 48V

DC POWER

RRU

Test Level: 8/20μs CM/DM 20kA

BD122-2
16.5x8.3x9.5mm
Page 43

BM091M
8.3x8.3x6.0mm
Page 43

BV-SMKJ75CA
10.5x8.2x2.2mm
Page 117

DC 48V

NEW

DC POWER

AAU

Test Level: 8/20μs 10kA CM/DM 10kA

BV-SMEJ76CA-H
18.3x16.0x7.5mm
Page 119

BM091M
8.3x8.3x6.0mm
Page 43

DC 48V

DC POWER

BBU

Test Level: 1.2/50μs-8/20μs CM/DM 2kV-1kA

BV-SMCT-58CA
8.0x5.9x2.0mm
Page 117

DC 48V

NEW

DC POWER

AAU

Test Level: 8/20μs 10kA

BVO-SMG76CA
18.3x14.0x7.5mm
Page 123

DC 48V

DC POWER

AAU

Test Level: 8/20μs 10kA

BVS-SMEJ8685CA-H
18.3x14.0x7.0mm
Page 121

DC 48V

DC POWER

Outdoor AP

Test Level: 8/20μs CM/DM 3kA

BV-SMKJ75CA
10.5x8.2x2.2mm
Page 117

Notes: CM=Common Mode / DM=Differential Mode

Statement: This solution is only for reference, the final solution will be based on the actual test results. Shenzhen Bencent Electronics Co.,Ltd reserves the right of final explanation.

Notes: CM=Common Mode / DM=Differential Mode

Statement: This solution is only for reference, the final solution will be based on the actual test results. Shenzhen Bencent Electronics Co.,Ltd reserves the right of final explanation.

DC 30V

DC POWER

30V F1 L1 C Next Circuit

B3D350M-R-1

LPZ0_{B-2}

AISG

Test Level: 8/20μs CM/DM 3kA

B3D350M-R-1
7.8x5.0x6.0mm
Page 45

BV-SMBJ58C2H
5.45x3.75x2.6mm
Page 119

DC 24V

DC POWER

24V F1 Next Circuit

BV-SMAJ36CA

LPZ2

PLC

Test Level: 1.2/50μs-8/20μs 300V-150A

BV-SMAJ36CA
5.25x2.85x2.5mm
Page 83

DC 24V IN CAR

DC POWER

DC+ F1 Next Circuit

BV-SM8S36A

LPZ2

Vehicle

Test Level: P5a 101V 4Ω 400ms

BV-SM8S36A
15.5x10.0x4.9mm
Page 117

DC 12V IN CAR

DC POWER

12V F1 D1 Next Circuit

BV-SMCJ33CAQ

LPZ2

Vehicle

Test Level: P5b 35V 0.5Ω 400ms

BV-SMCJ33CAQ
8.25x6.15x2.95mm
Page 109

DC 12V

DC POWER

12V F1 L1 C Next Circuit

BC301N-D

BV-SMBJ15CAH

LPZ0_{B-3}

Camera

Test Level: 1.2/50μs-8/20μs CM/DM 4kV-2kA

BC301N-D
4.5x3.2x2.7mm
Page 41

BV-SMBJ15CAH
5.45x3.75x2.6mm
Page 117

DC 12V

DC POWER

12V F1 Next Circuit

BV-SMBT-20CA

LPZ1

Camera

Test Level: 1.2/50μs-8/20μs CM/DM 2kV-1kA

BV-SMBT-20CA
5.4x3.3x2.0mm
Page 117

DC 12V IN CAR

DC POWER

DC+ F1 Next Circuit

BV-SM8S24A

LPZ2

Vehicle

Test Level: P5a 101V 2Ω 400ms

BV-SM8S24A
15.6x10.0x5.0mm
Page 117

DC 9V

DC POWER

9V F1 Next Circuit

BV-SMAJ12CA

LPZ1

POS

Test Level: 1.2/50μs-8/20μs CM/DM 500V-41A

BV-SMAJ12CA
5.25x2.85x2.5mm
Page 83

Notes: CM=Common Mode / DM=Differential Mode

Statement: This solution is only for reference, the final solution will be based on the actual test results. Shenzhen Bencent Electronics Co.,Ltd reserves the right of final explanation.

Notes: CM=Common Mode / DM=Differential Mode

Statement: This solution is only for reference, the final solution will be based on the actual test results. Shenzhen Bencent Electronics Co.,Ltd reserves the right of final explanation.

DC 5V

DC POWER

BV-FE07ZA

LPZ2

Vape

Test Level: 1.2/50 μ s-8/20 μ s CM/DM 200V-100A

BV-FE07ZA
1.6x1.0x0.5mm
Page 125

DC 5V

DC POWER

BV-D505ZC

LPZ2

Laptop

Test Level: Contact8kV Air15kV

BV-D505ZC
1.6x0.8x0.6mm
Page 127

DC 3.3V

DC POWER

BV-D503ZA

LPZ2

Laptop

Test Level: Contact8kV Air15kV

BV-D503ZA
1.2x0.8x0.6mm
Page 131

Drive pin

Drive

BV-SMAJ16CAQ

BV-SMBJ250CA

LPZ2

Electric Drive

Test Level: 1.2/50 μ s-8/20 μ s CM/DM 2kV-1kA

BV-SMAJ16CAQ
5.25x2.85x2.5mm
Page 101

BV-SMBJ250CA
5.45x3.75x2.6mm
Page 89

RJ11 G.Fast

RJ11

BN801M

BV15C

LPZ1

PBX

Test Level: 10/1000 μ s CM/DM 2KV-200A
2/10 μ s CM/DM 1KV-200A

BN801M
5.5x4.0x4.0mm
Page 41

BV15C
2.5x1.28x1.17mm
Page 125

RJ11 SLIC

RJ11

BS61089B-8

BV12C

LPZ1

PBX

Test Level: 10/700 μ s-5/320 μ s CM/DM 6kV-150A

BS61089B-8
4.9x6.0x1.7mm
Page 133

RJ11 xDSL

RJ11

BC401M

BS0x0S23-5

LPZ1

VDSL

Test Level: 10/700 μ s-5/320 μ s CM/DM 6kV-150A

BC401M
4.5x3.2x2.7mm
Page 41

BS0x0S23-5
3.0x2.8x1.25mm
Page 83

RJ11

RJ11

BGO6000A03-LB2

BV12C

LPZ1

VDSL

Test Level: 10/700 μ s-5/320 μ s CM/DM 6kV-150A **Fail-safe**

BGO6000A03-LB2
 ϕ 5.5x6.0mm
Page 45

BV12C
2.5x1.28x1.17mm
Page 125

Notes: CM=Common Mode / DM=Differential Mode

Statement: This solution is only for reference, the final solution will be based on the actual test results. Shenzhen Bencent Electronics Co.,Ltd reserves the right of final explanation.

Notes: CM=Common Mode / DM=Differential Mode

Statement: This solution is only for reference, the final solution will be based on the actual test results. Shenzhen Bencent Electronics Co.,Ltd reserves the right of final explanation.

RJ11

Next Circuit

Test Level: 10/700 μ s-5/320 μ s CM/DM 6kV-150A

B3Y471M
6.2x3.2x2.3mm
Page 43

BS008023-5
3.0x2.8x1.25mm
Page 81

RJ11

Next Circuit

Test Level: 10/700 μ s-5/320 μ s CM/DM 6kV-150A

BS3100N-C-F*3
5.4x3.3x2.0mm
Page 81

RJ11

Next Circuit

Test Level: 10/700 μ s-5/320 μ s CM/DM 6kV-150A

B3D470L-C
7.8x5.0x6.0mm
Page 43

RJ11

Next Circuit

Test Level: 10/700 μ s-5/320 μ s 6kV-150A

B3A420
4.2x2.7x3.9mm
Page 43

BV12C
2.5x1.28x1.17mm
Page 125

RJ45-100M

PHYIC

Test Level: Contact 8kV Air 15kV

BV-SRV05-4
2.9x2.8x1.25mm
Page 125

RJ45-100M

PHYIC

Test Level: 10/700 μ s-5/320 μ s CM/DM 4kV-100A

BS4200N-2C
5.4x3.3x2.0mm
Page 81

BV03C-H
2.5x1.28x1.17mm
Page 125

RJ45-1G

PHYIC

Test Level: 10/700 μ s-5/320 μ s CM/DM 6kV-330A

BV03C-H*4
or **BS4200N-2C**
BS0640N-2C

RJ45-1G

PHYIC

Test Level: 10/700 μ s-5/320 μ s CM 6kV-150A
Hi-pot DC500V

BZ801M
3.2x2.5x2.5mm
Page 39

BV03C-H
2.5x1.28x1.17mm
Page 125

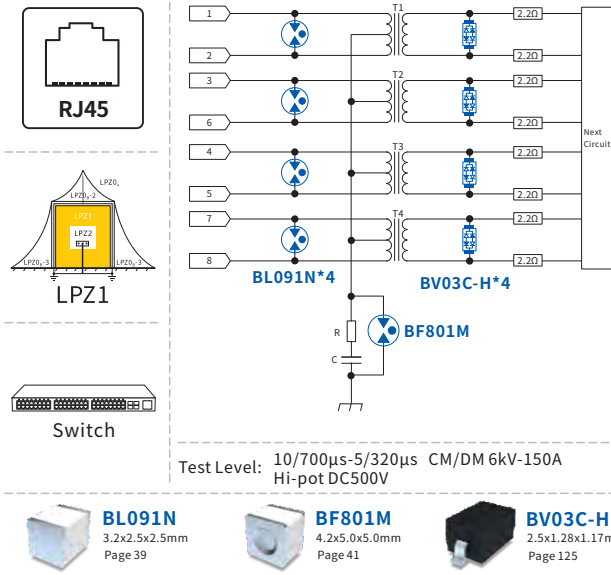
Notes: CM=Common Mode / DM=Differential Mode

Statement: This solution is only for reference, the final solution will be based on the actual test results. Shenzhen Bencent Electronics Co.,Ltd reserves the right of final explanation.

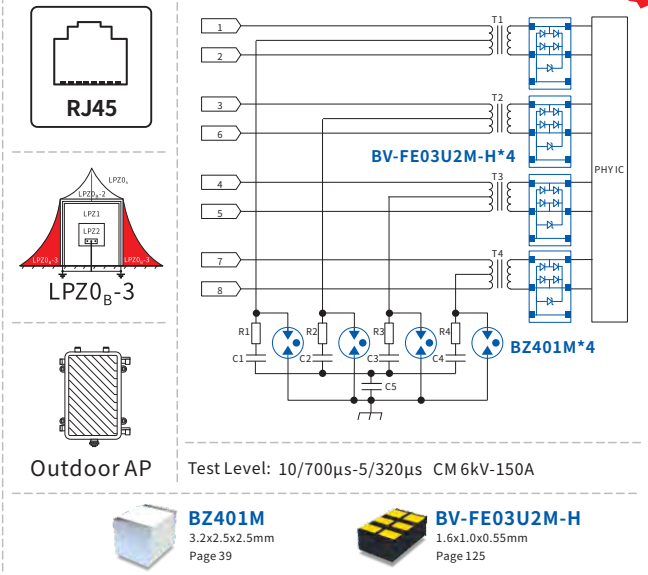
Notes: CM=Common Mode / DM=Differential Mode

Statement: This solution is only for reference, the final solution will be based on the actual test results. Shenzhen Bencent Electronics Co.,Ltd reserves the right of final explanation.

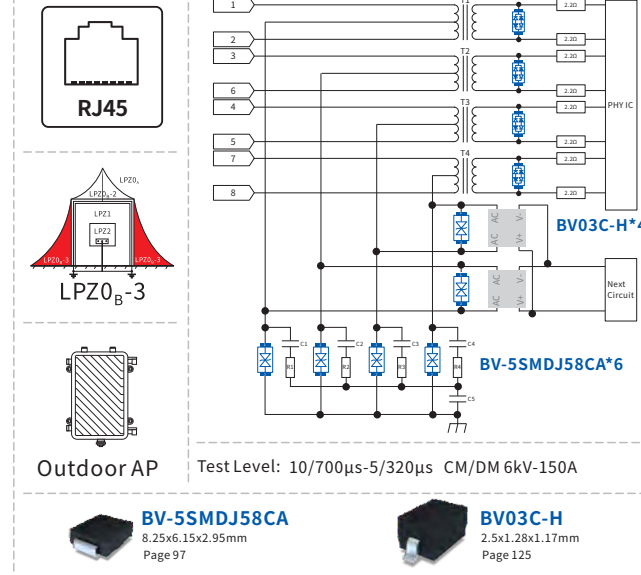
RJ45-1G



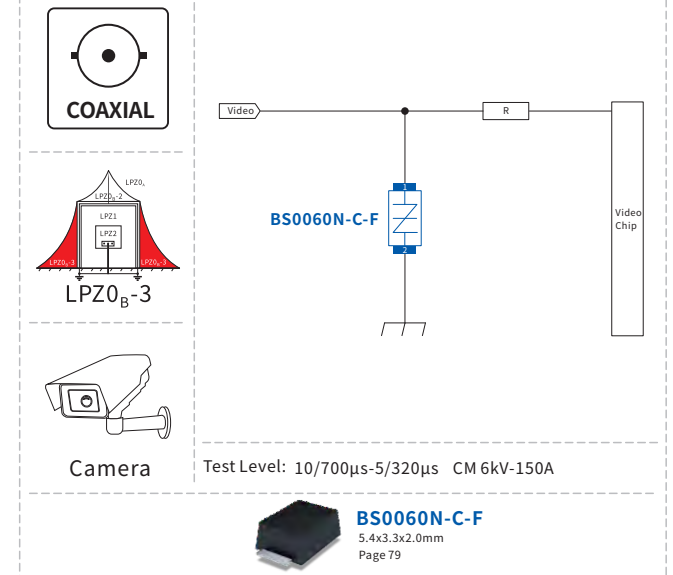
RJ45-10G



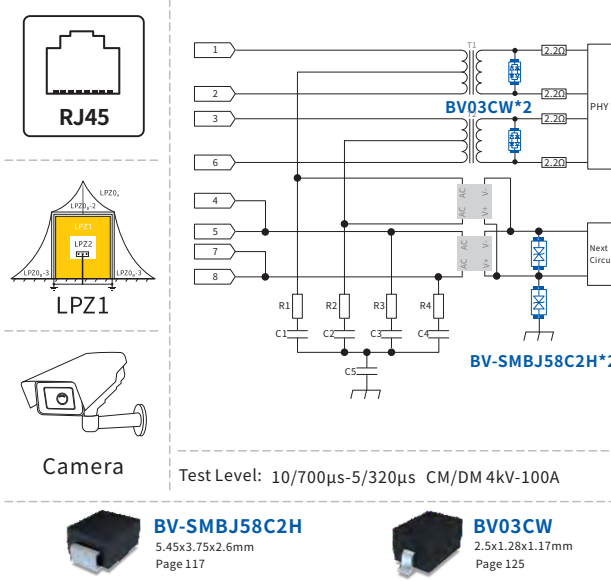
RJ45-1G PD



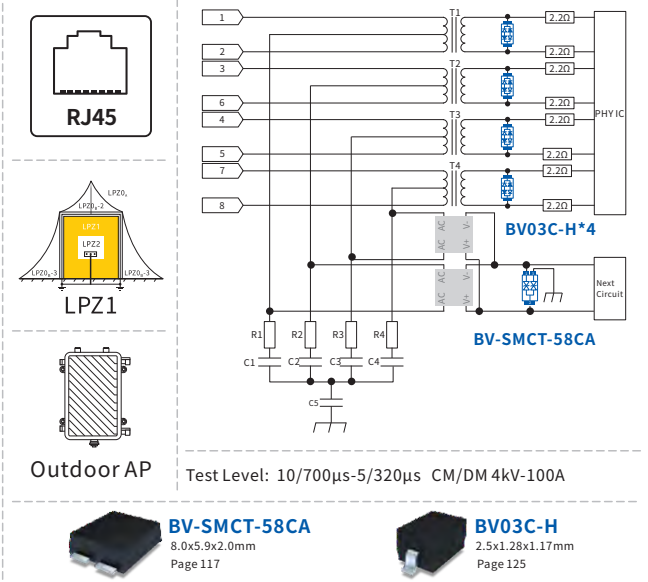
CVBS



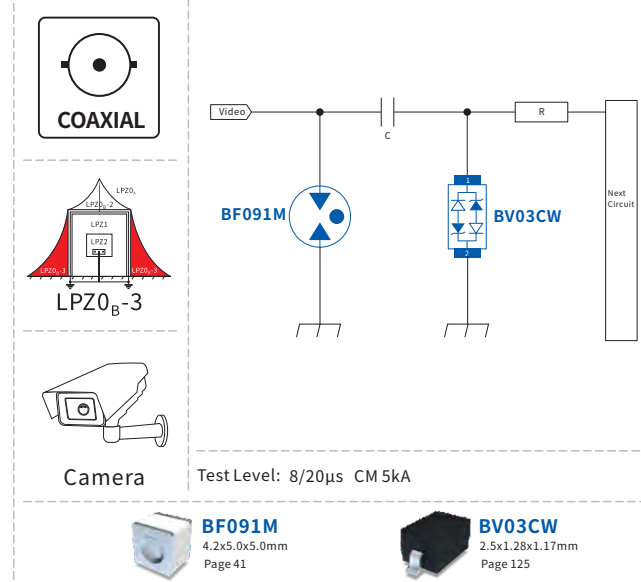
RJ45-100M PD



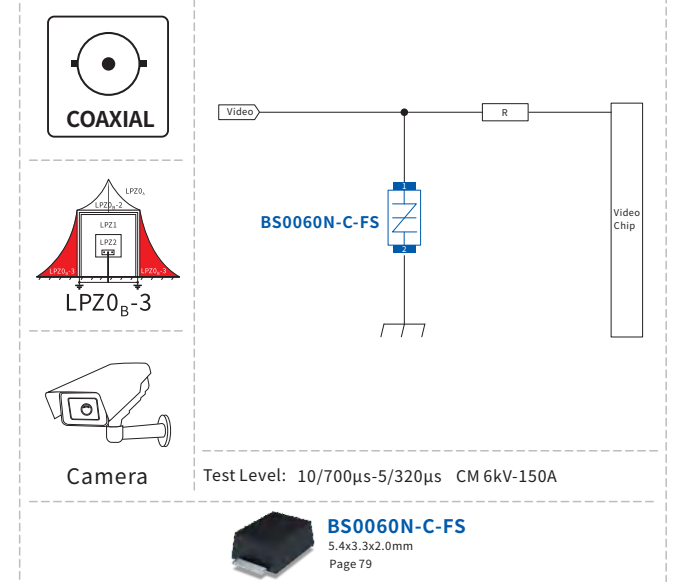
RJ45-1G PD



SDI



HD-Analog



Notes: CM=Common Mode / DM=Differential Mode

Statement: This solution is only for reference, the final solution will be based on the actual test results. Shenzhen Bencent Electronics Co.,Ltd reserves the right of final explanation.

Notes: CM=Common Mode / DM=Differential Mode

Statement: This solution is only for reference, the final solution will be based on the actual test results. Shenzhen Bencent Electronics Co.,Ltd reserves the right of final explanation.

HD-Analog

COAXIAL

LPZ0_B-3

Camera

Test Level: 1.2/50μs-8/20μs CM4kV-95.2A

BS0060M-3
5.0x2.5x2.3mm
Page 79

HD-Analog

COAXIAL

LPZ1

NVR/DVR

Test Level: 10/700μs-5/320μs CM/DM 4kV-100A

BS0060M-BH
5.0x2.5x2.3mm
Page 79

Coaxial

COAXIAL

LPZ0_B-2

LNB

Test Level: 8/20μs CM 3kA

BX091N
4.2x3.5x3.5mm
Page 41

BV05C
2.5x1.28x1.17mm
Page 125

Coaxial

COAXIAL

LPZ0_B-2

LNB

Test Level: 8/20μs CM 5kA

BN091M
5.5x4.0x4.0mm
Page 41

BV-FA05UC
1.0x0.6x0.5mm
Page 127

Coaxial

COAXIAL

LPZ1

Set-Top Box

Test Level: 1.2/50μs-8/20μs CM 6kV-3kA

BC091N-H
4.5x3.2x2.7mm
Page 41

BVxxC
2.5x1.28x1.17mm
Page 125

Coaxial

COAXIAL

LPZ0_B-3

Wave filter

Test Level: 8/20μs CM 5kA

BM091M
8.3x8.3x6.0mm
Page 43

BV-SMDJ33CA
8.25x6.15x2.95mm
Page 93

NEW

Coaxial

COAXIAL

LPZ0_B-2

GPS

Test Level: 8/20μs CM 5kA

BF091M
4.2x5.0x5.0mm
Page 41

BV-FA05UC
1.0x0.6x0.5mm
Page 127

BV-SMBJ6.5CA
5.45x3.75x2.6mm
Page 85

SPD Coaxial

COAXIAL

LPZ0_B-1

Coaxial SPD


Test Level: 8/20μs CM 10kA

BW231M
7.0x6.0x6.0mm
Page 43

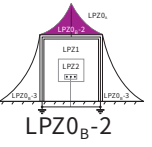
Notes: CM=Common Mode / DM=Differential Mode
Statement: This solution is only for reference, the final solution will be based on the actual test results. Shenzhen Bencent Electronics Co.,Ltd reserves the right of final explanation.

Notes: CM=Common Mode / DM=Differential Mode
Statement: This solution is only for reference, the final solution will be based on the actual test results. Shenzhen Bencent Electronics Co.,Ltd reserves the right of final explanation.

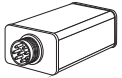
RS485



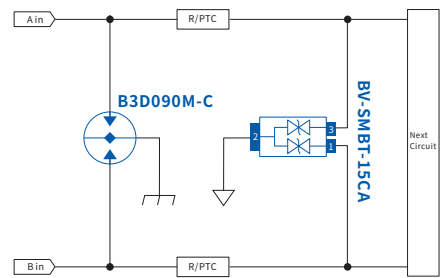
RS485




LPZ0_B-2



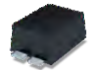
AISG



Test Level: 8/20μs CM/DM 3kA




B3D090M-C
7.8x5.0x6.0mm
Page 45

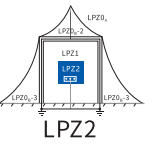


BV-SMBT-15CA
5.4x3.3x2.0mm
Page 117


RS485



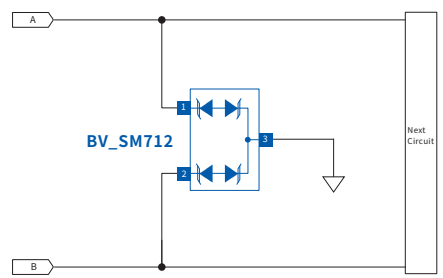
RS485



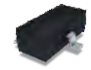
LPZ2



RS485 Converter




Test Level: Contact8kV Air15kV

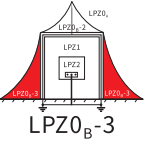


BV_SM712
2.9x2.4x1.0mm
Page 131

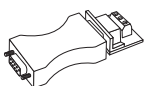
RS485



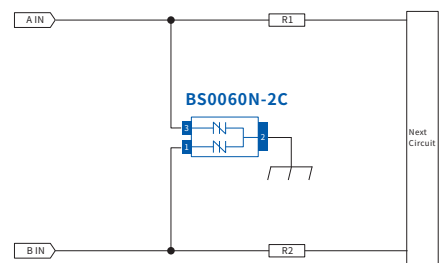
RS485



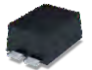
LPZ0_B-3



RS485 Converter




Test Level: 10/700μs-5/320μs CM/DM 6kV-150A

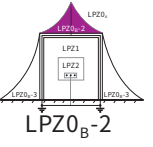


BS0060N-2C
5.4x3.3x2.0mm
Page 81


RS485



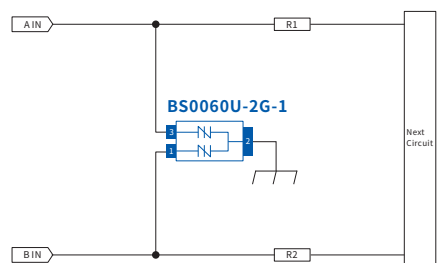
RS485



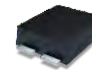
LPZ0_B-2



AISG

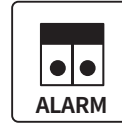


Test Level: 8/20μs CM/DM 3kA

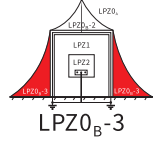


BS0060U-2G-1
8.0x5.9x2.0mm
Page 81


ALARM



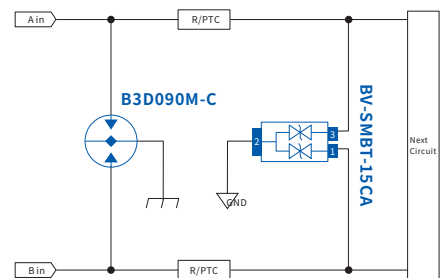
ALARM




LPZ0_B-3



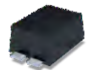
Camera



Test Level: 8/20μs CM/DM 3kA




B3D090M-C
7.8x5.0x6.0mm
Page 45

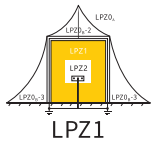


BV-SMBT-15CA
5.4x3.3x2.0mm
Page 117


ALARM



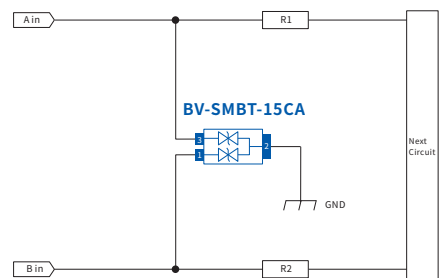
ALARM



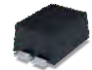
LPZ1



Camera



Test Level: 1.2/50μs-8/20μs CM/DM 1kV-500A

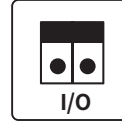


BV-SMBT-15CA
5.4x3.3x2.0mm
Page 117

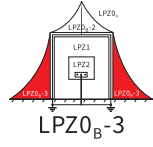
Notes: CM=Common Mode / DM=Differential Mode

Statement: This solution is only for reference, the final solution will be based on the actual test results. Shenzhen Bencent Electronics Co.,Ltd reserves the right of final explanation.


I/O



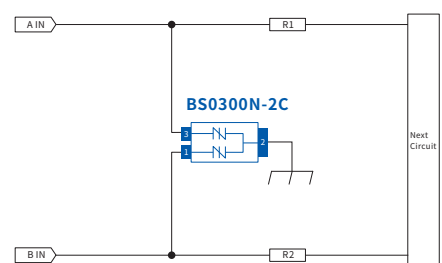
I/O



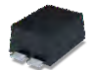
LPZ0_B-3



I/O module




Test Level: 10/700μs-5/320μs CM/DM 6kV 150A

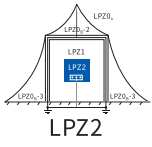


BS0300N-2C
5.4x3.3x2.0mm
Page 81


AUDIO



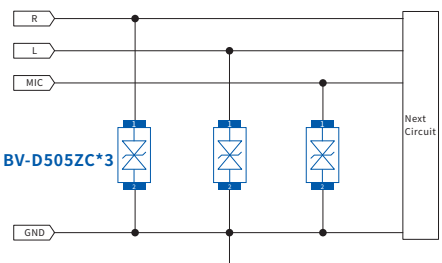
AUDIO



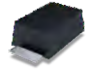
LPZ2



Laptop



Test Level: Contact8KV Air15kV



BV-D505ZC*3
1.6x0.8x0.6mm
Page 127

Notes: CM=Common Mode / DM=Differential Mode

Statement: This solution is only for reference, the final solution will be based on the actual test results. Shenzhen Bencent Electronics Co.,Ltd reserves the right of final explanation.

HDMI

HDMI

LPZ2

Laptop

Test Level: Contact8kV Air15kV

BV-FK03U4CB
2.5x1.0x0.58mm
Page 131

BV-SRV05-4
2.9x2.8x1.25mm
Page 125

KEY

KEY

LPZ2

Navigator

Test Level: Contact8kV Air15kV

BV-D505ZC
1.6x0.8x0.6mm
Page 127

SD

MICO SD

LPZ2

POS

Test Level: Contact8kV Air15kV

BV-SRV05-4*2
2.9x2.8x1.25mm
Page 125

SIM

SIM

LPZ2

POS

Test Level: Contact8kV Air15kV

BV-SRV05-4
2.9x2.8x1.25mm
Page 125

KEY

KEY

LPZ0_B-3

Vehicle

Test Level: Contact8kV Air15kV

BVF-D505ZAQ
1.6x0.8x0.6mm
Page 133

Speaker Headphone and Reset

Headphone

LPZ2

Mobile phone

Test Level: Contact8kV Air15kV

BV-D505ZC
1.6x0.8x0.6mm
Page 133

LIN BUS

LIN

LPZ2

Vehicle

Test Level: 1.2/50μs-8/20μs CM/DM 2kV-1kA

BV-D324ZCBQ
1.6x1.3x1.2mm
Page 133

CAN BUS

CAN

LPZ2

Vehicle

Test Level: Contact8kV Air15kV

BV-T324Z2CBQ
2.9x2.4x1.0mm
Page 133

Notes: CM=Common Mode / DM=Differential Mode
Statement: This solution is only for reference, the final solution will be based on the actual test results. Shenzhen Bencent Electronics Co.,Ltd reserves the right of final explanation.

Notes: CM=Common Mode / DM=Differential Mode
Statement: This solution is only for reference, the final solution will be based on the actual test results. Shenzhen Bencent Electronics Co.,Ltd reserves the right of final explanation.

USB2.0 2in1

USB2.0

USB2.0 Port1
USB2.0 Port2

BV-SRV05-4

LPZ2

Laptop

Test Level: Contact8kV Air15kV

BV-SRV05-4
2.9x2.8x1.25mm
Page 125

USB2.0

USB2.0

VCC
D+
D-
GND

BV-SR05

LPZ2

Laptop

Test Level: Contact8kV Air15kV

BV-SR05
3.0x2.55x1.15mm
Page 125

VGA

VGA

Red
Green
Blue

BV-SRV05-4*2

LPZ2

Laptop

Test Level: Contact8kV Air15kV

BV-SRV05-4
2.9x2.8x1.25mm
Page 125

Touch Screen

Touch Screen

I2C_SDA
I2C_SCL
GND
RESET
SELECT
VCCA
VCCD
SHIELDING

BV-FK05U4CA

1 2 3 4 5 6 7 8 9 10

Touch Control IC

LPZ2

Mobile phone

Test Level: Contact8kV Air15kV

BV-FA05ZC*3

BV-FK05U4CA
2.5x1.0x0.58mm
Page 125

BV-FA05ZC
1.0x0.6x0.5mm
Page 127

USB3.0

USB3.0

Vbus
D+
D-
GND

BV-SR05

USB Controller

SSTX+
SSTX-
SSTR+
SSTR-

BV-FK05U4CA

1 2 3 4 5 6 7 8 9 10

LPZ2

Laptop

Test Level: Contact8kV Air15kV

BV-SR05
3.0x2.55x1.15mm
Page 125

BV-FK05U4CA
2.5x1.0x0.58mm
Page 125

USB3.0

USB3.0

SV
D+
D-
GND

BV-SR05

Next Circuit

SSTX+
SSTX-
SSTR+
SSTR-

BV-F603UCA*4

1 2 3 4

LPZ2

Laptop

Test Level: Contact30kV Air30kV

BV-SR05
3.0x2.55x1.15mm
Page 125

BV-F603UCA
0.6x0.3x0.3mm
Page 127

TYPE-C

TYPE-C

10

BV-FK05U4CA*4

GND B12 A1
RX1+ B11 B1
TX1+ A2
RX1- B10 A3
TX1- A4
VBUS B9 A4
SBU2 B8 A5
CC1 A6
D+ B7 A6
D- B6 A7
D- A7
SBU1 B5 A8
VBUS B4 A8
SBU1 B4 A8
RX2- B3 A10
TX2- B2 A11
RX2+ B1 A11
GND B1 A12

BV-FE07ZA

LPZ2

Mobile phone

Test Level: Contact8kV Air15kV

BV-FK05U4CA
2.5x1.0x0.58mm
Page 125

BV-FE07ZA
1.6x1.0x0.5mm
Page 125

ECG Cable

ECG CABLE

ECG in

R1
R2
C1
C2
TVS

U1

VCC
GND

BV-F091M

LPZ1

ECG monitor

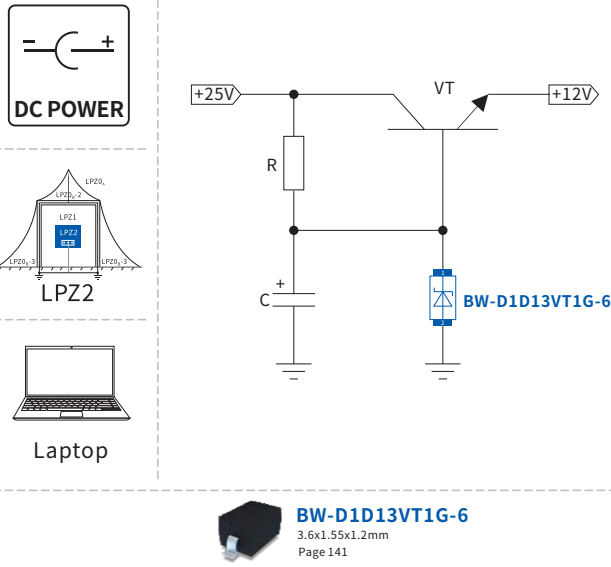
Test Level: AEDS 360J

BV-F091M
4.2x5.0x5.0mm
Page 41

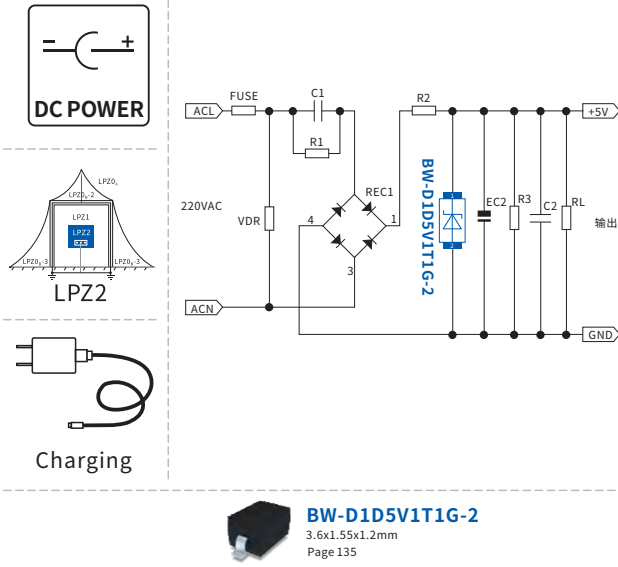
Notes: CM=Common Mode / DM=Differential Mode
Statement: This solution is only for reference, the final solution will be based on the actual test results. Shenzhen Bencent Electronics Co.,Ltd reserves the right of final explanation.

Notes: CM=Common Mode / DM=Differential Mode
Statement: This solution is only for reference, the final solution will be based on the actual test results. Shenzhen Bencent Electronics Co.,Ltd reserves the right of final explanation.

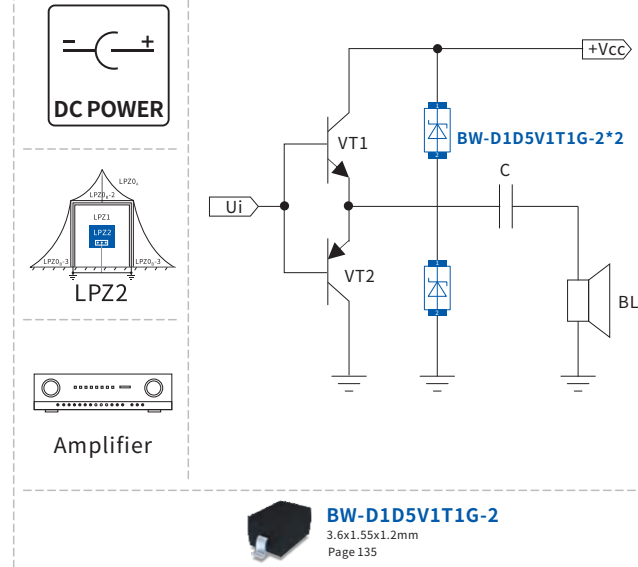
DC to DC



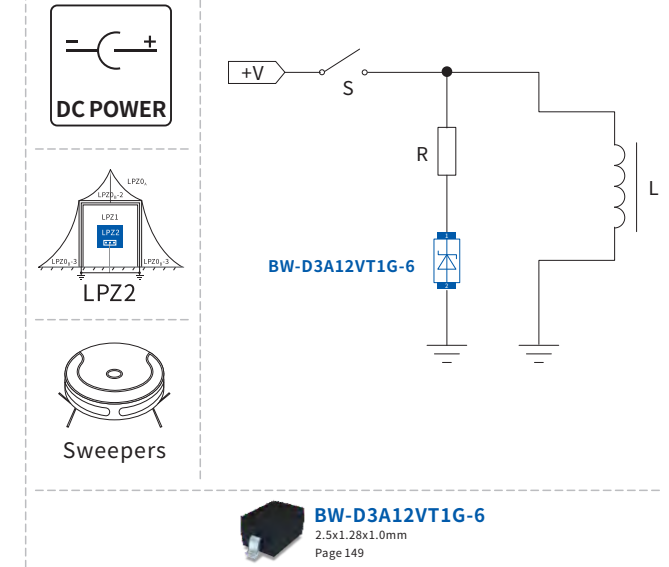
AC to DC



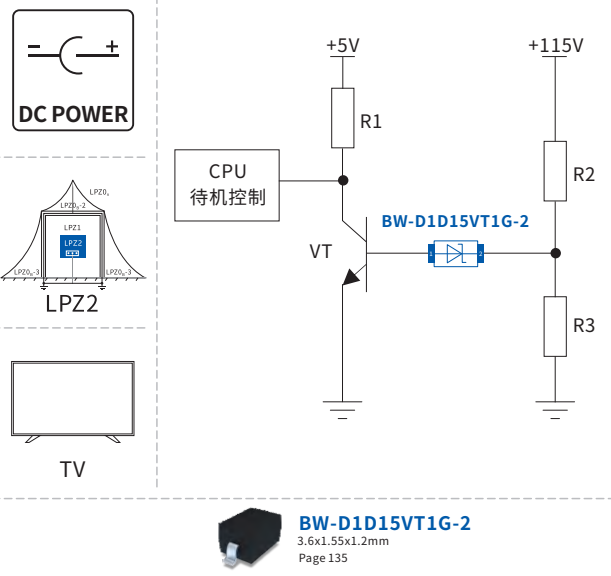
Horn Overload protection



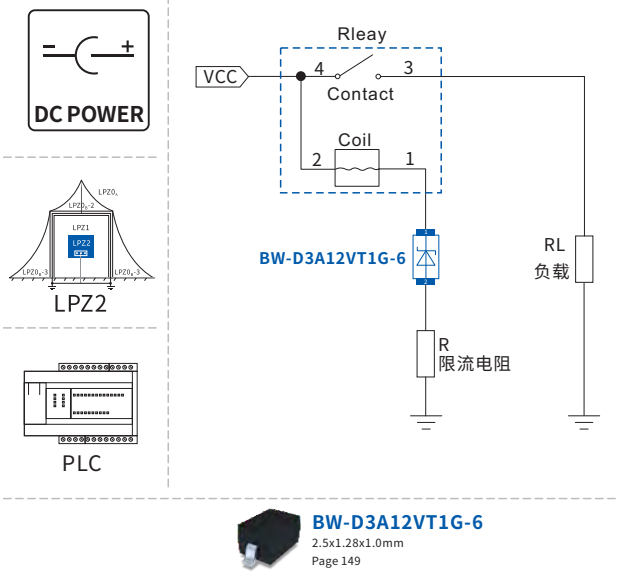
CEMF Absorption circuit



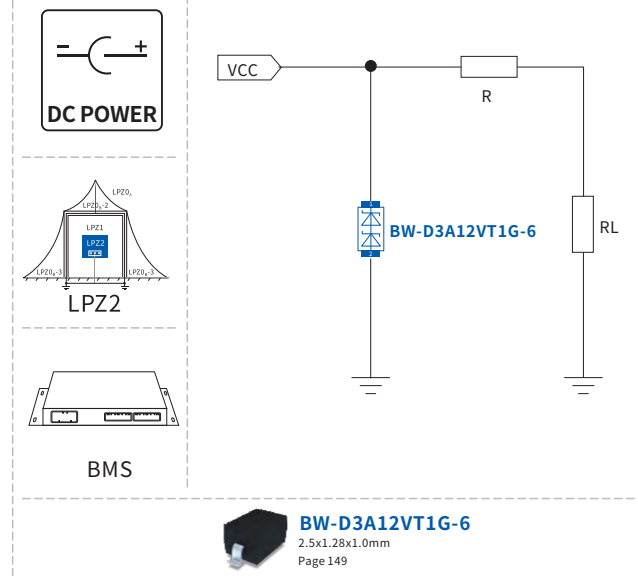
Overvoltage Control



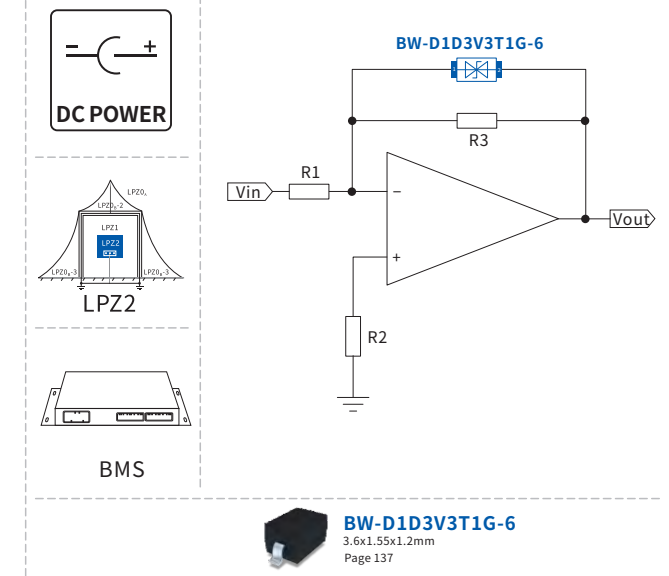
Relay Coil Control



Temperature Compensation circuit

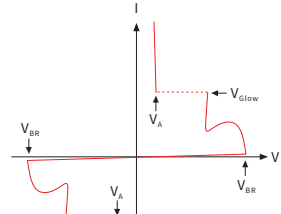
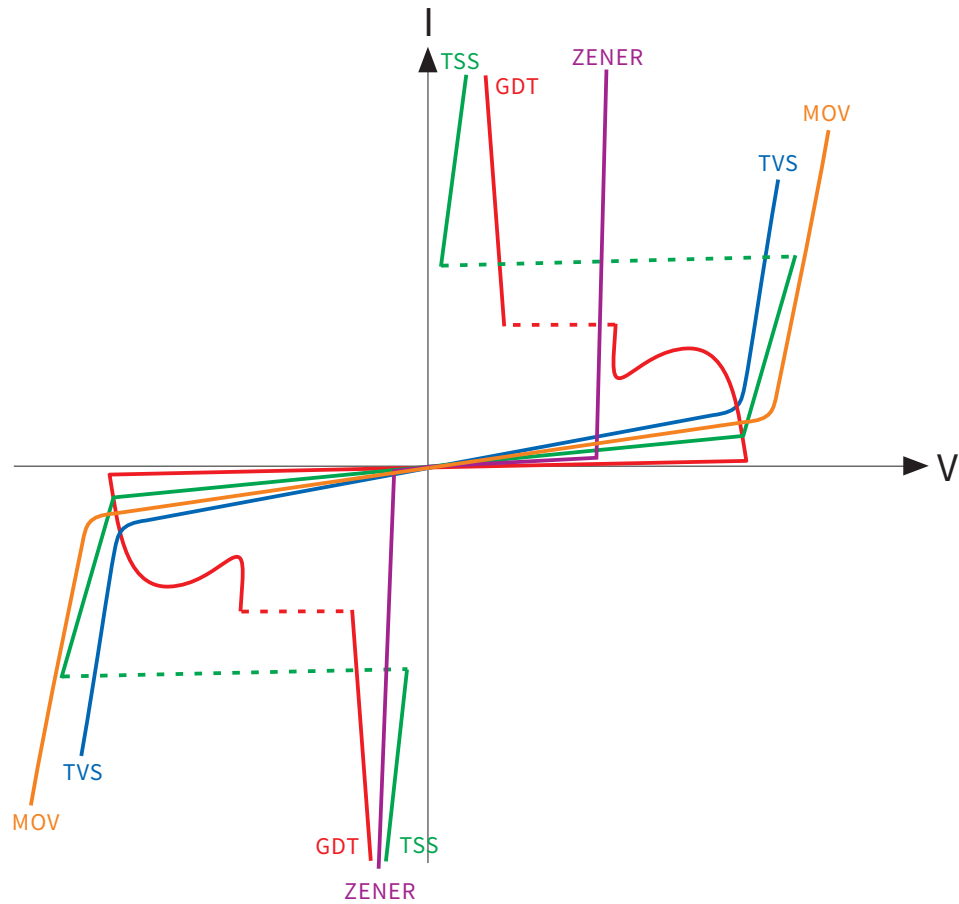


Limiting Circuit

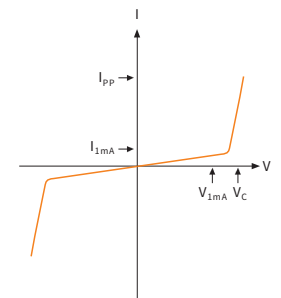


Notes: CM=Common Mode / DM=Differential Mode
Statement: This solution is only for reference, the final solution will be based on the actual test results. Shenzhen Bencent Electronics Co.,Ltd reserves the right of final explanation.

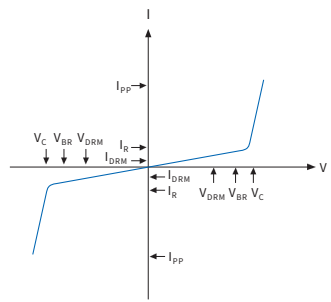
Notes: CM=Common Mode / DM=Differential Mode
Statement: This solution is only for reference, the final solution will be based on the actual test results. Shenzhen Bencent Electronics Co.,Ltd reserves the right of final explanation.



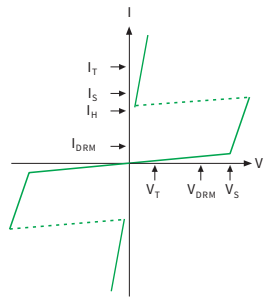
— GDT



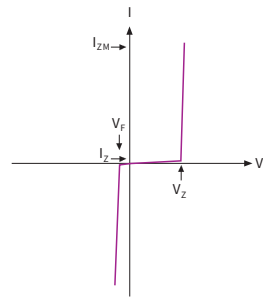
— MOV



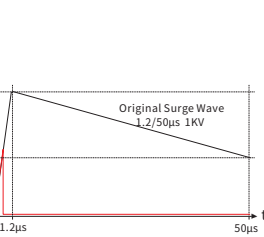
— TVS



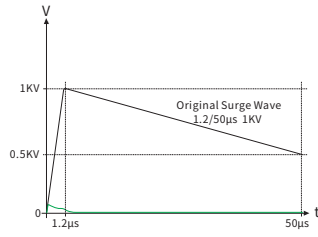
— TSS



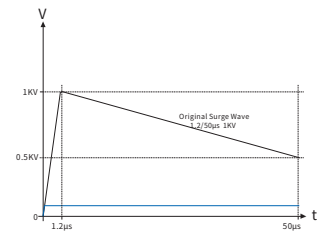
— Zener



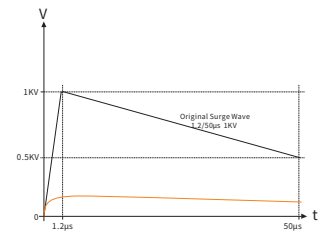
— GDT
V_{DRM}=90V



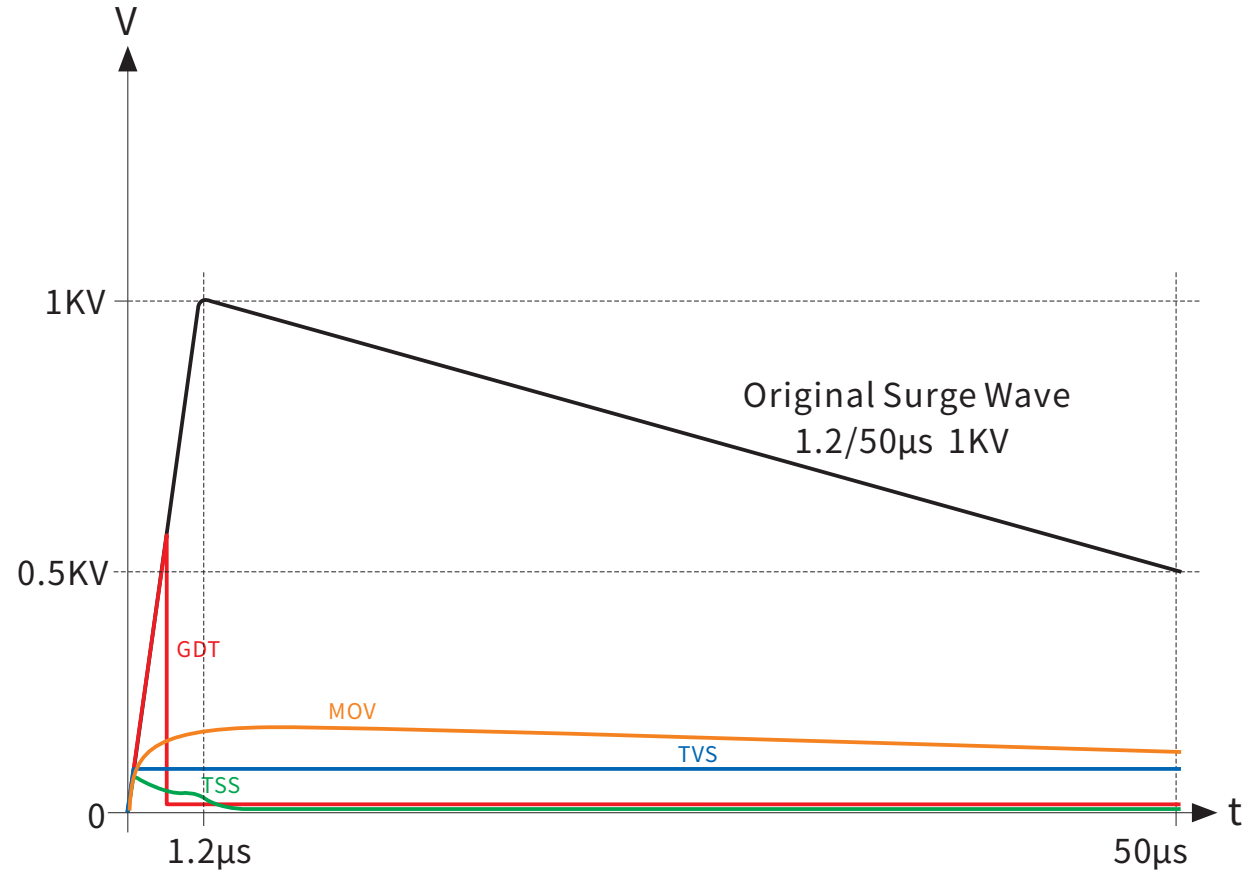
— TSS
V_{DRM}=58V



— TVS
V_{DRM}=58V



— MOV
V_{DRM}=82V



产品型号 Part Number	标称电压 DC Breakdown Voltage(V _{BR}) 100V/s (V)	电压范围 Tolerance of V _{BR} (V)	冲击击穿电压 Impulse Spark-over Voltage 1kV/μs (V)	弧光压 Arc Voltage (V _a) (V)@1A	通流能力 Impulse Discharge Current 8/20μs (kA)	绝缘阻抗 Insulation Resistance (GΩ)	绝缘阻抗 测试电压 @ DC (V)	结电容 Capacitance Co(pF) 0.5VDC@1MHz	尺寸 Size LxWxH(mm)	应用 Application	电路符号 Circuit	产品外观 Outline	认证 Certifisate			
													UL497B	UL1449	TUV	CQC
BS201N	200	140-260	≤850	~10	0.5	≥1	100	≤0.6	3.2x1.6x1.6	Ethernet			●	○	○	○
BS401N	400	280-520	≤1100	~8	0.5	≥1	100	≤0.6	3.2x1.6x1.6	Ethernet			●	○	○	○
BG091N	90	63-117	≤650	~10	1	≥1	50	≤0.5	2.9x2.1x1.9	RS485/232/422			●	○	○	○
BG151N	150	105-195	≤700	~10	1	≥1	100	≤0.5	2.9x2.1x1.9	RS485/232/422			●	○	○	○
BG201N	200	140-260	≤750	~10	1	≥1	100	≤0.5	2.9x2.1x1.9	RS485/232/422			●	○	○	○
BG301N	300	210-390	≤850	~10	1	≥1	100	≤0.5	2.9x2.1x1.9	RS485/232/422			●	○	○	○
BG401N	400	280-520	≤1000	~10	1	≥1	100	≤0.5	2.9x2.1x1.9	RS485/232/422			●	○	○	○
BG601M	600	480-720	≤1200	~10	0.5	≥1	100	≤0.5	2.9x2.1x1.9	RS485/232/422			●	○	○	○
BG801M	800	640-960	≤1300	~10	0.5	≥1	100	≤0.5	2.9x2.1x1.9	RS485/232/422			○	○	○	○
BG102M	1000	800-1200	≤1500	~10	0.5	≥1	100	≤0.5	2.9x2.1x1.9	RS485/232/422			○	○	○	○
BL075N	75	53-97	≤650	~8	1	≥1	50	≤0.5	2.9x2.1x1.9	RS485/232/422			○	○	○	○
BL091N	90	63-117	≤650	~10	1	≥1	50	≤0.5	2.9x2.1x1.9	RS485/232/422			●	○	○	○
BL151N	150	105-195	≤700	~10	1	≥1	100	≤0.5	2.9x2.1x1.9	RS485/232/422			●	○	○	○
BL201N	200	140-260	≤750	~10	1	≥1	100	≤0.5	2.9x2.1x1.9	RS485/232/422			●	○	○	○
BL301N	300	210-390	≤850	~10	1	≥1	100	≤0.5	2.9x2.1x1.9	RS485/232/422			●	○	○	○
BL401N	400	280-520	≤1000	~10	1	≥1	100	≤0.5	2.9x2.1x1.9	RS485/232/422			●	●	○	○
BL601M	600	480-720	≤1200	~10	0.5	≥1	100	≤0.5	2.9x2.1x1.9	RS485/232/422			●	○	○	○
BL801M	800	640-960	≤1300	~10	0.5	≥1	100	≤0.5	2.9x2.1x1.9	RS485/232/422			○	●	○	○
BL102M	1000	800-1200	≤1500	~10	0.5	≥1	100	≤0.5	2.9x2.1x1.9	RS485/232/422			○	○	○	○
BZ091N	90	63-117	≤700	~8	1	≥1	50	≤0.5	3.2x2.5x2.5	Coaxial/Internet			●	○	○	○
BZ201M	200	160-240	≤800	~8	1	≥1	100	≤0.5	3.2x2.5x2.5	RJ11/RJ45			●	○	○	○
BZ301M	300	240-360	≤850	~8	1	≥1	100	≤0.5	3.2x2.5x2.5	RS485/232/422			●	○	○	○
BZ401M	400	360-580	≤950	~10	1	≥1	100	≤1.0	3.2x2.5x2.5	Ethernet			●	○	○	○
BZ801M	800	640-960	≤1400	~10	1	≥1	100	≤1.0	3.2x2.5x2.5	Ethernet			○	●	○	○
BA151N	150	105-195	≤750	~8	1	≥1	100	≤1	4.5x3.2x2.7	coaxial			●	○	○	○
BA201N	200	140-260	≤750	~8	1	≥1	100	≤1	4.5x3.2x2.7	RS485/232/422			●	○	○	○
BA301N	300	210-390	≤800	~8	1	≥1	100	≤1	4.5x3.2x2.7	RS485/232/422			●	○	○	○
BA301N-D	300	210-390	≤750	~15	1	≥1	100	≤1	4.5x3.2x2.7	DC12V/AC24V			●	○	○	○
BA401N-D	400	340-550	≤750	~15	1	≥1	100	≤1	4.5x3.2x2.7	xDSL			●	○	○	○
BA601N	600	420-780	≤1200	~15	1	≥1	100	≤1	4.5x3.2x2.7	Ethernet			●	○	○	○
BC091N	90	63-117	≤650	~8	2	≥1	50	≤1	4.5x3.2x2.7	coaxial			●	○	●	○
BC151N	150	105-195	≤750	~8	2	≥1	100	≤1	4.5x3.2x2.7	coaxial			●	○	●	○

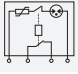
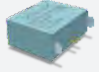
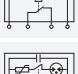
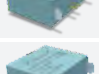
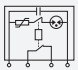
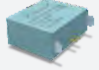
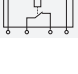

产品型号 Part Number	标称电压 DC Breakdown Voltage(V _{BR}) 100V/s (V)	电压范围 Tolerance of V _{BR} (V)	冲击击穿电压 Impulse Spark-over Voltage 1kV/μs (V)	弧光压 Arc Voltage (V _a) (V)@1A	通流能力 Impulse Discharge Current 8/20μs (kA)	绝缘阻抗 Insulation Resistance (GΩ)	绝缘阻抗 测试电压 @ DC (V)	结电容 Capacitance Co(pF) 0.5VDC@1MHz	尺寸 Size LxWxH(mm)	应用 Application	电路符号 Circuit	产品外观 Outline	认证 Certifisate			
													UL497B	UL1449	TUV	CQC
BC201N	200	140-260	≤800	~8	2	≥1	100	≤1	4.5x3.2x2.7	RS485/232/422			●	○	●	○
BC301N-D	300	210-390	≤750	~15	2	≥1	100	≤1	4.5x3.2x2.7	DC12V/AC24V			●	○	●	○
BC401M	400	360-560	≤950	~15	2	≥1	100	≤1	4.5x3.2x2.7	xDSL			●	○	●	○
BC601N	600	420-780	≤1200	~15	2	≥1	100	≤1	4.5x3.2x2.7	Ethernet			●	○	●	○
BC091N-H	90	63-117	≤650	~8	3	≥1	50	≤0.5	4.5x3.2x2.7	coaxial			●	○	●	○
BX091N	90	63-117	≤650	~10	3	≥1	50	≤0.6	4.2x3.5x3.5	Coaxial			●	○	●	○
BX151N	150	105-195	≤650	~10	3	≥1	100	≤0.6	4.2x3.5x3.5	Ethernet			●	○	●	○
BX201N	200	140-260	≤750	~10	3	≥1	100	≤0.6	4.2x3.5x3.5	Coaxial			●	○	●	○
BX301N	300	210-390	≤850	~10	3	≥1	100	≤0.6	4.2x3.5x3.5	Ethernet			●	○	●	○
BX401N-D	400	370-560	≤750	≥18	3	≥1	100	≤0.6	4.2x3.5x3.5	Ethernet			●	○	●	○
BN075M	75	60-90	≤600	~8	5	≥1	50	≤0.5	5.5x4.0x4.0	RS485/232/422			○	○	●	○
BN091M	90	72-108	≤600	~8	5	≥1	50	≤0.5	5.5x4.0x4.0	RS485/232/422			○	○	●	○
BN151M	150	120-180	≤650	~12	5	≥1	100	≤0.5	5.5x4.0x4.0	AC Power/Xdsl			○	○	●	○
BN301M	300	240-360	≤850	~15	5	≥1	100	≤0.5	5.5x4.0x4.0	DC Power/AC Power			○	○	●	○
BN401M	400	320-480	≤850	~15	5	≥1	100	≤0.5	5.5x4.0x4.0	Ethernet			○	○	●	○
BN601M	600	480-720	≤1200	~15	5	≥1	100	≤0.5	5.5x4.0x4.0	AC Power			○	●	●	○
BN801M	800	640-960	≤1400	~15	5	≥1	100	≤0.5	5.5x4.0x4.0	AC Power			○	○	●	○
BN102M	1000	800-1200	≤1600	~15	5	≥1	100	≤0.5	5.5x4.0x4.0	AC Power			○	●	●	○
BN152M	1500	1200-1800	≤2500	~15	3	≥1	100	≤0.5	5.5x4.0x4.0	AC Power			○	○	●	○
BN202M	2000	1600-2400	≤3000	~15	3	≥1	100	≤0.5	5.5x4.0x4.0	AC Power			○	●	●	○
BN252M	2500	2000-3000	≤3500	~25	3	≥1	100	≤0.5	5.5x4.0x4.0	AC Power			○	○	●	○
BN302M	3000	2400-3600	≤4000	~25	3	≥1	100	≤0.5	5.5x4.0x4.0	AC Power			○	●	●	○
BN362M	3600	2880-4320	≤4800	~30	3	≥1	100	≤0.5	5.5x4.0x4.0	AC Power			○	●	●	○
BN362M-1	3600	2880-4320	≤4800	~30	3	≥1	100	≤0.5	5.5x4.2x4.2	AC Power			○	○	●	○
BF091M	90	72-108	≤650	~8	5	≥1	50	≤1.0	4.2x5.0x5.0	RS485/232/422			●	○	○	○
BF151M	150	120-180	≤420	~13	5	≥1	100	≤0.8	4.2x5.0x5.0	AC Power/xDSL			●	○	○	○
BF231M	230	184-276	≤700	~8	5	≥1	100	≤1.0	4.2x5.0x5.0	RS485/232/422			●	○	○	○
BF351M	350	280-420	≤750	≥15	5	≥1	100	≤1.0	4.2x5.0x5.0	DC12V/AC24V			●	○	○	○
BF421M	420	336-504	≤750	≥15	5	≥1	100	≤1.0	4.2x5.0x5.0	DC12V/AC24V			●	○	○	○
BF471M	470	376-564	≤850	~15	5	≥1	100	≤0.8	4.2x5.0x5.0	xDSL			●	○	○	○
BF601M	600	480-720	≤1200	~8	5	≥1	100	≤1.0	4.2x5.0x5.0	AC Power			●	○	●	○
BF801M	800	640-960	≤1600	~15	3	≥1	100	≤1.0	4.2x5.0x5.0	AC Power/xDSL			●	○	○	○

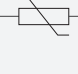
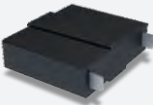
产品型号 Part Number	标称电压 DC Breakdown Voltage(V _{BR}) 100V/s (V)	电压范围 Tolerance of V _{BR} (V)	冲击击穿电压 Impulse Spark-over Voltage 1kV/μs (V)	弧光压 Arc Voltage (V _a) (V)@1A	通流能力 Impulse Discharge Current 8/20μs (kA)	绝缘阻抗 Insulation Resistance (GΩ)	绝缘阻抗 测试电压 @ DC (V)	结电容 Capacitance Co(pF) 0.5VDC@1MHz	尺寸 Size LxWxH(mm)	应用 Application	电路符号 Circuit	产品外观 Outline	认证 Certifisate			
													UL497B	UL1449	TUV	CQC
BF102M	1000	800-1200	≤1800	~15	3	≥1	100	≤1.0	4.2x5.0x5.0	AC Power			○	●	●	○
BF122M	1200	960-1440	≤2000	~15	3	≥1	100	≤1.0	4.2x5.0x5.0	AC Power			○	○	○	○
BJ091M	90	72-108	≤600	~10	5	≥1	50	≤0.5	5.5x5.5x5	Power port			○	●	○	○
BJ091M-1	90	72-108	≤600	~10	10	≥1	50	≤1.0	5.4x5.4x5	Power port			○	●	○	○
BM091M	90	72-108	≤600	~8	20	≥1	50	≤1.5	8.3x8.3x6	DC Power			○	●	○	○
BM351M	350	280-420	≤650	~15	20	≥1	100	≤1.5	8.3x8.3x6	DC Power			○	●	○	○
BM471M	470	376-564	≤850	~15	20	≥1	100	≤1.5	8.3x8.3x6	AC Power			○	●	○	○
BM601M	600	480-720	≤950	~15	20	≥1	100	≤1.5	8.3x8.3x6	AC Power			○	●	○	○
BM801M	800	640-960	≤1200	~15	20	≥1	100	≤1.5	8.3x8.3x6	AC Power			○	●	○	○
BM152M	1500	1200-1800	≤2500	~15	10	≥1	100	≤1.5	8.3x8.3x6	AC Power			○	○	○	○
BM362M	3600	2880-4320	≤6000(@1.2/50μs 6kV)	~30	5	≥1	100	≤1.5	8.3x8.3x6	AC Power			○	○	○	○
BW151M	150	120-180	≤700	~12	10	≥1	100	≤0.45	7x6x6	Coaxial			○	○	○	○
BW231M	230	184-276	≤800	~12	10	≥1	100	≤0.45	7x6x6	Coaxial			○	○	○	○
BD122-2	1200	700-1200	≤900(@1.2/50μs 6kV)	≥60	20	≥1	100	≤1.5	8.3x9.5x16.5	DC 48v			○	○	○	○
BD122-J	1200	700-1450	≤1100(@1.2/50μs 6kV)	≥60	15	≥1	100	≤1.5	6x6x16.5	DC 48v			○	●	○	○
B5G470L	470	376-564	≤850	~15	5	≥1	100	≤1	φ5.5x6	AC Power			●	○	●	○
B5G600L	600	480-720	≤950	~15	5	≥1	100	≤1	φ5.5x6	AC Power			●	○	●	○
B5G800L	800	640-960	≤1600	~15	5	≥1	100	≤1	φ5.5x6	AC Power			○	●	●	○
B5G3600	3600	2880-4680	≤4700	~15	3	≥1	100	≤1	φ5.5x6	AC Power			○	●	●	○
B8G600M	600	480-720	≤1400	~15	10	≥1	100	≤1.5	φ8x6	AC Power			●	○	●	○
B8G800M	800	640-960	≤1600	~15	10	≥1	100	≤1.5	φ8x6	AC Power			●	○	●	○
B8G1500M	1500	1200-1800	≤2700	~15	10	≥1	100	≤1.5	φ8x6	AC Power			○	●	●	○
B8G3600L	3600	2880-4320	≤6000(@1.2/50μs 6kV)	~15	5	≥1	100	≤1.5	φ8x6	AC Power			○	●	○	○
B3A420	470	360-560	≤950	~10	2	≥1	100	≤1.0	4.2x2.7x3.9	xDSL			●	○	○	○
B3Y471M	470	360-540	≤1000	~8	1	≥1	100	≤1.5	6.2x3.2x2.3	xDSL			●	○	○	○
B3Q420	420	360-560	≤950	~20	2	≥1	100	≤1	6.8x3.5x3.5	xDSL			●	○	○	○
B3D090L-C	90	68-112	≤700	~8	5	≥1	50	≤1.5	7.8x5.0x6.0	RS485/232/422			●	○	○	○
B3D230L-CD	230	200-380	≤800	~15	5	≥1	100	≤1.5	7.8x5.0x6.0	DC12V/AC24V			●	○	○	○
B3D230L-C	230	184-276	≤800	~8	5	≥1	100	≤1.5	7.8x5.0x6.0	DC12V/AC24V			●	○	○	○
B3D420L-C	420	336-504	≤950	~8	5	≥1	100	≤1.5	7.8x5.0x6.0	xDSL			●	○	○	○
B3D470L-C	470	360-560	≤950	~8	5	≥1	100	≤1.5	7.8x5.0x6.0	xDSL			●	○	○	○
B3D470L-1	470	350-500	≤950	~8	5	≥1	100	≤1.5	7.3x5.0x5.0	xDSL			●	○	○	○

Environmental Analysis 环境分析
 Choose Standard 选择标准
 Application Guide 方案设计
 Select Components 器件选择
 System Test 系统测试
 Apply & Optimize 应用优化

产品型号 Part Number	标称电压 DC Breakdown Voltage(V _{BR}) 100V/s (V)	电压范围 Tolerance of V _{BR} (V)	冲击击穿电压 Impulse Spark-over Voltage 1kV/μs (V)	弧光压 Arc Voltage (V _a) (V)@1A	通流能力 Impulse Discharge Current 8/20μs (kA)	绝缘阻抗 Insulation Resistance (GΩ)	绝缘阻抗 测试电压 @ DC (V)	结电容 Capacitance Co(pF) 0.5VDC@1MHz	尺寸 Size LxWxH(mm)	应用 Application	电路符号 Circuit	产品外观 Outline	认证 Certifisate			
													UL497B	UL1449	TUV	CQC
B3D090M-C	90	72-108	≤600	~10	10	≥1	50	≤1.5	7.8x5.0x6.0	RS485/232/422			●	○	○	○
B3D350M-R	350	245-455	≤850	≥33	5	≥1	100	≤1.5	7.8x5.0x6.0	DC30V			●	○	○	○
BUB801M-01	800	640-960	≤1400	~24	40	≥1	100	≤4.0	Φ16x5.1	AC Power			○	●	○	○
BUB801M-06	800	640-960	≤1400	~24	40	≥1	100	≤4.0	Φ16x5.6	AC Power			○	●	○	○
BUB801M-02	600	520-780	≤1300	~24	40	≥1	100	≤4.0	Φ16x7.7	AC Power			○	●	○	○
BUB601M-03	600	550-800	≤1500	~24	40	≥1	100	≤4.0	Φ16x4.6	AC Power			○	●	○	○
BUB601M-10	600	480-720	≤1500	~24	40	≥1	100	≤4.0	Φ16x5.6	AC Power			○	●	○	○
BUB601M-09	600	480-720	≤1500	~24	40	≥1	100	≤4.0	Φ16x9.1	AC Power			○	●	○	○
BUF601M-01	600	640-960	≤1500	~30	80	≥1	100	≤10.0	Φ30x8.45	AC Power			○	●	○	○
B3D350M-R-1	600	420-780	≤1200	≥33	5	≥1	100	≤1.5	7.8x5.0x5.0	AC Power			○	○	○	○
BXD3000SA03M	3000	2400-3600	≤2500	~35	3	≥1	100	≤500	8.8x6.2x8.5	AC Power			○	●	○	○
BXD3000SA05M	3000	2400-3600	≤2500	~35	5	≥1	100	≤500	11.8x8.3x10.8	AC Power			○	○	○	○
BXD3000SA03M03	3000	2400-3600	≤2700	~35	3	≥1	100	≤500	9.0x5.5x7.0	AC Power			○	●	○	○
BGO6000A03-LB2	600	≥480	≤1500	/	3	/	/	≤1.5	Φ5.5x6.0	AC Power			●	○	○	○
BGO6000A05-LC2	600	≥480	≤1500	/	5	/	/	≤1.5	Φ8.0x7.0	AC Power			●	○	○	○
BGO6000A10-LC2	600	≥480	≤1500	~40	10	≥1	100	≤1.5	Φ8x7.0	AC Power			●	○	○	○
BGO1001A05-LC2	1000	≥800	≤2000	~60	5	≥1	100	≤1.5	Φ8x7.0	AC Power			●	○	●	○
BGO1001A10-LC2	1000	≥800	≤2500	~60	10	≥1	100	≤1.5	Φ8x7.0	AC Power			●	○	○	○

产品型号 Part Number	安装类别 Classification	保护模式 modes of protection	额定 工作电压 Un (VAC)	最大持续工作电压 UcMAX (VAC)	额定 通流能力 In (kA)	保护水平 Up	防水等级 IP code	阻燃等级 Flame Rating	尺寸 Size LxWxH(mm)	应用 Application	电路符号 Circuit	产品外观 Outline	认证 Certifisate			
													UL497B	UL1449	TUV	CQC
BSPD220C20P	T2	L-N,L-PE,N-PE	220	250	20	L-N/L-PE:1.5kV,N-PE:2.0kV	Ip20	UI94 V-0	41x30.5x32.3	AC Power			<input type="checkbox"/>	<input type="checkbox"/>	<input type="checkbox"/>	<input type="checkbox"/>
BSPD220C20P-1	T2	L-PE,N-PE	220	250	20	L-PE:1.5kV,N-PE:1.5kV	IP20	UL94 V-0	41x30.5x32.3	AC Power			<input type="checkbox"/>	<input type="checkbox"/>	<input type="checkbox"/>	<input type="checkbox"/>
BSPD220C20P-2	T2	L-PE,N-PE	220	300	20	L-PE:1.5kV,N-PE:1.5kV	IP20	UL94 V-0	41x30.5x32.3	AC Power			<input type="checkbox"/>	<input type="checkbox"/>	<input type="checkbox"/>	<input type="checkbox"/>
BSPD220C20P-5	T2	L-N,L-PE,N-PE	220	300	20	L-N:1.5kV,L-PE:2kV,N-PE:2kV	Ip20	UL94 V-0	41.6x31x38.2	AC Power			<input type="checkbox"/>	<input type="checkbox"/>	<input type="checkbox"/>	<input type="checkbox"/>
BSPD220C20P-6	T2	L-N,L-PE,N-PE	220	300	20	L-N:1.5kV,L-PE:2kV,N-PE:2kV	Ip20	UL94 V-0	41.6x31x38.2	AC Power			<input type="checkbox"/>	<input type="checkbox"/>	<input type="checkbox"/>	<input type="checkbox"/>
BSPD230C20PF-01	T2	L-N,L-PE,N-PE	230	320	20	L-N:2kV,L-PE:2kV,N-PE:2kV	Ip20	UL94 V-0	40.8x38x18.8	AC Power			<input type="checkbox"/>	<input type="checkbox"/>	<input type="checkbox"/>	<input type="checkbox"/>
BSPD230C20PF-02	T2	L-N,L-PE,N-PE	230	320	20	L-N:2.5kV,L-PE:2.5kV,N-PE:2.5kV	Ip20	UL94 V-0	38.5x16.7x24	AC Power			<input type="checkbox"/>	<input type="checkbox"/>	<input type="checkbox"/>	<input type="checkbox"/>

产品型号 Part Number	最大工作电压 Maximum Allowable Voltage		1mA压敏电压 Varistor Voltage V_{1mA} (V)			GDT标称电压 DC Breakdown Voltage(V_{BR}) 100V/s (V)	配置电容 Capacitance Co(pF)	保护水平 Up	通流能力 Withstanding Surge Current		防水等级 IP code	阻燃等级 Flame Rating	尺寸 Size LxWxH(mm)	应用 Application	电路符号 Circuit	产品外观 Outline	认证 Certificate			
	AC.rms	DC	Min	Ave	Max				I _n	I _{max}							UL497B	UL1449	TUV	CQC
BSPDPV20K-670H1	510	670	612	680	748	1680V±20%	0	1.8	10	20	IP20	UL94 V-0	34.2×14.3×30.3	AC/DC Power			<input type="radio"/>	<input type="radio"/>	<input type="radio"/>	<input type="radio"/>
BSPDPV20K-890H1	680	890	819	910	1001	2000V±20%	0	2.6	10	20	IP20	UL94 V-0	34.2×14.3×30.3	AC/DC Power			<input type="radio"/>	<input type="radio"/>	<input type="radio"/>	<input type="radio"/>
BSPDPV20K-670H2	510	670	612	680	748	1680V±20%	47-1000	1.8	10	20	IP20	UL94 V-0	34.2×14.3×30.3	AC/DC Power			<input type="radio"/>	<input type="radio"/>	<input type="radio"/>	<input type="radio"/>
BSPDPV20K-890H2	680	890	819	910	1001	2000V±20%	47-1000	2.6	10	20	IP20	UL94 V-0	34.2×14.3×30.3	AC/DC Power			<input type="radio"/>	<input type="radio"/>	<input type="radio"/>	<input type="radio"/>

产品型号 Part Number	最大工作电压 Maximum Allowable Voltage		1mA压敏电压 Varistor Voltage V_{1mA} (V)			通流能力 Withstanding Surge Current		防水等级 IP code	阻燃等级 Flame Rating	尺寸 Size LxWxH(mm)	应用 Application	电路符号 Circuit	产品外观 Outline	备注 Remarks			
	AC.rms	DC	Min	Max	Ave	I _n	I _{max}							UL497B	UL1449	TUV	CQC
BSPDPV20K-170L	130	170	180	220	200	10	20	IP20	UL94 V-0	33.5x12.0x30.0	AC/DC Power			<input type="radio"/>	<input type="radio"/>	<input type="radio"/>	<input type="radio"/>
BSPDPV20K-180L	140	180	198	242	220	10	20	IP20	UL94 V-0	33.5x12.0x30.0	AC/DC Power			<input type="radio"/>	<input type="radio"/>	<input type="radio"/>	<input type="radio"/>
BSPDPV20K-200L	150	200	216	264	240	10	20	IP20	UL94 V-0	33.5x12.0x30.0	AC/DC Power			<input type="radio"/>	<input type="radio"/>	<input type="radio"/>	<input type="radio"/>
BSPDPV20K-225L	175	225	243	297	270	10	20	IP20	UL94 V-0	33.5x12.0x30.0	AC/DC Power			<input type="radio"/>	<input type="radio"/>	<input type="radio"/>	<input type="radio"/>
BSPDPV20K-250L	190	250	270	330	300	10	20	IP20	UL94 V-0	33.5x12.0x30.0	AC/DC Power			<input type="radio"/>	<input type="radio"/>	<input type="radio"/>	<input type="radio"/>
BSPDPV20K-275L	210	275	297	363	330	10	20	IP20	UL94 V-0	33.5x12.0x30.0	AC/DC Power			<input type="radio"/>	<input type="radio"/>	<input type="radio"/>	<input type="radio"/>
BSPDPV20K-300L	230	300	324	396	360	10	20	IP20	UL94 V-0	33.5x12.0x30.0	AC/DC Power			<input type="radio"/>	<input type="radio"/>	<input type="radio"/>	<input type="radio"/>
BSPDPV20K-320L	250	320	351	429	390	10	20	IP20	UL94 V-0	33.5x12.0x30.0	AC/DC Power			<input type="radio"/>	<input type="radio"/>	<input type="radio"/>	<input type="radio"/>
BSPDPV20K-350L	275	350	387	473	430	10	20	IP20	UL94 V-0	33.5x12.0x30.0	AC/DC Power			<input type="radio"/>	<input type="radio"/>	<input type="radio"/>	<input type="radio"/>
BSPDPV20K-385L	300	385	423	517	470	10	20	IP20	UL94 V-0	33.5x12.0x30.0	AC/DC Power			<input type="radio"/>	<input type="radio"/>	<input type="radio"/>	<input type="radio"/>
BSPDPV20K-415L	320	415	459	561	510	10	20	IP20	UL94 V-0	33.5x12.0x30.0	AC/DC Power			<input type="radio"/>	<input type="radio"/>	<input type="radio"/>	<input type="radio"/>
BSPDPV20K-460L	350	460	504	616	560	10	20	IP20	UL94 V-0	33.5x12.0x30.0	AC/DC Power			<input type="radio"/>	<input type="radio"/>	<input type="radio"/>	<input type="radio"/>
BSPDPV20K-505L	385	505	558	682	620	10	20	IP20	UL94 V-0	33.5x12.0x30.0	AC/DC Power			<input type="radio"/>	<input type="radio"/>	<input type="radio"/>	<input type="radio"/>
BSPDPV20K-560L	420	560	612	748	680	10	20	IP20	UL94 V-0	33.5x12.0x30.0	AC/DC Power			<input type="radio"/>	<input type="radio"/>	<input type="radio"/>	<input type="radio"/>
BSPDPV20K-615L	460	615	675	825	750	10	20	IP20	UL94 V-0	33.5x12.0x30.0	AC/DC Power			<input type="radio"/>	<input type="radio"/>	<input type="radio"/>	<input type="radio"/>
BSPDPV20K-670L	510	670	738	902	820	10	20	IP20	UL94 V-0	33.5x12.0x30.0	AC/DC Power			<input type="radio"/>	<input type="radio"/>	<input type="radio"/>	<input type="radio"/>
BSPDPV20K-745L	575	745	819	1001	910	10	20	IP20	UL94 V-0	33.5x12.0x30.0	AC/DC Power			<input type="radio"/>	<input type="radio"/>	<input type="radio"/>	<input type="radio"/>
BSPDPV20K-780L	625	780	855	1045	950	10	20	IP20	UL94 V-0	33.5x12.0x30.0	AC/DC Power			<input type="radio"/>	<input type="radio"/>	<input type="radio"/>	<input type="radio"/>
BSPDPV20K-825L	625	825	900	1100	1000	10	20	IP20	UL94 V-0	33.5x12.0x30.0	AC/DC Power			<input type="radio"/>	<input type="radio"/>	<input type="radio"/>	<input type="radio"/>
BSPDPV20K-895L	680	895	990	1210	1100	10	20	IP20	UL94 V-0	33.5x12.0x30.0	AC/DC Power			<input type="radio"/>	<input type="radio"/>	<input type="radio"/>	<input type="radio"/>
BSPDPV20K-990L	750	990	1080	1320	1200	10	20	IP20	UL94 V-0	33.5x12.0x30.0	AC/DC Power	<input type="radio"/>	<input type="radio"/>	<input type="radio"/>	<input type="radio"/>		

产品型号 Part Number	推荐最大 工作电压 Recommended MCOV VAC(V)	UI认证最大 工作电压 UL MCOV VAC(V)	分立器件特性 Split Components Parameters		平台电压 Platform voltage V1000V/us(V)	尖峰电压 Peak voltage V1000V/us(V)	通流能力 Withstanding Surge Current	最大能量 Maximum Energy 10/1000us(J)	结电容 Typical Capacitance (Reference) @1kHz (pf)	尺寸 Size LxWxH(mm)	应用 Application	电路符号 Circuit	产品外观 Outline	认证 Certifisate			
			压敏直流电压 MOV Voltage V1mA(V)	气体放电管直流开启电压 GDT Voltage V100V/S(V)										UL497B	UL1449	TUV	CQC
BMG07D820K091Y	55	70	82(74~90)	90(72~108)	≤150	≤710	40@1.2/50-8/20μs 2kV-1kA	10	5	10x9x7.5	AC Power			<input type="checkbox"/>	<input checked="" type="checkbox"/>	<input type="checkbox"/>	<input checked="" type="checkbox"/>
BMG07D820K351Y	60	70	82(74~90)	350(280~420)	≤150	≤1020	40@1.2/50-8/20μs 2kV-1kA	10	5	10x9x7.5	AC Power			<input type="checkbox"/>	<input checked="" type="checkbox"/>	<input type="checkbox"/>	<input checked="" type="checkbox"/>
BMG07D101K091Y	70	85	100(90~110)	90(72~108)	≤180	≤710	40@1.2/50-8/20μs 2kV-1kA	12.5	5	10x9x7.5	AC Power			<input type="checkbox"/>	<input checked="" type="checkbox"/>	<input type="checkbox"/>	<input checked="" type="checkbox"/>
BMG07D101K351Y	75	85	100(90~110)	350(280~420)	≤180	≤1020	40@1.2/50-8/20μs 2kV-1kA	12.5	5	10x9x7.5	AC Power			<input type="checkbox"/>	<input checked="" type="checkbox"/>	<input type="checkbox"/>	<input checked="" type="checkbox"/>
BMG07D121K091Y	80	100	120(108~132)	90(72~108)	≤210	≤710	40@1.2/50-8/20μs 2kV-1kA	13	5	10x9x7.5	AC Power			<input type="checkbox"/>	<input checked="" type="checkbox"/>	<input type="checkbox"/>	<input checked="" type="checkbox"/>
BMG07D121K351Y	90	100	120(108~132)	350(280~420)	≤210	≤1020	40@1.2/50-8/20μs 2kV-1kA	13	5	10x9x8.0	AC Power			<input type="checkbox"/>	<input checked="" type="checkbox"/>	<input type="checkbox"/>	<input checked="" type="checkbox"/>
BMG07D151K091Y	100	120	150(135~165)	90(72~108)	≤270	≤708	40@1.2/50-8/20μs 2kV-1kA	15	5	10x9x8.0	AC Power			<input type="checkbox"/>	<input checked="" type="checkbox"/>	<input type="checkbox"/>	<input checked="" type="checkbox"/>
BMG07D151K351Y	115	120	150(135~165)	350(280~420)	≤270	≤1020	40@1.2/50-8/20μs 2kV-1kA	15	5	10x9x8.0	AC Power			<input type="checkbox"/>	<input checked="" type="checkbox"/>	<input type="checkbox"/>	<input checked="" type="checkbox"/>
BMG07D181K091Y	120	150	180(162~198)	90(72~108)	≤320	≤710	40@1.2/50-8/20μs 2kV-1kA	16	5	10x9x8.0	AC Power			<input type="checkbox"/>	<input checked="" type="checkbox"/>	<input type="checkbox"/>	<input checked="" type="checkbox"/>
BMG07D181K351Y	135	150	180(162~198)	350(280~420)	≤320	≤1020	40@1.2/50-8/20μs 2kV-1kA	16	5	10x9x8.0	AC Power			<input type="checkbox"/>	<input checked="" type="checkbox"/>	<input type="checkbox"/>	<input checked="" type="checkbox"/>
BMG07D201K091Y	140	170	200(180~220)	90(72~108)	≤350	≤710	40@1.2/50-8/20μs 2kV-1kA	17	5	10x9x8.0	AC Power			<input type="checkbox"/>	<input checked="" type="checkbox"/>	<input type="checkbox"/>	<input checked="" type="checkbox"/>
BMG07D201K351Y	145	170	200(180~220)	350(280~420)	≤350	≤1020	40@1.2/50-8/20μs 2kV-1kA	17	5	10x9x8.0	AC Power			<input type="checkbox"/>	<input checked="" type="checkbox"/>	<input type="checkbox"/>	<input checked="" type="checkbox"/>
BMG07D221K351Y	150	185	220(198~242)	350(280~420)	≤390	≤1020	40@1.2/50-8/20μs 2kV-1kA	19	5	10x9x8.0	AC Power			<input type="checkbox"/>	<input checked="" type="checkbox"/>	<input type="checkbox"/>	<input checked="" type="checkbox"/>
BMG07D221K601Y	170	185	220(198~242)	600(480~720)	≤390	≤1320	40@1.2/50-8/20μs 2kV-1kA	19	5	10x9x8.0	AC Power			<input type="checkbox"/>	<input checked="" type="checkbox"/>	<input type="checkbox"/>	<input checked="" type="checkbox"/>
BMG07D241K351Y	160	200	240(216~264)	350(280~420)	≤430	≤1020	40@1.2/50-8/20μs 2kV-1kA	21	5	10x9x8.0	AC Power			<input type="checkbox"/>	<input checked="" type="checkbox"/>	<input type="checkbox"/>	<input checked="" type="checkbox"/>
BMG07D241K601Y	180	200	240(216~264)	600(480~720)	≤430	≤1320	40@1.2/50-8/20μs 2kV-1kA	21	5	10x9x8.0	AC Power			<input type="checkbox"/>	<input checked="" type="checkbox"/>	<input type="checkbox"/>	<input checked="" type="checkbox"/>
BMG07D271K351Y	190	230	270(243~297)	350(280~420)	≤480	≤1020	40@1.2/50-8/20μs 2kV-1kA	24	5	10x9x8.0	AC Power			<input type="checkbox"/>	<input checked="" type="checkbox"/>	<input type="checkbox"/>	<input checked="" type="checkbox"/>
BMG07D271K601Y	210	230	270(243~297)	600(480~720)	≤480	≤1320	40@1.2/50-8/20μs 2kV-1kA	24	5	10x9x8.0	AC Power			<input type="checkbox"/>	<input checked="" type="checkbox"/>	<input type="checkbox"/>	<input checked="" type="checkbox"/>
BMG07D301K351Y	200	250	300(270~330)	350(280~420)	≤530	≤1020	40@1.2/50-8/20μs 2kV-1kA	26	5	10x9x8.5	AC Power			<input type="checkbox"/>	<input checked="" type="checkbox"/>	<input type="checkbox"/>	<input checked="" type="checkbox"/>
BMG07D301K601Y	230	250	300(270~330)	600(480~720)	≤530	≤1320	40@1.2/50-8/20μs 2kV-1kA	26	5	10x9x8.5	AC Power			<input type="checkbox"/>	<input checked="" type="checkbox"/>	<input type="checkbox"/>	<input checked="" type="checkbox"/>
BMG07D331K351Y	220	280	330(297~363)	350(280~420)	≤580	≤1020	40@1.2/50-8/20μs 2kV-1kA	28	5	10x9x8.5	AC Power			<input type="checkbox"/>	<input checked="" type="checkbox"/>	<input type="checkbox"/>	<input checked="" type="checkbox"/>
BMG07D331K601Y	250	280	330(297~363)	600(480~720)	≤580	≤1320	40@1.2/50-8/20μs 2kV-1kA	28	5	10x9x8.5	AC Power			<input type="checkbox"/>	<input checked="" type="checkbox"/>	<input type="checkbox"/>	<input checked="" type="checkbox"/>
BMG07D361K351Y	240	300	360(324~396)	350(280~420)	≤640	≤1020	40@1.2/50-8/20μs 2kV-1kA	32	5	10x9x8.5	AC Power			<input type="checkbox"/>	<input checked="" type="checkbox"/>	<input type="checkbox"/>	<input checked="" type="checkbox"/>
BMG07D361K601Y	270	300	360(324~396)	600(480~720)	≤640	≤1320	40@1.2/50-8/20μs 2kV-1kA	32	5	10x9x8.5	AC Power			<input type="checkbox"/>	<input checked="" type="checkbox"/>	<input type="checkbox"/>	<input checked="" type="checkbox"/>
BMG07D391K351Y	260	330	390(351~429)	350(280~420)	≤690	≤1020	40@1.2/50-8/20μs 2kV-1kA	35	5	10x9x9.0	AC Power			<input type="checkbox"/>	<input checked="" type="checkbox"/>	<input type="checkbox"/>	<input checked="" type="checkbox"/>
BMG07D391K102Y	310	330	390(351~429)	1000(800~1200)	≤690	≤1800	40@1.2/50-8/20μs 2kV-1kA	35	5	10x9x9.0	AC Power			<input type="checkbox"/>	<input checked="" type="checkbox"/>	<input type="checkbox"/>	<input checked="" type="checkbox"/>
BMG07D431K601Y	300	360	430(387~473)	600(480~720)	≤760	≤1320	40@1.2/50-8/20μs 2kV-1kA	40	5	10x9x9.0	AC Power			<input type="checkbox"/>	<input checked="" type="checkbox"/>	<input type="checkbox"/>	<input checked="" type="checkbox"/>
BMG07D431K102Y	330	360	430(387~473)	1000(800~1200)	≤760	≤1800	40@1.2/50-8/20μs 2kV-1kA	40	5	10x9x9.0	AC Power			<input type="checkbox"/>	<input checked="" type="checkbox"/>	<input type="checkbox"/>	<input checked="" type="checkbox"/>
BMG07D471K601Y	320	390	470(423~517)	600(480~720)	≤830	≤1320	40@1.2/50-8/20μs 2kV-1kA	42	5	10x9x9.0	AC Power			<input type="checkbox"/>	<input checked="" type="checkbox"/>	<input type="checkbox"/>	<input checked="" type="checkbox"/>
BMG07D471K102Y	360	390	470(423~517)	1000(800~1200)	≤830	≤1800	40@1.2/50-8/20μs 2kV-1kA	42	5	10x9x9.0	AC Power			<input type="checkbox"/>	<input checked="" type="checkbox"/>	<input type="checkbox"/>	<input checked="" type="checkbox"/>
BMG07D511K601Y	340	420	510(459~561)	600(480~720)	≤986	≤1320	40@1.2/50-8/20μs 2kV-1kA	45	5	10x9x9.0	AC Power			<input type="checkbox"/>	<input checked="" type="checkbox"/>	<input type="checkbox"/>	<input checked="" type="checkbox"/>
BMG07D511K102Y	390	420	510(459~561)	1000(800~1200)	≤900	≤1800	40@1.2/50-8/20μs 2kV-1kA	45	5	10x9x9.0	AC Power			<input type="checkbox"/>	<input checked="" type="checkbox"/>	<input type="checkbox"/>	<input checked="" type="checkbox"/>

产品型号 Part Number	推荐最大 工作电压 Recommended MCOV VAC(V)	UI认证最大 工作电压 UL MCOV VAC(V)	分立器件特性 Split Components Parameters		平台电压 Platform voltage V1000V/us(V)	尖峰电压 Peak voltage V1000V/us(V)	通流能力 Withstanding Surge Current	最大能量 Maximum Energy 10/1000μs(J)	结电容 Typical Capacitance (Reference) @1kHz (pf)	尺寸 Size LxWxH(mm)	应用 Application	电路符号 Circuit	产品外观 Outline	认证 Certifisate			
			压敏直流电压 MOV Voltage V1mA(V)	气体放电管直流开启电压 GDT Voltage V100V/S(V)										UL497B	UL1449	TUV	CQC
BMG07D561K601Y	370	460	560(504~616)	600(480~720)	≤986	≤1320	40@1.2/50-8/20μs 2kV-1kA	49	5	10x9x9.0	AC Power			<input type="checkbox"/>	<input checked="" type="checkbox"/>	<input type="checkbox"/>	<input checked="" type="checkbox"/>
BMG07D561K102Y	420	460	560(504~616)	1000(800~1200)	≤990	≤1800	40@1.2/50-8/20μs 2kV-1kA	49	5	10x9x9.0	AC Power			<input type="checkbox"/>	<input checked="" type="checkbox"/>	<input type="checkbox"/>	<input checked="" type="checkbox"/>
BMG07D621K601Y	400	510	620(558~682)	600(480~720)	≤1100	≤1320	40@1.2/50-8/20μs 2kV-1kA	55	5	10x9x10.0	AC Power			<input type="checkbox"/>	<input checked="" type="checkbox"/>	<input type="checkbox"/>	<input checked="" type="checkbox"/>
BMG07D621K102Y	460	510	620(558~682)	1000(800~1200)	≤1100	≤1800	40@1.2/50-8/20μs 2kV-1kA	55	5	10x9x10.0	AC Power			<input type="checkbox"/>	<input checked="" type="checkbox"/>	<input type="checkbox"/>	<input checked="" type="checkbox"/>
BMG07D681K601Y	440	550	680(612~748)	600(480~720)	≤1200	≤1320	40@1.2/50-8/20μs 2kV-1kA	60	5	10x9x10.0	AC Power			<input type="checkbox"/>	<input checked="" type="checkbox"/>	<input type="checkbox"/>	<input checked="" type="checkbox"/>
BMG07D681K102Y	520	550	680(612~748)	1000(800~1200)	≤1200	≤1800	40@1.2/50-8/20μs 2kV-1kA	60	5	10x9x10.0	AC Power			<input type="checkbox"/>	<input checked="" type="checkbox"/>	<input type="checkbox"/>	<input checked="" type="checkbox"/>
BMG07D751K601Y	480	600	750(675~825)	600(480~720)	≤1320	≤1320	40@1.2/50-8/20μs 2kV-1kA	64	5	10x9x10.0	AC Power			<input type="checkbox"/>	<input checked="" type="checkbox"/>	<input type="checkbox"/>	<input checked="" type="checkbox"/>
BMG07D751K102Y	560	600	750(675~825)	1000(800~1200)	≤1320	≤1800	40@1.2/50-8/20μs 2kV-1kA	64	5	10x9x10.0	AC Power			<input type="checkbox"/>	<input checked="" type="checkbox"/>	<input type="checkbox"/>	<input checked="" type="checkbox"/>
BMG10D820K091Y	55	70	82(74~90)	90(72~108)	≤150	≤710	40@1.2/50-8/20μs 4kV-2kA	17	5	15x13x7.5	AC Power			<input type="checkbox"/>	<input checked="" type="checkbox"/>	<input type="checkbox"/>	<input checked="" type="checkbox"/>
BMG10D820K351Y	60	70	82(74~90)	350(280~420)	≤150	≤1020	40@1.2/50-8/20μs 4kV-2kA	17	5	15x13x7.5	AC Power			<input type="checkbox"/>	<input checked="" type="checkbox"/>	<input type="checkbox"/>	<input checked="" type="checkbox"/>
BMG10D101K091Y	70	85	100(90~110)	90(72~108)	≤180	≤710	40@1.2/50-8/20μs 4kV-2kA	18	5	15x13x7.5	AC Power			<input type="checkbox"/>	<input checked="" type="checkbox"/>	<input type="checkbox"/>	<input checked="" type="checkbox"/>
BMG10D101K351Y	75	85	100(90~110)	350(280~420)	≤180	≤1020	40@1.2/50-8/20μs 4kV-2kA	18	5	15x13x7.5	AC Power			<input type="checkbox"/>	<input checked="" type="checkbox"/>	<input type="checkbox"/>	<input checked="" type="checkbox"/>
BMG10D121K091Y	80	100	120(108~132)	90(72~108)	≤210	≤710	40@1.2/50-8/20μs 4kV-2kA	21	5	15x13x7.5	AC Power			<input type="checkbox"/>	<input checked="" type="checkbox"/>	<input type="checkbox"/>	<input checked="" type="checkbox"/>
BMG10D121K351Y	90	100	120(108~132)	350(280~420)	≤210	≤1020	40@1.2/50-8/20μs 4kV-2kA	21	5	15x13x8.0	AC Power			<input type="checkbox"/>	<input checked="" type="checkbox"/>	<input type="checkbox"/>	<input checked="" type="checkbox"/>
BMG10D151K091Y	100	120	150(135~165)	90(72~108)	≤270	≤708	40@1.2/50-8/20μs 4kV-2kA	25	5	15x13x8.0	AC Power			<input type="checkbox"/>	<input checked="" type="checkbox"/>	<input type="checkbox"/>	<input checked="" type="checkbox"/>
BMG10D151K351Y	115	120	150(135~165)	350(280~420)	≤270	≤1020	40@1.2/50-8/20μs 4kV-2kA	25	5	15x13x8.0	AC Power			<input type="checkbox"/>	<input checked="" type="checkbox"/>	<input type="checkbox"/>	<input checked="" type="checkbox"/>
BMG10D181K091Y	120	150	180(162~198)	90(72~108)	≤320	≤710	40@1.2/50-8/20μs 4kV-2kA	30	5	15x13x8.0	AC Power			<input type="checkbox"/>	<input checked="" type="checkbox"/>	<input type="checkbox"/>	<input checked="" type="checkbox"/>
BMG10D181K351Y	135	150	180(162~198)	350(280~420)	≤320	≤1020	40@1.2/50-8/20μs 4kV-2kA	30	5	15x13x8.0	AC Power			<input type="checkbox"/>	<input checked="" type="checkbox"/>	<input type="checkbox"/>	<input checked="" type="checkbox"/>
BMG10D201K091Y	140	170	200(180~220)	90(72~108)	≤350	≤710	40@1.2/50-8/20μs 4kV-2kA	35	5	15x13x8.0	AC Power			<input type="checkbox"/>	<input checked="" type="checkbox"/>	<input type="checkbox"/>	<input checked="" type="checkbox"/>
BMG10D201K351Y	145	170	200(180~220)	350(280~420)	≤350	≤1020	40@1.2/50-8/20μs 4kV-2kA	35	5	15x13x8.0	AC Power			<input type="checkbox"/>	<input checked="" type="checkbox"/>	<input type="checkbox"/>	<input checked="" type="checkbox"/>
BMG10D221K351Y	150	185	220(198~242)	350(280~420)	≤390	≤1020	40@1.2/50-8/20μs 4kV-2kA	39	5	15x13x8.0	AC Power			<input type="checkbox"/>	<input checked="" type="checkbox"/>	<input type="checkbox"/>	<input checked="" type="checkbox"/>
BMG10D221K601Y	170	185	220(198~242)	600(480~720)	≤390	≤1320	40@1.2/50-8/20μs 4kV-2kA	39	5	15x13x8.0	AC Power			<input type="checkbox"/>	<input checked="" type="checkbox"/>	<input type="checkbox"/>	<input checked="" type="checkbox"/>
BMG10D241K351Y	160	200	240(216~264)	350(280~420)	≤430	≤1020	40@1.2/50-8/20μs 4kV-2kA	42	5	15x13x8.0	AC Power			<input type="checkbox"/>	<input checked="" type="checkbox"/>	<input type="checkbox"/>	<input checked="" type="checkbox"/>
BMG10D241K601Y	180	200	240(216~264)	600(480~720)	≤430	≤1320	40@1.2/50-8/20μs 4kV-2kA	42	5	15x13x8.0	AC Power			<input type="checkbox"/>	<input checked="" type="checkbox"/>	<input type="checkbox"/>	<input checked="" type="checkbox"/>
BMG10D271K351Y	190	230	270(243~297)	350(280~420)	≤480	≤1020	40@1.2/50-8/20μs 4kV-2kA	49	5	15x13x8.0	AC Power			<input type="checkbox"/>	<input checked="" type="checkbox"/>	<input type="checkbox"/>	<input checked="" type="checkbox"/>
BMG10D271K601Y	210	230	270(243~297)	600(480~720)	≤480	≤1320	40@1.2/50-8/20μs 4kV-2kA	49	5	15x13x8.0	AC Power			<input type="checkbox"/>	<input checked="" type="checkbox"/>	<input type="checkbox"/>	<input checked="" type="checkbox"/>
BMG10D301K351Y	200	250	300(270~330)	350(280~420)	≤530	≤1020	40@1.2/50-8/20μs 4kV-2kA	54	5	15x13x8.5	AC Power			<input type="checkbox"/>	<input checked="" type="checkbox"/>	<input type="checkbox"/>	<input checked="" type="checkbox"/>
BMG10D301K601Y	230	250	300(270~330)	600(480~720)	≤530	≤1320	40@1.2/50-8/20μs 4kV-2kA	54	5	15x13x8.5	AC Power			<input type="checkbox"/>	<input checked="" type="checkbox"/>	<input type="checkbox"/>	<input checked="" type="checkbox"/>
BMG10D331K351Y	220	280	330(297~363)	350(280~420)	≤580	≤1020	40@1.2/50-8/20μs 4kV-2kA	58	5	15x13x8.5	AC Power			<input type="checkbox"/>	<input checked="" type="checkbox"/>	<input type="checkbox"/>	<input checked="" type="checkbox"/>
BMG10D331K601Y	250	280	330(297~363)	600(480~720)	≤580	≤1320	40@1.2/50-8/20μs 4kV-2kA	58	5	15x13x8.5	AC Power			<input type="checkbox"/>	<input checked="" type="checkbox"/>	<input type="checkbox"/>	<input checked="" type="checkbox"/>
BMG10D361K351Y	240	300	360(324~396)	350(280~420)	≤640	≤1020	40@1.2/50-8/20μs 4kV-2kA	65	5	15x13x8.5	AC Power			<input type="checkbox"/>	<input checked="" type="checkbox"/>	<input type="checkbox"/>	<input checked="" type="checkbox"/>
BMG10D361K601Y	270	300	360(324~396)	600(480~720)	≤640	≤1320	40@1.2/50-8/20μs 4kV-2kA	65	5	15x13x8.5	AC Power			<input type="checkbox"/>	<input checked="" type="checkbox"/>	<input type="checkbox"/>	<input checked="" type="checkbox"/>

产品型号 Part Number	推荐最大 工作电压 Recommended MCOV VAC(V)	UI认证最大 工作电压 UL MCOV VAC(V)	分立器件特性 Split Components Parameters		平台电压 Platform voltage V1000V/us(V)	尖峰电压 Peak voltage V1000V/us(V)	通流能力 Withstanding Surge Current	最大能量 Maximum Energy 10/1000μs(J)	结电容 Typical Capacitance (Reference) @1kHz (pf)	尺寸 Size LxWxH(mm)	应用 Application	电路符号 Circuit	产品外观 Outline	认证 Certifisate			
			压敏直流电压 MOV Voltage V1mA(V)	气体放电管直流开启电压 GDT Voltage V100V/S(V)										UL497B	UL1449	TUV	CQC
BMG10D391K351Y	260	330	390(351~429)	350(280~420)	≤690	≤1020	40@1.2/50-8/20μs 4kV-2kA	70	5	15x13x9.0	AC Power			<input type="checkbox"/>	<input checked="" type="checkbox"/>	<input type="checkbox"/>	<input checked="" type="checkbox"/>
BMG10D391K102Y	310	330	390(351~429)	1000(800~1200)	≤690	≤1800	40@1.2/50-8/20μs 4kV-2kA	70	5	15x13x9.0	AC Power			<input type="checkbox"/>	<input checked="" type="checkbox"/>	<input type="checkbox"/>	<input checked="" type="checkbox"/>
BMG10D431K601Y	300	360	430(387~473)	600(480~720)	≤760	≤1320	40@1.2/50-8/20μs 4kV-2kA	80	5	15x13x9.0	AC Power			<input type="checkbox"/>	<input checked="" type="checkbox"/>	<input type="checkbox"/>	<input checked="" type="checkbox"/>
BMG10D431K102Y	330	360	430(387~473)	1000(800~1200)	≤760	≤1800	40@1.2/50-8/20μs 4kV-2kA	80	5	15x13x9.0	AC Power			<input type="checkbox"/>	<input checked="" type="checkbox"/>	<input type="checkbox"/>	<input checked="" type="checkbox"/>
BMG10D471K601Y	320	390	470(423~517)	600(480~720)	≤830	≤1320	40@1.2/50-8/20μs 4kV-2kA	85	5	15x13x9.0	AC Power			<input type="checkbox"/>	<input checked="" type="checkbox"/>	<input type="checkbox"/>	<input checked="" type="checkbox"/>
BMG10D471K102Y	360	390	470(423~517)	1000(800~1200)	≤830	≤1800	40@1.2/50-8/20μs 4kV-2kA	85	5	15x13x9.0	AC Power			<input type="checkbox"/>	<input checked="" type="checkbox"/>	<input type="checkbox"/>	<input checked="" type="checkbox"/>
BMG10D511K601Y	340	420	510(459~561)	600(480~720)	≤986	≤1320	40@1.2/50-8/20μs 4kV-2kA	90	5	15x13x9.0	AC Power			<input type="checkbox"/>	<input checked="" type="checkbox"/>	<input type="checkbox"/>	<input checked="" type="checkbox"/>
BMG10D511K102Y	390	420	510(459~561)	1000(800~1200)	≤900	≤1800	40@1.2/50-8/20μs 4kV-2kA	90	5	15x13x9.0	AC Power			<input type="checkbox"/>	<input checked="" type="checkbox"/>	<input type="checkbox"/>	<input checked="" type="checkbox"/>
BMG10D561K601Y	370	460	560(504~616)	600(480~720)	≤986	≤1320	40@1.2/50-8/20μs 4kV-2kA	92	5	15x13x9.0	AC Power			<input type="checkbox"/>	<input checked="" type="checkbox"/>	<input type="checkbox"/>	<input checked="" type="checkbox"/>
BMG10D561K102Y	420	460	560(504~616)	1000(800~1200)	≤990	≤1800	40@1.2/50-8/20μs 4kV-2kA	92	5	15x13x9.0	AC Power			<input type="checkbox"/>	<input checked="" type="checkbox"/>	<input type="checkbox"/>	<input checked="" type="checkbox"/>
BMG10D621K601Y	400	510	620(558~682)	600(480~720)	≤1100	≤1320	40@1.2/50-8/20μs 4kV-2kA	95	5	15x13x10.0	AC Power			<input type="checkbox"/>	<input checked="" type="checkbox"/>	<input type="checkbox"/>	<input checked="" type="checkbox"/>
BMG10D621K102Y	460	510	620(558~682)	1000(800~1200)	≤1100	≤1800	40@1.2/50-8/20μs 4kV-2kA	95	5	15x13x10.0	AC Power			<input type="checkbox"/>	<input checked="" type="checkbox"/>	<input type="checkbox"/>	<input checked="" type="checkbox"/>
BMG10D681K601Y	440	550	680(612~748)	600(480~720)	≤1200	≤1320	40@1.2/50-8/20μs 4kV-2kA	98	5	15x13x10.0	AC Power			<input type="checkbox"/>	<input checked="" type="checkbox"/>	<input type="checkbox"/>	<input checked="" type="checkbox"/>
BMG10D681K102Y	520	550	680(612~748)	1000(800~1200)	≤1200	≤1800	40@1.2/50-8/20μs 4kV-2kA	98	5	15x13x10.0	AC Power			<input type="checkbox"/>	<input checked="" type="checkbox"/>	<input type="checkbox"/>	<input checked="" type="checkbox"/>
BMG10D751K601Y	480	600	750(675~825)	600(480~720)	≤1320	≤1320	40@1.2/50-8/20μs 4kV-2kA	100	5	15x13x10.0	AC Power			<input type="checkbox"/>	<input checked="" type="checkbox"/>	<input type="checkbox"/>	<input checked="" type="checkbox"/>
BMG10D751K102Y	560	600	750(675~825)	1000(800~1200)	≤1320	≤1800	40@1.2/50-8/20μs 4kV-2kA	100	5	15x13x10.0	AC Power			<input type="checkbox"/>	<input checked="" type="checkbox"/>	<input type="checkbox"/>	<input checked="" type="checkbox"/>
BMG14D820K091Y	55	70	82(74~90)	90(72~108)	≤150	≤710	40@1.2/50-8/20μs 6kV-3kA	27	5	20x16x7.5	AC Power			<input type="checkbox"/>	<input checked="" type="checkbox"/>	<input type="checkbox"/>	<input checked="" type="checkbox"/>
BMG14D820K351Y	60	70	82(74~90)	350(280~420)	≤150	≤1020	40@1.2/50-8/20μs 6kV-3kA	27	5	20x16x7.5	AC Power			<input type="checkbox"/>	<input checked="" type="checkbox"/>	<input type="checkbox"/>	<input checked="" type="checkbox"/>
BMG14D101K091Y	70	85	100(90~110)	90(72~108)	≤180	≤710	40@1.2/50-8/20μs 6kV-3kA	33	5	20x16x7.5	AC Power			<input type="checkbox"/>	<input checked="" type="checkbox"/>	<input type="checkbox"/>	<input checked="" type="checkbox"/>
BMG14D101K351Y	75	85	100(90~110)	350(280~420)	≤180	≤1020	40@1.2/50-8/20μs 6kV-3kA	33	5	20x16x7.5	AC Power			<input type="checkbox"/>	<input checked="" type="checkbox"/>	<input type="checkbox"/>	<input checked="" type="checkbox"/>
BMG14D121K091Y	80	100	120(108~132)	90(72~108)	≤210	≤710	40@1.2/50-8/20μs 6kV-3kA	40	5	20x16x7.5	AC Power			<input type="checkbox"/>	<input checked="" type="checkbox"/>	<input type="checkbox"/>	<input checked="" type="checkbox"/>
BMG14D121K351Y	90	100	120(108~132)	350(280~420)	≤210	≤1020	40@1.2/50-8/20μs 6kV-3kA	40	5	20x16x8.0	AC Power			<input type="checkbox"/>	<input checked="" type="checkbox"/>	<input type="checkbox"/>	<input checked="" type="checkbox"/>
BMG14D151K091Y	100	120	150(135~165)	90(72~108)	≤270	≤708	40@1.2/50-8/20μs 6kV-3kA	53	5	20x16x8.0	AC Power			<input type="checkbox"/>	<input checked="" type="checkbox"/>	<input type="checkbox"/>	<input checked="" type="checkbox"/>
BMG14D151K351Y	115	120	150(135~165)	350(280~420)	≤270	≤1020	40@1.2/50-8/20μs 6kV-3kA	53	5	20x16x8.0	AC Power			<input type="checkbox"/>	<input checked="" type="checkbox"/>	<input type="checkbox"/>	<input checked="" type="checkbox"/>
BMG14D181K091Y	120	150	180(162~198)	90(72~108)	≤320	≤710	40@1.2/50-8/20μs 6kV-3kA	60	5	20x16x8.0	AC Power			<input type="checkbox"/>	<input checked="" type="checkbox"/>	<input type="checkbox"/>	<input checked="" type="checkbox"/>
BMG14D181K351Y	135	150	180(162~198)	350(280~420)	≤320	≤1020	40@1.2/50-8/20μs 6kV-3kA	60	5	20x16x8.0	AC Power			<input type="checkbox"/>	<input checked="" type="checkbox"/>	<input type="checkbox"/>	<input checked="" type="checkbox"/>
BMG14D201K091Y	140	170	200(180~220)	90(72~108)	≤350	≤710	40@1.2/50-8/20μs 6kV-3kA	70	5	20x16x8.0	AC Power			<input type="checkbox"/>	<input checked="" type="checkbox"/>	<input type="checkbox"/>	<input checked="" type="checkbox"/>
BMG14D201K351Y	145	170	200(180~220)	350(280~420)	≤350	≤1020	40@1.2/50-8/20μs 6kV-3kA	70	5	20x16x8.0	AC Power			<input type="checkbox"/>	<input checked="" type="checkbox"/>	<input type="checkbox"/>	<input checked="" type="checkbox"/>
BMG14D221K351Y	150	185	220(198~242)	350(280~420)	≤390	≤1020	40@1.2/50-8/20μs 6kV-3kA	78	5	20x16x8.0	AC Power			<input type="checkbox"/>	<input checked="" type="checkbox"/>	<input type="checkbox"/>	<input checked="" type="checkbox"/>
BMG14D221K601Y	170	185	220(198~242)	600(480~720)	≤390	≤1320	40@1.2/50-8/20μs 6kV-3kA	78	5	20x16x8.0	AC Power			<input type="checkbox"/>	<input checked="" type="checkbox"/>	<input type="checkbox"/>	<input checked="" type="checkbox"/>
BMG14D241K351Y	160	200	240(216~264)	350(280~420)	≤430	≤1020	40@1.2/50-8/20μs 6kV-3kA	84	5	20x16x8.0	AC Power			<input type="checkbox"/>	<input checked="" type="checkbox"/>	<input type="checkbox"/>	<input checked="" type="checkbox"/>
BMG14D241K601Y	180	200	240(216~264)	600(480~720)	≤430	≤1320	40@1.2/50-8/20μs 6kV-3kA	84	5	20x16x8.0	AC Power			<input type="checkbox"/>	<input checked="" type="checkbox"/>	<input type="checkbox"/>	<input checked="" type="checkbox"/>

产品型号 Part Number	推荐最大 工作电压 Recommended MCOV VAC(V)	UI认证最大 工作电压 UL MCOV VAC(V)	分立器件特性 Split Components Parameters		平台电压 Platform voltage V1000V/us(V)	尖峰电压 Peak voltage V1000V/us(V)	通流能力 Withstanding Surge Current	最大能量 Maximum Energy 10/1000μs(J)	结电容 Typical Capacitance (Reference) @1kHz (pf)	尺寸 Size LxWxH(mm)	应用 Application	电路符号 Circuit	产品外观 Outline	认证 Certifisate			
			压敏直电压 MOV Voltage V1mA(V)	气体放电管直流开启电压 GDT Voltage V100V/S(V)										UL497B	UL1449	TUV	CQC
BMG14D271K351Y	190	230	270(243~297)	350(280~420)	≤480	≤1020	40@1.2/50-8/20μs 6kV-3kA	99	5	20x16x8.0	AC Power			<input type="checkbox"/>	<input checked="" type="checkbox"/>	<input type="checkbox"/>	<input checked="" type="checkbox"/>
BMG14D271K601Y	210	230	270(243~297)	600(480~720)	≤480	≤1320	40@1.2/50-8/20μs 6kV-3kA	99	5	20x16x8.0	AC Power			<input type="checkbox"/>	<input checked="" type="checkbox"/>	<input type="checkbox"/>	<input checked="" type="checkbox"/>
BMG14D301K351Y	200	250	300(270~330)	350(280~420)	≤530	≤1020	40@1.2/50-8/20μs 6kV-3kA	108	5	20x16x8.5	AC Power			<input type="checkbox"/>	<input checked="" type="checkbox"/>	<input type="checkbox"/>	<input checked="" type="checkbox"/>
BMG14D301K601Y	230	250	300(270~330)	600(480~720)	≤530	≤1320	40@1.2/50-8/20μs 6kV-3kA	108	5	20x16x8.5	AC Power			<input type="checkbox"/>	<input checked="" type="checkbox"/>	<input type="checkbox"/>	<input checked="" type="checkbox"/>
BMG14D331K351Y	220	280	330(297~363)	350(280~420)	≤580	≤1020	40@1.2/50-8/20μs 6kV-3kA	115	5	20x16x8.5	AC Power			<input type="checkbox"/>	<input checked="" type="checkbox"/>	<input type="checkbox"/>	<input checked="" type="checkbox"/>
BMG14D331K601Y	250	280	330(297~363)	600(480~720)	≤580	≤1320	40@1.2/50-8/20μs 6kV-3kA	115	5	20x16x8.5	AC Power			<input type="checkbox"/>	<input checked="" type="checkbox"/>	<input type="checkbox"/>	<input checked="" type="checkbox"/>
BMG14D361K351Y	240	300	360(324~396)	350(280~420)	≤640	≤1020	40@1.2/50-8/20μs 6kV-3kA	130	5	20x16x8.5	AC Power			<input type="checkbox"/>	<input checked="" type="checkbox"/>	<input type="checkbox"/>	<input checked="" type="checkbox"/>
BMG14D361K601Y	270	300	360(324~396)	600(480~720)	≤640	≤1320	40@1.2/50-8/20μs 6kV-3kA	130	5	20x16x8.5	AC Power			<input type="checkbox"/>	<input checked="" type="checkbox"/>	<input type="checkbox"/>	<input checked="" type="checkbox"/>
BMG14D391K351Y	260	330	390(351~429)	350(280~420)	≤690	≤1020	40@1.2/50-8/20μs 6kV-3kA	140	5	20x16x9.0	AC Power			<input type="checkbox"/>	<input checked="" type="checkbox"/>	<input type="checkbox"/>	<input checked="" type="checkbox"/>
BMG14D391K102Y	310	330	390(351~429)	1000(800~1200)	≤690	≤1800	40@1.2/50-8/20μs 6kV-3kA	140	5	20x16x9.0	AC Power			<input type="checkbox"/>	<input checked="" type="checkbox"/>	<input type="checkbox"/>	<input checked="" type="checkbox"/>
BMG14D431K601Y	300	360	430(387~473)	600(480~720)	≤760	≤1320	40@1.2/50-8/20μs 6kV-3kA	155	5	20x16x9.0	AC Power			<input type="checkbox"/>	<input checked="" type="checkbox"/>	<input type="checkbox"/>	<input checked="" type="checkbox"/>
BMG14D431K102Y	330	360	430(387~473)	1000(800~1200)	≤760	≤1800	40@1.2/50-8/20μs 6kV-3kA	155	5	20x16x9.0	AC Power			<input type="checkbox"/>	<input checked="" type="checkbox"/>	<input type="checkbox"/>	<input checked="" type="checkbox"/>
BMG14D471K601Y	320	390	470(423~517)	600(480~720)	≤830	≤1320	40@1.2/50-8/20μs 6kV-3kA	175	5	20x16x9.0	AC Power			<input type="checkbox"/>	<input checked="" type="checkbox"/>	<input type="checkbox"/>	<input checked="" type="checkbox"/>
BMG14D471K102Y	360	390	470(423~517)	1000(800~1200)	≤830	≤1800	40@1.2/50-8/20μs 6kV-3kA	175	5	20x16x9.0	AC Power			<input type="checkbox"/>	<input checked="" type="checkbox"/>	<input type="checkbox"/>	<input checked="" type="checkbox"/>
BMG14D511K601Y	340	420	510(459~561)	600(480~720)	≤986	≤1320	40@1.2/50-8/20μs 6kV-3kA	180	5	20x16x9.0	AC Power			<input type="checkbox"/>	<input checked="" type="checkbox"/>	<input type="checkbox"/>	<input checked="" type="checkbox"/>
BMG14D511K102Y	390	420	510(459~561)	1000(800~1200)	≤900	≤1800	40@1.2/50-8/20μs 6kV-3kA	180	5	20x16x9.0	AC Power			<input type="checkbox"/>	<input checked="" type="checkbox"/>	<input type="checkbox"/>	<input checked="" type="checkbox"/>
BMG14D561K601Y	370	460	560(504~616)	600(480~720)	≤986	≤1320	40@1.2/50-8/20μs 6kV-3kA	185	5	20x16x9.0	AC Power			<input type="checkbox"/>	<input checked="" type="checkbox"/>	<input type="checkbox"/>	<input checked="" type="checkbox"/>
BMG14D561K102Y	420	460	560(504~616)	1000(800~1200)	≤990	≤1800	40@1.2/50-8/20μs 6kV-3kA	185	5	20x16x9.0	AC Power			<input type="checkbox"/>	<input checked="" type="checkbox"/>	<input type="checkbox"/>	<input checked="" type="checkbox"/>
BMG14D621K601Y	400	510	620(558~682)	600(480~720)	≤1100	≤1320	40@1.2/50-8/20μs 6kV-3kA	190	5	20x16x10.0	AC Power			<input type="checkbox"/>	<input checked="" type="checkbox"/>	<input type="checkbox"/>	<input checked="" type="checkbox"/>
BMG14D621K102Y	460	510	620(558~682)	1000(800~1200)	≤1100	≤1800	40@1.2/50-8/20μs 6kV-3kA	190	5	20x16x10.0	AC Power			<input type="checkbox"/>	<input checked="" type="checkbox"/>	<input type="checkbox"/>	<input checked="" type="checkbox"/>
BMG14D681K601Y	440	550	680(612~748)	600(480~720)	≤1200	≤1320	40@1.2/50-8/20μs 6kV-3kA	200	5	20x16x10.0	AC Power			<input type="checkbox"/>	<input checked="" type="checkbox"/>	<input type="checkbox"/>	<input checked="" type="checkbox"/>
BMG14D681K102Y	520	550	680(612~748)	1000(800~1200)	≤1200	≤1800	40@1.2/50-8/20μs 6kV-3kA	200	5	20x16x10.0	AC Power			<input type="checkbox"/>	<input checked="" type="checkbox"/>	<input type="checkbox"/>	<input checked="" type="checkbox"/>
BMG14D751K601Y	480	600	750(675~825)	600(480~720)	≤1320	≤1320	40@1.2/50-8/20μs 6kV-3kA	210	5	20x16x10.0	AC Power			<input type="checkbox"/>	<input checked="" type="checkbox"/>	<input type="checkbox"/>	<input checked="" type="checkbox"/>
BMG14D751K102Y	560	600	750(675~825)	1000(800~1200)	≤1320	≤1800	40@1.2/50-8/20μs 6kV-3kA	210	5	20x16x10.0	AC Power			<input type="checkbox"/>	<input checked="" type="checkbox"/>	<input type="checkbox"/>	<input checked="" type="checkbox"/>
BMG20D820K091Y	55	70	82(74~90)	90(72~108)	≤150	≤710	20@8/20μs 5KA	56	5	25x23x7.5	AC Power			<input type="checkbox"/>	<input checked="" type="checkbox"/>	<input checked="" type="checkbox"/>	<input checked="" type="checkbox"/>
BMG20D820K351Y	60	70	82(74~90)	350(280~420)	≤150	≤1020	20@8/20μs 5KA	56	5	25x23x7.5	AC Power			<input type="checkbox"/>	<input checked="" type="checkbox"/>	<input checked="" type="checkbox"/>	<input checked="" type="checkbox"/>
BMG20D101K091Y	70	85	100(90~110)	90(72~108)	≤180	≤710	20@8/20μs 5KA	70	5	25x23x7.5	AC Power			<input type="checkbox"/>	<input checked="" type="checkbox"/>	<input checked="" type="checkbox"/>	<input checked="" type="checkbox"/>
BMG20D101K351Y	75	85	100(90~110)	350(280~420)	≤180	≤1020	20@8/20μs 5KA	70	5	25x23x7.5	AC Power			<input type="checkbox"/>	<input checked="" type="checkbox"/>	<input checked="" type="checkbox"/>	<input checked="" type="checkbox"/>
BMG20D121K091Y	80	100	120(108~132)	90(72~108)	≤210	≤710	20@8/20μs 5KA	85	5	25x23x7.5	AC Power			<input type="checkbox"/>	<input checked="" type="checkbox"/>	<input checked="" type="checkbox"/>	<input checked="" type="checkbox"/>
BMG20D121K351Y	90	100	120(108~132)	350(280~420)	≤210	≤1020	20@8/20μs 5KA	85	5	25x23x8.0	AC Power			<input type="checkbox"/>	<input checked="" type="checkbox"/>	<input checked="" type="checkbox"/>	<input checked="" type="checkbox"/>
BMG20D151K091Y	100	120	150(135~165)	90(72~108)	≤270	≤708	20@8/20μs 5KA	106	5	25x23x8.0	AC Power			<input type="checkbox"/>	<input checked="" type="checkbox"/>	<input checked="" type="checkbox"/>	<input checked="" type="checkbox"/>
BMG20D151K351Y	115	120	150(135~165)	350(280~420)	≤270	≤1020	20@8/20μs 5KA	106	5	25x23x8.0	AC Power			<input type="checkbox"/>	<input checked="" type="checkbox"/>	<input checked="" type="checkbox"/>	<input checked="" type="checkbox"/>

Environmental Analysis
环境分析

Choose Standard
选择标准

Application Guide
方案指引

Select Components
器件选择

System Test
系统测试

Apply & Optimize
应用优化

产品型号 Part Number	推荐最大 工作电压 Recommended MCOV VAC(V)	UI认证最大 工作电压 UL MCOV VAC(V)	分立器件特性 Split Components Parameters		平台电压 Platform voltage V1000V/us(V)	尖峰电压 Peak voltage V1000V/us(V)	通流能力 Withstanding Surge Current	最大能量 Maximum Energy 10/1000μs(J)	结电容 Typical Capacitance (Reference) @1kHz (pf)	尺寸 Size LxWxH(mm)	应用 Application	电路符号 Circuit	产品外观 Outline	认证 Certifisate			
			压敏直电压 MOV Voltage V1mA(V)	气体放电管直流通流启动电压 GDT Voltage V100V/S(V)										UL497B	UL1449	TUV	CQC
BMG20D181K091Y	120	150	180(162~198)	90(72~108)	≤320	≤710	20@8/20μs 5KA	130	5	25x23x8.0	AC Power			○	●	●	●
BMG20D181K351Y	135	150	180(162~198)	350(280~420)	≤320	≤1020	20@8/20μs 5KA	130	5	25x23x8.0	AC Power			○	●	●	●
BMG20D201K091Y	140	170	200(180~220)	90(72~108)	≤350	≤710	20@8/20μs 5KA	140	5	25x23x8.0	AC Power			○	●	●	●
BMG20D201K351Y	145	170	200(180~220)	350(280~420)	≤350	≤1020	20@8/20μs 5KA	140	5	25x23x8.0	AC Power			○	●	●	●
BMG20D221K351Y	150	185	220(198~242)	350(280~420)	≤390	≤1020	20@8/20μs 5KA	155	5	25x23x8.0	AC Power			○	●	●	●
BMG20D221K601Y	170	185	220(198~242)	600(480~720)	≤390	≤1320	20@8/20μs 5KA	155	5	25x23x8.0	AC Power			○	●	●	●
BMG20D241K351Y	160	200	240(216~264)	350(280~420)	≤430	≤1020	20@8/20μs 5KA	168	5	25x23x8.0	AC Power			○	●	●	●
BMG20D241K601Y	180	200	240(216~264)	600(480~720)	≤430	≤1320	20@8/20μs 5KA	168	5	25x23x8.0	AC Power			○	●	●	●
BMG20D271K351Y	190	230	270(243~297)	350(280~420)	≤480	≤1020	20@8/20μs 5KA	190	5	25x23x8.0	AC Power			○	●	●	●
BMG20D271K601Y	210	230	270(243~297)	600(480~720)	≤480	≤1320	20@8/20μs 5KA	190	5	25x23x8.0	AC Power			○	●	●	●
BMG20D301K351Y	200	250	300(270~330)	350(280~420)	≤530	≤1020	20@8/20μs 5KA	210	5	25x23x8.5	AC Power			○	●	●	●
BMG20D301K601Y	230	250	300(270~330)	600(480~720)	≤530	≤1320	20@8/20μs 5KA	210	5	25x23x8.5	AC Power			○	●	●	●
BMG20D331K351Y	220	280	330(297~363)	350(280~420)	≤580	≤1020	20@8/20μs 5KA	228	5	25x23x8.5	AC Power			○	●	●	●
BMG20D331K601Y	250	280	330(297~363)	600(480~720)	≤580	≤1320	20@8/20μs 5KA	228	5	25x23x8.5	AC Power			○	●	●	●
BMG20D361K351Y	240	300	360(324~396)	350(280~420)	≤640	≤1020	20@8/20μs 5KA	255	5	25x23x8.5	AC Power			○	●	●	●
BMG20D361K601Y	270	300	360(324~396)	600(480~720)	≤640	≤1320	20@8/20μs 5KA	255	5	25x23x8.5	AC Power			○	●	●	●
BMG20D391K351Y	260	330	390(351~429)	350(280~420)	≤690	≤1020	20@8/20μs 5KA	275	5	25x23x9.0	AC Power			○	●	●	●
BMG20D391K102Y	310	330	390(351~429)	1000(800~1200)	≤690	≤1800	20@8/20μs 5KA	275	5	25x23x9.0	AC Power			○	●	●	●
BMG20D431K601Y	300	360	430(387~473)	600(480~720)	≤760	≤1320	20@8/20μs 5KA	305	5	25x23x9.0	AC Power			○	●	●	●
BMG20D431K102Y	330	360	430(387~473)	1000(800~1200)	≤760	≤1800	20@8/20μs 5KA	305	5	25x23x9.0	AC Power			○	●	●	●
BMG20D471K601Y	320	390	470(423~517)	600(480~720)	≤830	≤1320	20@8/20μs 5KA	350	5	25x23x9.0	AC Power			○	●	●	●
BMG20D471K102Y	360	390	470(423~517)	1000(800~1200)	≤830	≤1800	20@8/20μs 5KA	350	5	25x23x9.0	AC Power			○	●	●	●
BMG20D511K601Y	340	420	510(459~561)	600(480~720)	≤986	≤1320	20@8/20μs 5KA	360	5	25x23x9.0	AC Power			○	●	●	●
BMG20D511K102Y	390	420	510(459~561)	1000(800~1200)	≤900	≤1800	20@8/20μs 5KA	360	5	25x23x9.0	AC Power			○	●	●	●
BMG20D561K601Y	370	460	560(504~616)	600(480~720)	≤986	≤1320	20@8/20μs 5KA	380	5	25x23x9.0	AC Power			○	●	●	●
BMG20D561K102Y	420	460	560(504~616)	1000(800~1200)	≤990	≤1800	20@8/20μs 5KA	380	5	25x23x9.0	AC Power			○	●	●	●
BMG20D621K601Y	400	510	620(558~682)	600(480~720)	≤1100	≤1320	20@8/20μs 5KA	390	5	25x23x10.0	AC Power			○	●	●	●
BMG20D621K102Y	460	510	620(558~682)	1000(800~1200)	≤1100	≤1800	20@8/20μs 5KA	390	5	25x23x10.0	AC Power			○	●	●	●
BMG20D681K601Y	440	550	680(612~748)	600(480~720)	≤1200	≤1320	20@8/20μs 5KA	400	5	25x23x10.0	AC Power			○	●	●	●
BMG20D681K102Y	520	550	680(612~748)	1000(800~1200)	≤1200	≤1800	20@8/20μs 5KA	400	5	25x23x10.0	AC Power			○	●	●	●
BMG20D751K601Y	480	600	750(675~825)	600(480~720)	≤1320	≤1320	20@8/20μs 5KA	420	5	25x23x10.0	AC Power			○	●	●	●
BMG20D751K102Y	560	600	750(675~825)	1000(800~1200)	≤1320	≤1800	20@8/20μs 5KA	420	5	25x23x10.0	AC Power			○	●	●	●

产品型号 Part Number		最大允许应用电压 Maximum Allowable Voltage		1mA压敏电压 Varistor Voltage	最大钳位电压 Maximum Clamping Voltage		通流能力 Withstanding Surge Current		焦耳值 Maximum Energy		额定功率 Rated Power	典型电容值 Typical Capacitance	工作温度范围 Operating Temperature	尺寸 Size	应用 Application	电路符号 Circuit	产品外观 Outline	认证 Certifisate			
常规 Normal Energy	高能 High Energy	V _{AC} (V)	V _{DC} (V)	V _{1mA} (V)	I _P (A)	V _C (A)	I (A) Standard	I (A) High Surge	(J) Standard	(J) High Surge	(W)	@1kHz (pf)		LxWxH(mm)				UL497B	UL1449	TUV	CQC
BMOV07D180K	BMOV07D180KH	11	12	18(15~21.6)	2.5	36	250	500	0.9	2	0.02	2800	-40°C~+105°C	13x10x4.85	AC Power			<input type="checkbox"/>	<input checked="" type="checkbox"/>	<input checked="" type="checkbox"/>	<input checked="" type="checkbox"/>
BMOV07D220K	BMOV07D220KH	14	18	22(19.5~26)	2.5	43	250	500	1.1	2.4	0.02	2300	-40°C~+105°C	13x10x4.98	AC Power			<input type="checkbox"/>	<input checked="" type="checkbox"/>	<input checked="" type="checkbox"/>	<input checked="" type="checkbox"/>
BMOV07D270K	BMOV07D270KH	17	22	27(24~31)	2.5	53	250	500	1.4	3	0.02	1800	-40°C~+105°C	13x10x5.17	AC Power			<input type="checkbox"/>	<input checked="" type="checkbox"/>	<input checked="" type="checkbox"/>	<input checked="" type="checkbox"/>
BMOV07D330K	BMOV07D330KH	20	26	33(29.5~36.5)	2.5	65	250	500	1.7	3.5	0.02	1500	-40°C~+105°C	13x10x5.35	AC Power			<input type="checkbox"/>	<input checked="" type="checkbox"/>	<input checked="" type="checkbox"/>	<input checked="" type="checkbox"/>
BMOV07D390K	BMOV07D390KH	25	31	39(35~43)	2.5	77	250	500	2.1	4	0.02	1300	-40°C~+105°C	13x10x5.16	AC Power			<input type="checkbox"/>	<input checked="" type="checkbox"/>	<input checked="" type="checkbox"/>	<input checked="" type="checkbox"/>
BMOV07D470K	BMOV07D470KH	30	38	47(42~52)	2.5	93	250	500	2.5	5	0.02	1100	-40°C~+105°C	13x10x5.37	AC Power			<input type="checkbox"/>	<input checked="" type="checkbox"/>	<input checked="" type="checkbox"/>	<input checked="" type="checkbox"/>
BMOV07D560K	BMOV07D560KH	35	45	56(50~62)	2.5	110	250	500	3.1	6	0.02	890	-40°C~+105°C	13x10x5.6	AC Power			<input type="checkbox"/>	<input checked="" type="checkbox"/>	<input checked="" type="checkbox"/>	<input checked="" type="checkbox"/>
BMOV07D680K	BMOV07D680KH	40	56	68(61~75)	2.5	135	250	500	3.6	7	0.02	740	-40°C~+105°C	13x10x5.88	AC Power			<input type="checkbox"/>	<input checked="" type="checkbox"/>	<input checked="" type="checkbox"/>	<input checked="" type="checkbox"/>
BMOV07D820K	BMOV07D820KH	50	65	82(74~90)	10	145	1200	1750	5	10	0.25	600	-40°C~+105°C	13x10x4.89	AC Power			<input type="checkbox"/>	<input checked="" type="checkbox"/>	<input checked="" type="checkbox"/>	<input checked="" type="checkbox"/>
BMOV07D101K	BMOV07D101KH	60	85	100(90~110)	10	165	1200	1750	15	12.5	0.25	500	-40°C~+105°C	13x10x5.06	AC Power			<input type="checkbox"/>	<input checked="" type="checkbox"/>	<input checked="" type="checkbox"/>	<input checked="" type="checkbox"/>
BMOV07D121K	BMOV07D121KH	75	100	120(108~132)	10	200	1200	1750	7.8	13	0.25	420	-40°C~+105°C	13x10x5.26	AC Power			<input type="checkbox"/>	<input checked="" type="checkbox"/>	<input checked="" type="checkbox"/>	<input checked="" type="checkbox"/>
BMOV07D151K	BMOV07D151KH	95	125	150(135~165)	10	250	1200	1750	9.7	15	0.25	330	-40°C~+105°C	13x10x4.99	AC Power			<input type="checkbox"/>	<input checked="" type="checkbox"/>	<input checked="" type="checkbox"/>	<input checked="" type="checkbox"/>
BMOV07D181K	BMOV07D181KH	115	150	180(162~198)	10	300	1200	1750	11.7	16	0.25	280	-40°C~+105°C	13x10x5.17	AC Power			<input type="checkbox"/>	<input checked="" type="checkbox"/>	<input checked="" type="checkbox"/>	<input checked="" type="checkbox"/>
BMOV07D201K	BMOV07D201KH	130	170	200(180~220)	10	340	1200	1750	13	17	0.25	250	-40°C~+105°C	13x10x5.32	AC Power			<input type="checkbox"/>	<input checked="" type="checkbox"/>	<input checked="" type="checkbox"/>	<input checked="" type="checkbox"/>
BMOV07D221K	BMOV07D221KH	140	180	220(198~242)	10	360	1200	1750	14	19	0.25	230	-40°C~+105°C	13x10x5.41	AC Power			<input type="checkbox"/>	<input checked="" type="checkbox"/>	<input checked="" type="checkbox"/>	<input checked="" type="checkbox"/>
BMOV07D241K	BMOV07D241KH	150	200	240(216~264)	10	395	1200	1750	15	21	0.25	210	-40°C~+105°C	13x10x5.53	AC Power			<input type="checkbox"/>	<input checked="" type="checkbox"/>	<input checked="" type="checkbox"/>	<input checked="" type="checkbox"/>
BMOV07D271K	BMOV07D271KH	175	225	270(243~297)	10	455	1200	1750	18	24	0.25	185	-40°C~+105°C	13x10x5.71	AC Power			<input type="checkbox"/>	<input checked="" type="checkbox"/>	<input checked="" type="checkbox"/>	<input checked="" type="checkbox"/>
BMOV07D301K	BMOV07D301KH	190	250	300(270~330)	10	500	1200	1750	20	26	0.25	165	-40°C~+105°C	13x10x5.88	AC Power			<input type="checkbox"/>	<input checked="" type="checkbox"/>	<input checked="" type="checkbox"/>	<input checked="" type="checkbox"/>
BMOV07D331K	BMOV07D331KH	210	275	330(297~363)	10	550	1200	1750	23	28	0.25	150	-40°C~+105°C	13x10x6.06	AC Power			<input type="checkbox"/>	<input checked="" type="checkbox"/>	<input checked="" type="checkbox"/>	<input checked="" type="checkbox"/>
BMOV07D361K	BMOV07D361KH	230	300	360(324~396)	10	595	1200	1750	24	32	0.25	140	-40°C~+105°C	13x10x6.24	AC Power			<input type="checkbox"/>	<input checked="" type="checkbox"/>	<input checked="" type="checkbox"/>	<input checked="" type="checkbox"/>
BMOV07D391K	BMOV07D391KH	250	320	390(351~429)	10	650	1200	1750	26	35	0.25	130	-40°C~+105°C	13x10x6.42	AC Power			<input type="checkbox"/>	<input checked="" type="checkbox"/>	<input checked="" type="checkbox"/>	<input checked="" type="checkbox"/>
BMOV07D431K	BMOV07D431KH	275	350	430(387~473)	10	710	1200	1750	28	40	0.25	115	-40°C~+105°C	13x10x6.66	AC Power			<input type="checkbox"/>	<input checked="" type="checkbox"/>	<input checked="" type="checkbox"/>	<input checked="" type="checkbox"/>
BMOV07D471K	BMOV07D471KH	300	385	470(423~517)	10	775	1200	1750	29	42	0.25	105	-40°C~+105°C	13x10x6.89	AC Power			<input type="checkbox"/>	<input checked="" type="checkbox"/>	<input checked="" type="checkbox"/>	<input checked="" type="checkbox"/>
BMOV07D511K	BMOV07D511KH	320	415	510(459~561)	10	845	1200	1750	31	45	0.25	100	-40°C~+105°C	13x10x7.13	AC Power			<input type="checkbox"/>	<input checked="" type="checkbox"/>	<input checked="" type="checkbox"/>	<input checked="" type="checkbox"/>
BMOV07D561K	BMOV07D561KH	350	460	560(504~616)	10	925	1200	1750	35	49	0.25	90	-40°C~+105°C	13x10x7.43	AC Power			<input type="checkbox"/>	<input checked="" type="checkbox"/>	<input checked="" type="checkbox"/>	<input checked="" type="checkbox"/>
BMOV07D621K	BMOV07D621KH	385	505	620(558~682)	10	1025	1200	1750	38	55	0.25	80	-40°C~+105°C	13x10x7.79	AC Power			<input type="checkbox"/>	<input checked="" type="checkbox"/>	<input checked="" type="checkbox"/>	<input checked="" type="checkbox"/>
BMOV07D681K	BMOV07D681KH	420	560	680(612~748)	10	1120	1200	1750	42	60	0.25	75	-40°C~+105°C	13x10x8.14	AC Power			<input type="checkbox"/>	<input checked="" type="checkbox"/>	<input checked="" type="checkbox"/>	<input checked="" type="checkbox"/>
BMOV07D751K	BMOV07D751KH	460	615	750(675~825)	10	1240	1200	1750	45	64	0.25	70	-40°C~+105°C	13x10x8.56	AC Power			<input type="checkbox"/>	<input checked="" type="checkbox"/>	<input checked="" type="checkbox"/>	<input checked="" type="checkbox"/>
BMOV07D781K	BMOV07D781KH	485	640	780(702~858)	10	1290	1200	1750	48	69	0.25	65	-40°C~+105°C	13x10x8.74	AC Power			<input type="checkbox"/>	<input checked="" type="checkbox"/>	<input checked="" type="checkbox"/>	<input checked="" type="checkbox"/>
BMOV07D821K	BMOV07D821KH	510	670	820(738~902)	10	1355	1200	1750	52	73	0.25	60	-40°C~+105°C	13x10x8.98	AC Power			<input type="checkbox"/>	<input checked="" type="checkbox"/>	<input checked="" type="checkbox"/>	<input checked="" type="checkbox"/>
BMOV10D180K	BMOV10D180KH	11	12	18(15~21.6)	5	36	500	1000	2.1	3	0.05	5600	-40°C~+105°C	16.5x14x5.27	AC Power			<input type="checkbox"/>	<input checked="" type="checkbox"/>	<input checked="" type="checkbox"/>	<input checked="" type="checkbox"/>
BMOV10D220K	BMOV10D220KH	14	18	22(19.5~26)	5	43	500	1000	2.5	5	0.05	4500	-40°C~+105°C	16.5x14x5.41	AC Power			<input type="checkbox"/>	<input checked="" type="checkbox"/>	<input checked="" type="checkbox"/>	<input checked="" type="checkbox"/>

产品型号 Part Number		最大允许应用电压 Maximum Allowable Voltage		1mA压敏电压 Varistor Voltage	最大钳位电压 Maximum Clamping Voltage		通流能力 Withstanding Surge Current		焦耳值 Maximum Energy		额定功率 Rated Power	典型电容值 Typical Capacitance	工作温度范围 Operating Temperature	尺寸 Size	应用 Application	电路符号 Circuit	产品外观 Outline	认证 Certificate			
常规 Normal Energy	高能 High Energy	V _{AC} (V)	V _{DC} (V)	V _{1mA} (V)	I _P (A)	V _C (A)	I (A) Standard	I (A) High Surge	(J) Standard	(J) High Surge	(W)	@1kHz (pf)	°C	LxWxH (mm)				UL497B	UL1449	TUV	CQC
BMOV10D270K	BMOV10D270KH	17	22	27(24~31)	5	53	500	1000	3	6	0.05	3700	-40°C~+105°C	16.5x14x5.61	AC Power			<input type="checkbox"/>	<input type="checkbox"/>	<input checked="" type="checkbox"/>	<input checked="" type="checkbox"/>
BMOV10D330K	BMOV10D330KH	20	26	33(29.5~36.5)	5	65	500	1000	4	7	0.05	3000	-40°C~+105°C	16.5x14x5.79	AC Power			<input type="checkbox"/>	<input type="checkbox"/>	<input checked="" type="checkbox"/>	<input checked="" type="checkbox"/>
BMOV10D390K	BMOV10D390KH	25	31	39(35~43)	5	77	500	1000	4.6	9	0.05	2400	-40°C~+105°C	16.5x14x5.58	AC Power			<input type="checkbox"/>	<input type="checkbox"/>	<input checked="" type="checkbox"/>	<input checked="" type="checkbox"/>
BMOV10D470K	BMOV10D470KH	30	38	47(42~52)	5	93	500	1000	5.5	11	0.05	2100	-40°C~+105°C	16.5x14x5.8	AC Power			<input type="checkbox"/>	<input type="checkbox"/>	<input checked="" type="checkbox"/>	<input checked="" type="checkbox"/>
BMOV10D560K	BMOV10D560KH	35	45	56(50~62)	5	110	500	1000	7	13	0.05	1800	-40°C~+105°C	16.5x14x6.04	AC Power			<input type="checkbox"/>	<input type="checkbox"/>	<input checked="" type="checkbox"/>	<input checked="" type="checkbox"/>
BMOV10D680K	BMOV10D680KH	40	56	68(61~75)	5	135	500	1000	8.2	15	0.05	1500	-40°C~+105°C	16.5x14x6.32	AC Power			<input type="checkbox"/>	<input type="checkbox"/>	<input checked="" type="checkbox"/>	<input checked="" type="checkbox"/>
BMOV10D820K	BMOV10D820KH	50	65	82(74~90)	25	145	2500	3500	12	17	0.4	1200	-40°C~+105°C	16.5x14x5.3	AC Power			<input type="checkbox"/>	<input type="checkbox"/>	<input checked="" type="checkbox"/>	<input checked="" type="checkbox"/>
BMOV10D101K	BMOV10D101KH	60	85	100(90~110)	25	165	2500	3500	15	18	0.4	1000	-40°C~+105°C	16.5x14x5.47	AC Power			<input type="checkbox"/>	<input type="checkbox"/>	<input checked="" type="checkbox"/>	<input checked="" type="checkbox"/>
BMOV10D121K	BMOV10D121KH	75	100	120(108~132)	25	200	2500	3500	18	21	0.4	830	-40°C~+105°C	16.5x14x5.67	AC Power			<input type="checkbox"/>	<input type="checkbox"/>	<input checked="" type="checkbox"/>	<input checked="" type="checkbox"/>
BMOV10D151K	BMOV10D151KH	95	125	150(135~165)	25	250	2500	3500	22	25	0.4	670	-40°C~+105°C	16.5x14x5.39	AC Power			<input type="checkbox"/>	<input type="checkbox"/>	<input checked="" type="checkbox"/>	<input checked="" type="checkbox"/>
BMOV10D181K	BMOV10D181KH	115	150	180(162~198)	25	300	2500	3500	27	30	0.4	560	-40°C~+105°C	16.5x14x5.57	AC Power			<input type="checkbox"/>	<input type="checkbox"/>	<input checked="" type="checkbox"/>	<input checked="" type="checkbox"/>
BMOV10D201K	BMOV10D201KH	130	170	200(180~220)	25	340	2500	3500	30	35	0.4	500	-40°C~+105°C	16.5x14x5.72	AC Power			<input type="checkbox"/>	<input type="checkbox"/>	<input checked="" type="checkbox"/>	<input checked="" type="checkbox"/>
BMOV10D221K	BMOV10D221KH	140	180	220(198~242)	25	360	2500	3500	32	39	0.4	450	-40°C~+105°C	16.5x14x5.81	AC Power			<input type="checkbox"/>	<input type="checkbox"/>	<input checked="" type="checkbox"/>	<input checked="" type="checkbox"/>
BMOV10D241K	BMOV10D241KH	150	200	240(216~264)	25	395	2500	3500	35	42	0.4	420	-40°C~+105°C	16.5x14x5.93	AC Power			<input type="checkbox"/>	<input type="checkbox"/>	<input checked="" type="checkbox"/>	<input checked="" type="checkbox"/>
BMOV10D271K	BMOV10D271KH	175	225	270(243~297)	25	455	2500	3500	37	42	0.4	370	-40°C~+105°C	16.5x14x6.11	AC Power			<input type="checkbox"/>	<input type="checkbox"/>	<input checked="" type="checkbox"/>	<input checked="" type="checkbox"/>
BMOV10D301K	BMOV10D301KH	190	250	300(270~330)	25	500	2500	3500	40	54	0.4	330	-40°C~+105°C	16.5x14x6.28	AC Power			<input type="checkbox"/>	<input type="checkbox"/>	<input checked="" type="checkbox"/>	<input checked="" type="checkbox"/>
BMOV10D331K	BMOV10D331KH	210	275	330(297~363)	25	550	2500	3500	43	58	0.4	300	-40°C~+105°C	16.5x14x6.46	AC Power			<input type="checkbox"/>	<input type="checkbox"/>	<input checked="" type="checkbox"/>	<input checked="" type="checkbox"/>
BMOV10D361K	BMOV10D361KH	230	300	360(324~396)	25	595	2500	3500	47	65	0.4	280	-40°C~+105°C	16.5x14x6.64	AC Power			<input type="checkbox"/>	<input type="checkbox"/>	<input checked="" type="checkbox"/>	<input checked="" type="checkbox"/>
BMOV10D391K	BMOV10D391KH	250	320	390(351~429)	25	650	2500	3500	60	70	0.4	260	-40°C~+105°C	16.5x14x6.82	AC Power			<input type="checkbox"/>	<input type="checkbox"/>	<input checked="" type="checkbox"/>	<input checked="" type="checkbox"/>
BMOV10D431K	BMOV10D431KH	275	350	430(387~473)	25	710	2500	3500	65	80	0.4	230	-40°C~+105°C	16.5x14x7.06	AC Power			<input type="checkbox"/>	<input type="checkbox"/>	<input checked="" type="checkbox"/>	<input checked="" type="checkbox"/>
BMOV10D471K	BMOV10D471KH	300	385	470(423~517)	25	775	2500	3500	67	85	0.4	210	-40°C~+105°C	16.5x14x7.29	AC Power			<input type="checkbox"/>	<input type="checkbox"/>	<input checked="" type="checkbox"/>	<input checked="" type="checkbox"/>
BMOV10D511K	BMOV10D511KH	320	415	510(459~561)	25	845	2500	3500	69	90	0.4	200	-40°C~+105°C	16.5x14x7.53	AC Power			<input type="checkbox"/>	<input type="checkbox"/>	<input checked="" type="checkbox"/>	<input checked="" type="checkbox"/>
BMOV10D561K	BMOV10D561KH	350	460	560(504~616)	25	925	2500	3500	70	92	0.4	180	-40°C~+105°C	16.5x14x7.83	AC Power			<input type="checkbox"/>	<input type="checkbox"/>	<input checked="" type="checkbox"/>	<input checked="" type="checkbox"/>
BMOV10D621K	BMOV10D621KH	385	505	620(558~682)	25	1025	2500	3500	72	95	0.4	160	-40°C~+105°C	16.5x14x8.29	AC Power			<input type="checkbox"/>	<input type="checkbox"/>	<input checked="" type="checkbox"/>	<input checked="" type="checkbox"/>
BMOV10D681K	BMOV10D681KH	420	560	680(612~748)	25	1120	2500	3500	75	98	0.4	150	-40°C~+105°C	16.5x14x8.54	AC Power			<input type="checkbox"/>	<input type="checkbox"/>	<input checked="" type="checkbox"/>	<input checked="" type="checkbox"/>
BMOV10D751K	BMOV10D751KH	460	615	750(675~825)	25	1240	2500	3500	77	100	0.4	130	-40°C~+105°C	16.5x14x8.63	AC Power			<input type="checkbox"/>	<input type="checkbox"/>	<input checked="" type="checkbox"/>	<input checked="" type="checkbox"/>
BMOV10D781K	BMOV10D781KH	485	640	780(702~858)	25	1290	2500	3500	80	105	0.4	125	-40°C~+105°C	16.5x14x8.69	AC Power			<input type="checkbox"/>	<input type="checkbox"/>	<input checked="" type="checkbox"/>	<input checked="" type="checkbox"/>
BMOV10D821K	BMOV10D821KH	510	670	820(738~902)	25	1355	2500	3500	85	110	0.4	120	-40°C~+105°C	16.5x14x8.9	AC Power			<input type="checkbox"/>	<input type="checkbox"/>	<input checked="" type="checkbox"/>	<input checked="" type="checkbox"/>
BMOV10D911K	BMOV10D911KH	550	745	910(819~1001)	25	1500	2500	3500	93	130	0.4	110	-40°C~+105°C	16.5x14x8.95	AC Power			<input type="checkbox"/>	<input type="checkbox"/>	<input checked="" type="checkbox"/>	<input checked="" type="checkbox"/>
BMOV10D102K	BMOV10D102KH	625	825	1000(900~1100)	25	1650	2500	3500	102	140	0.4	100	-40°C~+105°C	16.5x14x9.39	AC Power			<input type="checkbox"/>	<input type="checkbox"/>	<input checked="" type="checkbox"/>	<input checked="" type="checkbox"/>
BMOV10D112K	BMOV10D112KH	680	895	1100(990~1210)	25	1815	2500	3500	115	155	0.4	90	-40°C~+105°C	16.5x14x9.88	AC Power			<input type="checkbox"/>	<input type="checkbox"/>	<input checked="" type="checkbox"/>	<input checked="" type="checkbox"/>
BMOV14D180K	BMOV14D180KH	11	12	18(15~21.6)	10	36	1000	2000	4	7	0.1	11100	-40°C~+105°C	16.5x14x5.3	AC Power			<input type="checkbox"/>	<input type="checkbox"/>	<input checked="" type="checkbox"/>	<input checked="" type="checkbox"/>

产品型号 Part Number		最大允许应用电压 Maximum Allowable Voltage		1mA压敏电压 Varistor Voltage	最大钳位电压 Maximum Clamping Voltage		通流能力 Withstanding Surge Current		焦耳值 Maximum Energy		额定功率 Rated Power	典型电容值 Typical Capacitance	工作温度范围 Operating Temperature	尺寸 Size	应用 Application	电路符号 Circuit	产品外观 Outline	认证 Certificate			
常规 Normal Energy	高能 High Energy	V _{AC} (V)	V _{DC} (V)	V _{1mA} (V)	I _P (A)	V _C (A)	I (A) Standard	I (A) High Surge	(J) Standard	(J) High Surge	(W)	@1kHz (pf)	°C	LxWxH(mm)				UL497B	UL1449	TUV	CQC
BMOV14D220K	BMOV14D220KH	14	18	22(19.5~26)	10	43	1000	2000	5	8	0.1	9100	-40°C~+105°C	16.5x14x5.44	AC Power			<input type="checkbox"/>	<input checked="" type="checkbox"/>	<input checked="" type="checkbox"/>	<input checked="" type="checkbox"/>
BMOV14D270K	BMOV14D270KH	17	22	27(24~31)	10	53	1000	2000	6	10	0.1	7400	-40°C~+105°C	16.5x14x5.64	AC Power			<input type="checkbox"/>	<input checked="" type="checkbox"/>	<input checked="" type="checkbox"/>	<input checked="" type="checkbox"/>
BMOV14D330K	BMOV14D330KH	20	26	33(29.5~36.5)	10	65	1000	2000	7.5	12	0.1	6100	-40°C~+105°C	16.5x14x5.83	AC Power			<input type="checkbox"/>	<input checked="" type="checkbox"/>	<input checked="" type="checkbox"/>	<input checked="" type="checkbox"/>
BMOV14D390K	BMOV14D390KH	25	31	39(35~43)	10	77	1000	2000	8.6	13	0.1	5100	-40°C~+105°C	16.5x14x5.61	AC Power			<input type="checkbox"/>	<input checked="" type="checkbox"/>	<input checked="" type="checkbox"/>	<input checked="" type="checkbox"/>
BMOV14D470K	BMOV14D470KH	30	38	47(42~52)	10	93	1000	2000	10	17	0.1	4300	-40°C~+105°C	16.5x14x5.83	AC Power			<input type="checkbox"/>	<input checked="" type="checkbox"/>	<input checked="" type="checkbox"/>	<input checked="" type="checkbox"/>
BMOV14D560K	BMOV14D560KH	35	45	56(50~62)	10	110	1000	2000	11	20	0.1	3600	-40°C~+105°C	16.5x14x6.08	AC Power			<input type="checkbox"/>	<input checked="" type="checkbox"/>	<input checked="" type="checkbox"/>	<input checked="" type="checkbox"/>
BMOV14D680K	BMOV14D680KH	40	56	68(61~75)	10	135	1000	2000	14	24	0.1	2900	-40°C~+105°C	16.5x14x6.37	AC Power			<input type="checkbox"/>	<input checked="" type="checkbox"/>	<input checked="" type="checkbox"/>	<input checked="" type="checkbox"/>
BMOV14D820K	BMOV14D820KH	50	65	82(74~90)	50	145	4500	6000	22	27	0.6	2400	-40°C~+105°C	16.5x14x5.31	AC Power			<input type="checkbox"/>	<input checked="" type="checkbox"/>	<input checked="" type="checkbox"/>	<input checked="" type="checkbox"/>
BMOV14D101K	BMOV14D101KH	60	85	100(90~110)	50	165	4500	6000	28	33	0.6	2000	-40°C~+105°C	16.5x14x5.48	AC Power			<input type="checkbox"/>	<input checked="" type="checkbox"/>	<input checked="" type="checkbox"/>	<input checked="" type="checkbox"/>
BMOV14D121K	BMOV14D121KH	75	100	120(108~132)	50	200	4500	6000	32	40	0.6	1700	-40°C~+105°C	16.5x14x5.68	AC Power			<input type="checkbox"/>	<input checked="" type="checkbox"/>	<input checked="" type="checkbox"/>	<input checked="" type="checkbox"/>
BMOV14D151K	BMOV14D151KH	95	125	150(135~165)	50	250	4500	6000	40	53	0.6	1300	-40°C~+105°C	16.5x14x5.47	AC Power			<input type="checkbox"/>	<input checked="" type="checkbox"/>	<input checked="" type="checkbox"/>	<input checked="" type="checkbox"/>
BMOV14D181K	BMOV14D181KH	115	150	180(162~198)	50	300	4500	6000	50	60	0.6	1100	-40°C~+105°C	16.5x14x5.66	AC Power			<input type="checkbox"/>	<input checked="" type="checkbox"/>	<input checked="" type="checkbox"/>	<input checked="" type="checkbox"/>
BMOV14D201K	BMOV14D201KH	130	170	200(180~220)	50	340	4500	6000	57	70	0.6	1000	-40°C~+105°C	16.5x14x5.82	AC Power			<input type="checkbox"/>	<input checked="" type="checkbox"/>	<input checked="" type="checkbox"/>	<input checked="" type="checkbox"/>
BMOV14D221K	BMOV14D221KH	140	180	220(198~242)	50	360	4500	6000	60	78	0.6	900	-40°C~+105°C	16.5x14x5.84	AC Power			<input type="checkbox"/>	<input checked="" type="checkbox"/>	<input checked="" type="checkbox"/>	<input checked="" type="checkbox"/>
BMOV14D241K	BMOV14D241KH	150	200	240(216~264)	50	395	4500	6000	63	84	0.6	830	-40°C~+105°C	16.5x14x5.97	AC Power			<input type="checkbox"/>	<input checked="" type="checkbox"/>	<input checked="" type="checkbox"/>	<input checked="" type="checkbox"/>
BMOV14D271K	BMOV14D271KH	175	225	270(243~297)	50	455	4500	6000	70	99	0.6	740	-40°C~+105°C	16.5x14x6.15	AC Power			<input type="checkbox"/>	<input checked="" type="checkbox"/>	<input checked="" type="checkbox"/>	<input checked="" type="checkbox"/>
BMOV14D301K	BMOV14D301KH	190	250	300(270~330)	50	500	4500	6000	77	108	0.6	670	-40°C~+105°C	16.5x14x6.33	AC Power			<input type="checkbox"/>	<input checked="" type="checkbox"/>	<input checked="" type="checkbox"/>	<input checked="" type="checkbox"/>
BMOV14D331K	BMOV14D331KH	210	275	330(297~363)	50	550	4500	6000	85	115	0.6	610	-40°C~+105°C	16.5x14x6.52	AC Power			<input type="checkbox"/>	<input checked="" type="checkbox"/>	<input checked="" type="checkbox"/>	<input checked="" type="checkbox"/>
BMOV14D361K	BMOV14D361KH	230	300	360(324~396)	50	595	4500	6000	93	130	0.6	560	-40°C~+105°C	16.5x14x6.7	AC Power			<input type="checkbox"/>	<input checked="" type="checkbox"/>	<input checked="" type="checkbox"/>	<input checked="" type="checkbox"/>
BMOV14D391K	BMOV14D391KH	250	320	390(351~429)	50	650	4500	6000	100	140	0.6	510	-40°C~+105°C	16.5x14x6.88	AC Power			<input type="checkbox"/>	<input checked="" type="checkbox"/>	<input checked="" type="checkbox"/>	<input checked="" type="checkbox"/>
BMOV14D431K	BMOV14D431KH	275	350	430(387~473)	50	710	4500	6000	115	155	0.6	460	-40°C~+105°C	16.5x14x7.13	AC Power			<input type="checkbox"/>	<input checked="" type="checkbox"/>	<input checked="" type="checkbox"/>	<input checked="" type="checkbox"/>
BMOV14D471K	BMOV14D471KH	300	385	470(423~517)	50	775	4500	6000	118	175	0.6	430	-40°C~+105°C	16.5x14x7.37	AC Power			<input type="checkbox"/>	<input checked="" type="checkbox"/>	<input checked="" type="checkbox"/>	<input checked="" type="checkbox"/>
BMOV14D511K	BMOV14D511KH	320	415	510(459~561)	50	845	4500	6000	121	180	0.6	390	-40°C~+105°C	16.5x14x7.62	AC Power			<input type="checkbox"/>	<input checked="" type="checkbox"/>	<input checked="" type="checkbox"/>	<input checked="" type="checkbox"/>
BMOV14D561K	BMOV14D561KH	350	460	560(504~616)	50	925	4500	6000	125	185	0.6	360	-40°C~+105°C	16.5x14x7.92	AC Power			<input type="checkbox"/>	<input checked="" type="checkbox"/>	<input checked="" type="checkbox"/>	<input checked="" type="checkbox"/>
BMOV14D621K	BMOV14D621KH	385	505	620(558~682)	50	1025	4500	6000	128	190	0.6	320	-40°C~+105°C	16.5x14x8.29	AC Power			<input type="checkbox"/>	<input checked="" type="checkbox"/>	<input checked="" type="checkbox"/>	<input checked="" type="checkbox"/>
BMOV14D681K	BMOV14D681KH	420	560	680(612~748)	50	1120	4500	6000	130	200	0.6	290	-40°C~+105°C	16.5x14x8.66	AC Power			<input type="checkbox"/>	<input checked="" type="checkbox"/>	<input checked="" type="checkbox"/>	<input checked="" type="checkbox"/>
BMOV14D751K	BMOV14D751KH	460	615	750(675~825)	50	1240	4500	6000	143	210	0.6	270	-40°C~+105°C	16.5x14x8.73	AC Power			<input type="checkbox"/>	<input checked="" type="checkbox"/>	<input checked="" type="checkbox"/>	<input checked="" type="checkbox"/>
BMOV14D781K	BMOV14D781KH	485	640	780(702~858)	50	1290	4500	6000	148	220	0.6	260	-40°C~+105°C	16.5x14x8.79	AC Power			<input type="checkbox"/>	<input checked="" type="checkbox"/>	<input checked="" type="checkbox"/>	<input checked="" type="checkbox"/>
BMOV14D821K	BMOV14D821KH	510	670	820(738~902)	50	1355	4500	6000	157	235	0.6	240	-40°C~+105°C	16.5x14x9.01	AC Power			<input type="checkbox"/>	<input checked="" type="checkbox"/>	<input checked="" type="checkbox"/>	<input checked="" type="checkbox"/>
BMOV14D911K	BMOV14D911KH	550	745	910(819~1001)	50	1500	4500	6000	175	255	0.6	220	-40°C~+105°C	16.5x14x9.05	AC Power			<input type="checkbox"/>	<input checked="" type="checkbox"/>	<input checked="" type="checkbox"/>	<input checked="" type="checkbox"/>
BMOV14D102K	BMOV14D102KH	625	825	1000(900~1100)	50	1650	4500	6000	190	280	0.6	200	-40°C~+105°C	16.5x14x9.5	AC Power			<input type="checkbox"/>	<input checked="" type="checkbox"/>	<input checked="" type="checkbox"/>	<input checked="" type="checkbox"/>
BMOV14D112K	BMOV14D112KH	680	895	1100(990~1210)	50	1815	4500	6000	213	310	0.6	180	-40°C~+105°C	16.5x14x10	AC Power			<input type="checkbox"/>	<input checked="" type="checkbox"/>	<input checked="" type="checkbox"/>	<input checked="" type="checkbox"/>

Environmental Analysis
环境分析

Choose Standard
选择标准

Application Guide
方案设计

Select Components
器件选择

System Test
系统测试

Apply & Optimize
应用优化

产品型号 Part Number		最大允许应用电压 Maximum Allowable Voltage		1mA压敏电压 Varistor Voltage	最大钳位电压 Maximum Clamping Voltage		通流能力 Withstanding Surge Current		焦耳值 Maximum Energy		额定功率 Rated Power	典型电容值 Typical Capacitance	工作温度范围 Operating Temperature	尺寸 Size	应用 Application	电路符号 Circuit	产品外观 Outline	认证 Certifisate			
常规 Normal Energy	高能 High Energy	V _{AC} (V)	V _{DC} (V)	V _{1mA} (V)	I _P (A)	V _C (A)	I (A) Standard	I (A) High Surge	(J) Standard	(J) High Surge	(W)	@1kHz (pf)		LxWxH(mm)				UL497B	UL1449	TUV	CQC
BMOV14D122K	BMOV14D122KH	750	990	1200(1080~1320)	50	1980	4500	6000	232	324	0.6	160	-40°C~+105°C	16.5x14x10.5	AC Power			<input type="radio"/>	<input checked="" type="radio"/>	<input checked="" type="radio"/>	<input checked="" type="radio"/>
BMOV14D142K	BMOV14D142KH	880	1140	1400(1260~1540)	50	2310	4500	6000	238	327	0.6	150	-40°C~+105°C	16.5x14x11.5	AC Power			<input type="radio"/>	<input checked="" type="radio"/>	<input checked="" type="radio"/>	<input checked="" type="radio"/>
BMOV14D162K	BMOV14D162KH	1000	1280	1600(1440~1760)	50	2640	4500	6000	243	331	0.6	140	-40°C~+105°C	16.5x14x12.5	AC Power			<input type="radio"/>	<input checked="" type="radio"/>	<input checked="" type="radio"/>	<input checked="" type="radio"/>
BMOV14D182K	BMOV14D182KH	1100	1465	1800(1620~1980)	50	2970	4500	5000	250	335	0.6	130	-40°C~+105°C	16.5x14x13.5	AC Power			<input type="radio"/>	<input checked="" type="radio"/>	<input checked="" type="radio"/>	<input checked="" type="radio"/>
BMOV20D180K	BMOV20D180KH	11	12	18(15~21.6)	20	36	2000	3000	11	13	0.2	28500	-40°C~+105°C	26x23x4.7	AC Power			<input type="radio"/>	<input checked="" type="radio"/>	<input checked="" type="radio"/>	<input checked="" type="radio"/>
BMOV20D220K	BMOV20D220KH	14	18	22(19.5~26)	20	43	2000	3000	14	16	0.2	18500	-40°C~+105°C	26x23x4.9	AC Power			<input type="radio"/>	<input checked="" type="radio"/>	<input checked="" type="radio"/>	<input checked="" type="radio"/>
BMOV20D270K	BMOV20D270KH	17	22	27(24~31)	20	53	2000	3000	16	19	0.2	13000	-40°C~+105°C	26x23x5.1	AC Power			<input type="radio"/>	<input checked="" type="radio"/>	<input checked="" type="radio"/>	<input checked="" type="radio"/>
BMOV20D330K	BMOV20D330KH	20	26	33(29.5~36.5)	20	65	2000	3000	23	24	0.2	11500	-40°C~+105°C	26x23x5.4	AC Power			<input type="radio"/>	<input checked="" type="radio"/>	<input checked="" type="radio"/>	<input checked="" type="radio"/>
BMOV20D390K	BMOV20D390KH	25	31	39(35~43)	20	77	2000	3000	26	28	0.2	8500	-40°C~+105°C	26x23x5.5	AC Power			<input type="radio"/>	<input checked="" type="radio"/>	<input checked="" type="radio"/>	<input checked="" type="radio"/>
BMOV20D470K	BMOV20D470KH	30	38	47(42~52)	20	93	2000	3000	30	34	0.2	7400	-40°C~+105°C	26x23x4.9	AC Power			<input type="radio"/>	<input checked="" type="radio"/>	<input checked="" type="radio"/>	<input checked="" type="radio"/>
BMOV20D560K	BMOV20D560KH	35	45	56(50~62)	20	110	2000	3000	38	44	0.2	6500	-40°C~+105°C	26x23x5.1	AC Power			<input type="radio"/>	<input checked="" type="radio"/>	<input checked="" type="radio"/>	<input checked="" type="radio"/>
BMOV20D680K	BMOV20D680KH	40	56	68(61~75)	20	135	2000	3000	41	49	0.2	5800	-40°C~+105°C	26x23x5.3	AC Power			<input type="radio"/>	<input checked="" type="radio"/>	<input checked="" type="radio"/>	<input checked="" type="radio"/>
BMOV20D820K	BMOV20D820KH	50	65	82(74~90)	100	145	6500	10000	45	56	1	4900	-40°C~+105°C	26x23x4.7	AC Power			<input type="radio"/>	<input checked="" type="radio"/>	<input checked="" type="radio"/>	<input checked="" type="radio"/>
BMOV20D101K	BMOV20D101KH	60	85	100(90~110)	100	165	6500	10000	50	70	1	4000	-40°C~+105°C	26x23x4.9	AC Power			<input type="radio"/>	<input checked="" type="radio"/>	<input checked="" type="radio"/>	<input checked="" type="radio"/>
BMOV20D121K	BMOV20D121KH	75	100	120(108~132)	100	200	6500	10000	55	85	1	3300	-40°C~+105°C	26x23x5.1	AC Power			<input type="radio"/>	<input checked="" type="radio"/>	<input checked="" type="radio"/>	<input checked="" type="radio"/>
BMOV20D151K	BMOV20D151KH	95	125	150(135~165)	100	250	6500	10000	70	106	1	2700	-40°C~+105°C	26x23x5.4	AC Power			<input type="radio"/>	<input checked="" type="radio"/>	<input checked="" type="radio"/>	<input checked="" type="radio"/>
BMOV20D181K	BMOV20D181KH	115	150	180(162~198)	100	300	6500	10000	85	130	1	2200	-40°C~+105°C	26x23x4.7	AC Power			<input type="radio"/>	<input checked="" type="radio"/>	<input checked="" type="radio"/>	<input checked="" type="radio"/>
BMOV20D201K	BMOV20D201KH	130	170	200(180~220)	100	340	6500	10000	95	140	1	2000	-40°C~+105°C	26x23x4.9	AC Power			<input type="radio"/>	<input checked="" type="radio"/>	<input checked="" type="radio"/>	<input checked="" type="radio"/>
BMOV20D221K	BMOV20D221KH	140	180	220(198~242)	100	360	6500	10000	100	155	1	1800	-40°C~+105°C	26x23x4.9	AC Power			<input type="radio"/>	<input checked="" type="radio"/>	<input checked="" type="radio"/>	<input checked="" type="radio"/>
BMOV20D241K	BMOV20D241KH	150	200	240(216~264)	100	395	6500	10000	108	168	1	1650	-40°C~+105°C	26x23x5	AC Power			<input type="radio"/>	<input checked="" type="radio"/>	<input checked="" type="radio"/>	<input checked="" type="radio"/>
BMOV20D271K	BMOV20D271KH	175	225	270(243~297)	100	455	6500	10000	127	190	1	1500	-40°C~+105°C	26x23x5.2	AC Power			<input type="radio"/>	<input checked="" type="radio"/>	<input checked="" type="radio"/>	<input checked="" type="radio"/>
BMOV20D301K	BMOV20D301KH	190	250	300(270~330)	100	500	6500	10000	136	210	1	1300	-40°C~+105°C	26x23x5.2	AC Power			<input type="radio"/>	<input checked="" type="radio"/>	<input checked="" type="radio"/>	<input checked="" type="radio"/>
BMOV20D331K	BMOV20D331KH	210	275	330(297~363)	100	550	6500	10000	150	228	1	1200	-40°C~+105°C	26x23x5.4	AC Power			<input type="radio"/>	<input checked="" type="radio"/>	<input checked="" type="radio"/>	<input checked="" type="radio"/>
BMOV20D361K	BMOV20D361KH	230	300	360(324~396)	100	595	6500	10000	163	255	1	1100	-40°C~+105°C	26x23x5.4	AC Power			<input type="radio"/>	<input checked="" type="radio"/>	<input checked="" type="radio"/>	<input checked="" type="radio"/>
BMOV20D391K	BMOV20D391KH	250	320	390(351~429)	100	650	6500	10000	180	275	1	1000	-40°C~+105°C	26x23x5.6	AC Power			<input type="radio"/>	<input checked="" type="radio"/>	<input checked="" type="radio"/>	<input checked="" type="radio"/>
BMOV20D431K	BMOV20D431KH	275	350	430(387~473)	100	710	6500	10000	190	305	1	930	-40°C~+105°C	26x23x5.9	AC Power			<input type="radio"/>	<input checked="" type="radio"/>	<input checked="" type="radio"/>	<input checked="" type="radio"/>
BMOV20D471K	BMOV20D471KH	300	385	470(423~517)	100	775	6500	10000	204	350	1	8500	-40°C~+105°C	26x23x6	AC Power			<input type="radio"/>	<input checked="" type="radio"/>	<input checked="" type="radio"/>	<input checked="" type="radio"/>
BMOV20D511K	BMOV20D511KH	320	415	510(459~561)	100	845	6500	10000	210	360	1	780	-40°C~+105°C	26x23x6.2	AC Power			<input type="radio"/>	<input checked="" type="radio"/>	<input checked="" type="radio"/>	<input checked="" type="radio"/>
BMOV20D561K	BMOV20D561KH	350	460	560(504~616)	100	925	6500	10000	215	380	1	710	-40°C~+105°C	26x23x6.5	AC Power			<input type="radio"/>	<input checked="" type="radio"/>	<input checked="" type="radio"/>	<input checked="" type="radio"/>
BMOV20D621K	BMOV20D621KH	385	505	620(558~682)	100	1025	6500	10000	224	390	1	650	-40°C~+105°C	26x23x6.8	AC Power			<input type="radio"/>	<input checked="" type="radio"/>	<input checked="" type="radio"/>	<input checked="" type="radio"/>
BMOV20D681K	BMOV20D681KH	420	560	680(612~748)	100	1120	6500	10000	230	400	1	600	-40°C~+105°C	26x23x7.1	AC Power			<input type="radio"/>	<input checked="" type="radio"/>	<input checked="" type="radio"/>	<input checked="" type="radio"/>
BMOV20D751K	BMOV20D751KH	460	615	750(675~825)	100	1240	6500	10000	255	420	1	530	-40°C~+105°C	26x23x7.5	AC Power			<input type="radio"/>	<input checked="" type="radio"/>	<input checked="" type="radio"/>	<input checked="" type="radio"/>

产品型号 Part Number		最大允许应用电压 Maximum Allowable Voltage		1mA压敏电压 Varistor Voltage V _{1mA} (V)	最大钳位电压 Maximum Clamping Voltage		通流能力 Withstanding Surge Current		焦耳值 Maximum Energy (10/1000μs)		额定功率 Rated Power (W)	典型电容值 Typical Capacitance (Reference) @1kHz (pf)	工作温度范围 Operating Temperature	尺寸 Size LxWxH(mm)	应用 Application	电路符号 Circuit	产品外观 Outline	认证 Certificate			
常规 Normal Energy	高能 High Energy	V _{AC} (V)	V _{DC} (V)		I _P (A)	V _C (A)	I (A) Standard	I (A) High Surge	(J) Standard	(J) High Surge								UL497B	UL1449	TUV	CQC
BMOV20D781K	BMOV20D781KH	485	640	780(702~858)	100	1290	6500	10000	265	440	1	510	-40°C~+105°C	26x23x7.7	AC Power			<input type="checkbox"/>	<input checked="" type="checkbox"/>	<input checked="" type="checkbox"/>	<input checked="" type="checkbox"/>
BMOV20D821K	BMOV20D821KH	510	670	820(738~902)	100	1355	6500	10000	282	460	1	500	-40°C~+105°C	26x23x7.9	AC Power			<input type="checkbox"/>	<input checked="" type="checkbox"/>	<input checked="" type="checkbox"/>	<input checked="" type="checkbox"/>
BMOV20D911K	BMOV20D911KH	550	745	910(819~1001)	100	1500	6500	10000	310	510	1	440	-40°C~+105°C	26x23x8.1	AC Power			<input type="checkbox"/>	<input checked="" type="checkbox"/>	<input checked="" type="checkbox"/>	<input checked="" type="checkbox"/>
BMOV20D102K	BMOV20D102KH	625	825	1000(900~1100)	100	1650	6500	10000	342	565	1	400	-40°C~+105°C	26x23x8.6	AC Power			<input type="checkbox"/>	<input checked="" type="checkbox"/>	<input checked="" type="checkbox"/>	<input checked="" type="checkbox"/>
BMOV20D112K	BMOV20D112KH	680	895	1100(990~1210)	100	1815	6500	10000	383	620	1	360	-40°C~+105°C	26x23x9.1	AC Power			<input type="checkbox"/>	<input checked="" type="checkbox"/>	<input checked="" type="checkbox"/>	<input checked="" type="checkbox"/>
BMOV20D122K	BMOV20D122KH	750	990	1200(1080~1320)	100	1980	6500	10000	408	660	1	350	-40°C~+105°C	26x23x9.7	AC Power			<input type="checkbox"/>	<input checked="" type="checkbox"/>	<input checked="" type="checkbox"/>	<input checked="" type="checkbox"/>
BMOV20D142K	BMOV20D142KH	880	1140	1400(1260~1540)	100	2310	6500	10000	532	784	1	340	-40°C~+105°C	26x23x11.2	AC Power			<input type="checkbox"/>	<input checked="" type="checkbox"/>	<input checked="" type="checkbox"/>	<input checked="" type="checkbox"/>
BMOV20D162K	BMOV20D162KH	1000	1280	1600(1440~1760)	100	2640	6500	10000	606	896	1	330	-40°C~+105°C	26x23x11.8	AC Power			<input type="checkbox"/>	<input checked="" type="checkbox"/>	<input checked="" type="checkbox"/>	<input checked="" type="checkbox"/>
BMOV20D182K	BMOV20D182KH	1100	1465	1800(1620~1980)	100	2970	6500	10000	625	990	1	320	-40°C~+105°C	26x23x12.8	AC Power			<input type="checkbox"/>	<input checked="" type="checkbox"/>	<input checked="" type="checkbox"/>	<input checked="" type="checkbox"/>
BMOV07D180KA	BMOV07D180KB	11	12	18(15~21.6)	2.5	36	250	500	0.9	2	0.02	2800	-40°C~+125°C	13x10x4.85	AC Power			<input type="checkbox"/>	<input type="checkbox"/>	<input checked="" type="checkbox"/>	<input checked="" type="checkbox"/>
BMOV07D220KA	BMOV07D220KB	14	18	22(19.5~26)	2.5	43	250	500	1.1	2.4	0.02	2300	-40°C~+125°C	13x10x4.98	AC Power			<input type="checkbox"/>	<input type="checkbox"/>	<input checked="" type="checkbox"/>	<input checked="" type="checkbox"/>
BMOV07D270KA	BMOV07D270KB	17	22	27(24~31)	2.5	53	250	500	1.4	3	0.02	1800	-40°C~+125°C	13x10x5.17	AC Power			<input type="checkbox"/>	<input type="checkbox"/>	<input checked="" type="checkbox"/>	<input checked="" type="checkbox"/>
BMOV07D330KA	BMOV07D330KB	20	26	33(29.5~36.5)	2.5	65	250	500	1.7	3.5	0.02	1500	-40°C~+125°C	13x10x5.35	AC Power			<input type="checkbox"/>	<input type="checkbox"/>	<input checked="" type="checkbox"/>	<input checked="" type="checkbox"/>
BMOV07D390KA	BMOV07D390KB	25	31	39(35~43)	2.5	77	250	500	2.1	4	0.02	1300	-40°C~+125°C	13x10x5.16	AC Power			<input type="checkbox"/>	<input type="checkbox"/>	<input checked="" type="checkbox"/>	<input checked="" type="checkbox"/>
BMOV07D470KA	BMOV07D470KB	30	38	47(42~52)	2.5	93	250	500	2.5	5	0.02	1100	-40°C~+125°C	13x10x5.37	AC Power			<input type="checkbox"/>	<input type="checkbox"/>	<input checked="" type="checkbox"/>	<input checked="" type="checkbox"/>
BMOV07D560KA	BMOV07D560KB	35	45	56(50~62)	2.5	110	250	500	3.1	6	0.02	890	-40°C~+125°C	13x10x5.6	AC Power			<input type="checkbox"/>	<input type="checkbox"/>	<input checked="" type="checkbox"/>	<input checked="" type="checkbox"/>
BMOV07D680KA	BMOV07D680KB	40	56	68(61~75)	2.5	135	250	500	3.6	7	0.02	740	-40°C~+125°C	13x10x5.88	AC Power			<input type="checkbox"/>	<input type="checkbox"/>	<input checked="" type="checkbox"/>	<input checked="" type="checkbox"/>
BMOV07D820KA	BMOV07D820KB	50	65	82(74~90)	10	145	1200	1750	5	10	0.25	600	-40°C~+125°C	13x10x4.89	AC Power			<input type="checkbox"/>	<input type="checkbox"/>	<input checked="" type="checkbox"/>	<input checked="" type="checkbox"/>
BMOV07D101KA	BMOV07D101KB	60	85	100(90~110)	10	165	1200	1750	6.5	12	0.25	500	-40°C~+125°C	13x10x5.06	AC Power			<input type="checkbox"/>	<input type="checkbox"/>	<input checked="" type="checkbox"/>	<input checked="" type="checkbox"/>
BMOV07D121KA	BMOV07D121KB	75	100	120(108~132)	10	200	1200	1750	7.8	13	0.25	420	-40°C~+125°C	13x10x5.26	AC Power			<input type="checkbox"/>	<input type="checkbox"/>	<input checked="" type="checkbox"/>	<input checked="" type="checkbox"/>
BMOV07D151KA	BMOV07D151KB	95	125	150(135~165)	10	250	1200	1750	9.7	15	0.25	330	-40°C~+125°C	13x10x4.99	AC Power			<input type="checkbox"/>	<input type="checkbox"/>	<input checked="" type="checkbox"/>	<input checked="" type="checkbox"/>
BMOV07D181KA	BMOV07D181KB	115	150	180(162~198)	10	300	1200	1750	11.7	16	0.25	280	-40°C~+125°C	13x10x5.17	AC Power			<input type="checkbox"/>	<input type="checkbox"/>	<input checked="" type="checkbox"/>	<input checked="" type="checkbox"/>
BMOV07D201KA	BMOV07D201KB	130	170	200(180~220)	10	340	1200	1750	13	17	0.25	250	-40°C~+125°C	13x10x5.32	AC Power			<input type="checkbox"/>	<input type="checkbox"/>	<input checked="" type="checkbox"/>	<input checked="" type="checkbox"/>
BMOV07D221KA	BMOV07D221KB	140	180	220(198~242)	10	360	1200	1750	14	19	0.25	230	-40°C~+125°C	13x10x5.41	AC Power			<input type="checkbox"/>	<input type="checkbox"/>	<input checked="" type="checkbox"/>	<input checked="" type="checkbox"/>
BMOV07D241KA	BMOV07D241KB	150	200	240(216~264)	10	395	1200	1750	15	21	0.25	210	-40°C~+125°C	13x10x5.53	AC Power			<input type="checkbox"/>	<input type="checkbox"/>	<input checked="" type="checkbox"/>	<input checked="" type="checkbox"/>
BMOV07D271KA	BMOV07D271KB	175	225	270(243~297)	10	455	1200	1750	18	24	0.25	185	-40°C~+125°C	13x10x5.71	AC Power			<input type="checkbox"/>	<input type="checkbox"/>	<input checked="" type="checkbox"/>	<input checked="" type="checkbox"/>
BMOV07D301KA	BMOV07D301KB	190	250	300(270~330)	10	500	1200	1750	20	26	0.25	165	-40°C~+125°C	13x10x5.88	AC Power			<input type="checkbox"/>	<input type="checkbox"/>	<input checked="" type="checkbox"/>	<input checked="" type="checkbox"/>
BMOV07D331KA	BMOV07D331KB	210	275	330(297~363)	10	550	1200	1750	23	28	0.25	150	-40°C~+125°C	13x10x6.06	AC Power			<input type="checkbox"/>	<input type="checkbox"/>	<input checked="" type="checkbox"/>	<input checked="" type="checkbox"/>
BMOV07D361KA	BMOV07D361KB	230	300	360(324~396)	10	595	1200	1750	24	32	0.25	140	-40°C~+125°C	13x10x6.24	AC Power			<input type="checkbox"/>	<input type="checkbox"/>	<input checked="" type="checkbox"/>	<input checked="" type="checkbox"/>
BMOV07D391KA	BMOV07D391KB	250	320	390(351~429)	10	650	1200	1750	26	35	0.25	130	-40°C~+125°C	13x10x6.42	AC Power			<input type="checkbox"/>	<input type="checkbox"/>	<input checked="" type="checkbox"/>	<input checked="" type="checkbox"/>
BMOV07D431KA	BMOV07D431KB	275	350	430(387~473)	10	710	1200	1750	28	40	0.25	115	-40°C~+125°C	13x10x6.66	AC Power			<input type="checkbox"/>	<input type="checkbox"/>	<input checked="" type="checkbox"/>	<input checked="" type="checkbox"/>
BMOV07D471KA	BMOV07D471KB	300	385	470(423~517)	10	775	1200	1750	29	42	0.25	105	-40°C~+125°C	13x10x6.89	AC Power			<input type="checkbox"/>	<input type="checkbox"/>	<input checked="" type="checkbox"/>	<input checked="" type="checkbox"/>

产品型号 Part Number		最大允许应用电压 Maximum Allowable Voltage		1mA压敏电压 Varistor Voltage V _{1mA} (V)	最大钳位电压 Maximum Clamping Voltage		通流能力 Withstanding Surge Current		焦耳值 Maximum Energy (10/1000μs)		额定功率 Rated Power (W)	典型电容值 Typical Capacitance (Reference) @1kHz (pf)	工作温度范围 Operating Temperature	尺寸 Size LxWxH(mm)	应用 Application	电路符号 Circuit	产品外观 Outline	认证 Certificate			
常规 Normal Energy	高能 High Energy	V _{AC} (V)	V _{DC} (V)		I _P (A)	V _C (A)	I (A) Standard	I (A) High Surge	(J) Standard	(J) High Surge								UL497B	UL1449	TUV	CQC
BMOV07D511KA	BMOV07D511KB	320	415	510(459~561)	10	845	1200	1750	31	45	0.25	100	-40℃~+125℃	13x10x7.13	AC Power			<input type="checkbox"/>	<input type="checkbox"/>	<input checked="" type="checkbox"/>	<input checked="" type="checkbox"/>
BMOV07D561KA	BMOV07D561KB	350	460	560(504~616)	10	925	1200	1750	35	49	0.25	90	-40℃~+125℃	13x10x7.43	AC Power			<input type="checkbox"/>	<input type="checkbox"/>	<input checked="" type="checkbox"/>	<input checked="" type="checkbox"/>
BMOV07D621KA	BMOV07D621KB	385	505	620(558~682)	10	1025	1200	1750	38	55	0.25	80	-40℃~+125℃	13x10x7.79	AC Power			<input type="checkbox"/>	<input type="checkbox"/>	<input checked="" type="checkbox"/>	<input checked="" type="checkbox"/>
BMOV07D681KA	BMOV07D681KB	420	560	680(612~748)	10	1120	1200	1750	42	60	0.25	75	-40℃~+125℃	13x10x8.14	AC Power			<input type="checkbox"/>	<input type="checkbox"/>	<input checked="" type="checkbox"/>	<input checked="" type="checkbox"/>
BMOV07D751KA	BMOV07D751KB	460	615	750(675~825)	10	1240	1200	1750	45	64	0.25	70	-40℃~+125℃	13x10x8.56	AC Power			<input type="checkbox"/>	<input type="checkbox"/>	<input checked="" type="checkbox"/>	<input checked="" type="checkbox"/>
BMOV07D781KA	BMOV07D781KB	485	640	780(702~858)	10	1290	1200	1750	48	69	0.25	65	-40℃~+125℃	13x10x8.74	AC Power			<input type="checkbox"/>	<input type="checkbox"/>	<input checked="" type="checkbox"/>	<input checked="" type="checkbox"/>
BMOV07D821KA	BMOV07D821KB	510	670	820(738~902)	10	1355	1200	1750	52	73	0.25	60	-40℃~+125℃	13x10x8.98	AC Power			<input type="checkbox"/>	<input type="checkbox"/>	<input checked="" type="checkbox"/>	<input checked="" type="checkbox"/>
BMOV10D180KA	BMOV10D180KB	11	12	18(15~21.6)	5	36	500	1000	2.1	3	0.05	5600	-40℃~+125℃	16.5x14x5.27	AC Power			<input type="checkbox"/>	<input type="checkbox"/>	<input checked="" type="checkbox"/>	<input checked="" type="checkbox"/>
BMOV10D220KA	BMOV10D220KB	14	18	22(19.5~26)	5	43	500	1000	2.5	5	0.05	4500	-40℃~+125℃	16.5x14x5.41	AC Power			<input type="checkbox"/>	<input type="checkbox"/>	<input checked="" type="checkbox"/>	<input checked="" type="checkbox"/>
BMOV10D270KA	BMOV10D270KB	17	22	27(24~31)	5	53	500	1000	3	6	0.05	3700	-40℃~+125℃	16.5x14x5.61	AC Power			<input type="checkbox"/>	<input type="checkbox"/>	<input checked="" type="checkbox"/>	<input checked="" type="checkbox"/>
BMOV10D330KA	BMOV10D330KB	20	26	33(29.5~36.5)	5	65	500	1000	4	7	0.05	3000	-40℃~+125℃	16.5x14x5.79	AC Power			<input type="checkbox"/>	<input type="checkbox"/>	<input checked="" type="checkbox"/>	<input checked="" type="checkbox"/>
BMOV10D390KA	BMOV10D390KB	25	31	39(35~43)	5	77	500	1000	4.6	9	0.05	2400	-40℃~+125℃	16.5x14x5.58	AC Power			<input type="checkbox"/>	<input type="checkbox"/>	<input checked="" type="checkbox"/>	<input checked="" type="checkbox"/>
BMOV10D470KA	BMOV10D470KB	30	38	47(42~52)	5	93	500	1000	5.5	11	0.05	2100	-40℃~+125℃	16.5x14x5.8	AC Power			<input type="checkbox"/>	<input type="checkbox"/>	<input checked="" type="checkbox"/>	<input checked="" type="checkbox"/>
BMOV10D560KA	BMOV10D560KB	35	45	56(50~62)	5	110	500	1000	7	13	0.05	1800	-40℃~+125℃	16.5x14x6.04	AC Power			<input type="checkbox"/>	<input type="checkbox"/>	<input checked="" type="checkbox"/>	<input checked="" type="checkbox"/>
BMOV10D680KA	BMOV10D680KB	40	56	68(61~75)	5	135	500	1000	8.2	15	0.05	1500	-40℃~+125℃	16.5x14x6.32	AC Power			<input type="checkbox"/>	<input type="checkbox"/>	<input checked="" type="checkbox"/>	<input checked="" type="checkbox"/>
BMOV10D820KA	BMOV10D820KB	50	65	82(74~90)	25	145	2500	3500	12	17	0.4	1200	-40℃~+125℃	16.5x14x5.3	AC Power			<input type="checkbox"/>	<input type="checkbox"/>	<input checked="" type="checkbox"/>	<input checked="" type="checkbox"/>
BMOV10D101KA	BMOV10D101KB	60	85	100(90~110)	25	165	2500	3500	15	18	0.4	1000	-40℃~+125℃	16.5x14x5.47	AC Power			<input type="checkbox"/>	<input type="checkbox"/>	<input checked="" type="checkbox"/>	<input checked="" type="checkbox"/>
BMOV10D121KA	BMOV10D121KB	75	100	120(108~132)	25	200	2500	3500	18	21	0.4	830	-40℃~+125℃	16.5x14x5.67	AC Power			<input type="checkbox"/>	<input type="checkbox"/>	<input checked="" type="checkbox"/>	<input checked="" type="checkbox"/>
BMOV10D151KA	BMOV10D151KB	95	125	150(135~165)	25	250	2500	3500	22	25	0.4	670	-40℃~+125℃	16.5x14x5.39	AC Power			<input type="checkbox"/>	<input type="checkbox"/>	<input checked="" type="checkbox"/>	<input checked="" type="checkbox"/>
BMOV10D181KA	BMOV10D181KB	115	150	180(162~198)	25	300	2500	3500	27	30	0.4	560	-40℃~+125℃	16.5x14x5.57	AC Power			<input type="checkbox"/>	<input type="checkbox"/>	<input checked="" type="checkbox"/>	<input checked="" type="checkbox"/>
BMOV10D201KA	BMOV10D201KB	130	170	200(180~220)	25	340	2500	3500	30	35	0.4	500	-40℃~+125℃	16.5x14x5.72	AC Power			<input type="checkbox"/>	<input type="checkbox"/>	<input checked="" type="checkbox"/>	<input checked="" type="checkbox"/>
BMOV10D221KA	BMOV10D221KB	140	180	220(198~242)	25	360	2500	3500	32	39	0.4	450	-40℃~+125℃	16.5x14x5.81	AC Power			<input type="checkbox"/>	<input type="checkbox"/>	<input checked="" type="checkbox"/>	<input checked="" type="checkbox"/>
BMOV10D241KA	BMOV10D241KB	150	200	240(216~264)	25	395	2500	3500	35	42	0.4	420	-40℃~+125℃	16.5x14x5.93	AC Power			<input type="checkbox"/>	<input type="checkbox"/>	<input checked="" type="checkbox"/>	<input checked="" type="checkbox"/>
BMOV10D271KA	BMOV10D271KB	175	225	270(243~297)	25	455	2500	3500	37	42	0.4	370	-40℃~+125℃	16.5x14x6.11	AC Power			<input type="checkbox"/>	<input type="checkbox"/>	<input checked="" type="checkbox"/>	<input checked="" type="checkbox"/>
BMOV10D301KA	BMOV10D301KB	190	250	300(270~330)	25	500	2500	3500	40	54	0.4	330	-40℃~+125℃	16.5x14x6.28	AC Power			<input type="checkbox"/>	<input type="checkbox"/>	<input checked="" type="checkbox"/>	<input checked="" type="checkbox"/>
BMOV10D331KA	BMOV10D331KB	210	275	330(297~363)	25	550	2500	3500	43	58	0.4	300	-40℃~+125℃	16.5x14x6.46	AC Power			<input type="checkbox"/>	<input type="checkbox"/>	<input checked="" type="checkbox"/>	<input checked="" type="checkbox"/>
BMOV10D361KA	BMOV10D361KB	230	300	360(324~396)	25	595	2500	3500	47	65	0.4	280	-40℃~+125℃	16.5x14x6.64	AC Power			<input type="checkbox"/>	<input type="checkbox"/>	<input checked="" type="checkbox"/>	<input checked="" type="checkbox"/>
BMOV10D391KA	BMOV10D391KB	250	320	390(351~429)	25	650	2500	3500	60	70	0.4	260	-40℃~+125℃	16.5x14x6.82	AC Power			<input type="checkbox"/>	<input type="checkbox"/>	<input checked="" type="checkbox"/>	<input checked="" type="checkbox"/>
BMOV10D431KA	BMOV10D431KB	275	350	430(387~473)	25	710	2500	3500	65	80	0.4	230	-40℃~+125℃	16.5x14x7.06	AC Power			<input type="checkbox"/>	<input type="checkbox"/>	<input checked="" type="checkbox"/>	<input checked="" type="checkbox"/>
BMOV10D471KA	BMOV10D471KB	300	385	470(423~517)	25	775	2500	3500	67	85	0.4	210	-40℃~+125℃	16.5x14x7.29	AC Power			<input type="checkbox"/>	<input type="checkbox"/>	<input checked="" type="checkbox"/>	<input checked="" type="checkbox"/>
BMOV10D511KA	BMOV10D511KB	320	415	510(459~561)	25	845	2500	3500	69	90	0.4	200	-40℃~+125℃	16.5x14x7.53	AC Power			<input type="checkbox"/>	<input type="checkbox"/>	<input checked="" type="checkbox"/>	<input checked="" type="checkbox"/>
BMOV10D561KA	BMOV10D561KB	350	460	560(504~616)	25	925	2500	3500	70	92	0.4	180	-40℃~+125℃	16.5x14x7.83	AC Power			<input type="checkbox"/>	<input type="checkbox"/>	<input checked="" type="checkbox"/>	<input checked="" type="checkbox"/>

产品型号 Part Number		最大允许应用电压 Maximum Allowable Voltage		1mA压敏电压 Varistor Voltage	最大钳位电压 Maximum Clamping Voltage		通流能力 Withstanding Surge Current		焦耳值 Maximum Energy		额定功率 Rated Power	典型电容值 Typical Capacitance	工作温度范围 Operating Temperature	尺寸 Size	应用 Application	电路符号 Circuit	产品外观 Outline	认证 Certisate			
常规 Normal Energy	高能 High Energy	V _{AC} (V)	V _{DC} (V)	V _{1mA} (V)	I _P (A)	V _C (A)	I (A) Standard	I (A) High Surge	(J) Standard	(J) High Surge	(W)	@1kHz (pf)		LxWxH(mm)				UL497B	UL1449	TUV	CQC
BMOV10D621KA	BMOV10D621KB	385	505	620(558~682)	25	1025	2500	3500	72	95	0.4	160	-40°C~+125°C	16.5x14x8.29	AC Power			<input type="radio"/>	<input type="radio"/>	<input checked="" type="radio"/>	<input checked="" type="radio"/>
BMOV10D681KA	BMOV10D681KB	420	560	680(612~748)	25	1120	2500	3500	75	98	0.4	150	-40°C~+125°C	16.5x14x8.54	AC Power			<input type="radio"/>	<input type="radio"/>	<input checked="" type="radio"/>	<input checked="" type="radio"/>
BMOV10D751KA	BMOV10D751KB	460	615	750(675~825)	25	1240	2500	3500	77	100	0.4	130	-40°C~+125°C	16.5x14x8.63	AC Power			<input type="radio"/>	<input type="radio"/>	<input checked="" type="radio"/>	<input checked="" type="radio"/>
BMOV10D781KA	BMOV10D781KB	485	640	780(702~858)	25	1290	2500	3500	80	105	0.4	125	-40°C~+125°C	16.5x14x8.69	AC Power			<input type="radio"/>	<input type="radio"/>	<input checked="" type="radio"/>	<input checked="" type="radio"/>
BMOV10D821KA	BMOV10D821KB	510	670	820(738~902)	25	1355	2500	3500	85	110	0.4	120	-40°C~+125°C	16.5x14x8.9	AC Power			<input type="radio"/>	<input type="radio"/>	<input checked="" type="radio"/>	<input checked="" type="radio"/>
BMOV10D911KA	BMOV10D911KB	550	745	910(819~1001)	25	1500	2500	3500	93	130	0.4	110	-40°C~+125°C	16.5x14x8.95	AC Power			<input type="radio"/>	<input type="radio"/>	<input checked="" type="radio"/>	<input checked="" type="radio"/>
BMOV10D102KA	BMOV10D102KB	625	825	1000(900~1100)	25	1650	2500	3500	102	140	0.4	100	-40°C~+125°C	16.5x14x9.39	AC Power			<input type="radio"/>	<input type="radio"/>	<input checked="" type="radio"/>	<input checked="" type="radio"/>
BMOV10D112KA	BMOV10D112KB	680	895	1100(990~1210)	25	1815	2500	3500	115	155	0.4	90	-40°C~+125°C	16.5x14x9.88	AC Power			<input type="radio"/>	<input type="radio"/>	<input checked="" type="radio"/>	<input checked="" type="radio"/>
BMOV14D180KA	BMOV14D180KB	11	12	18(15~21.6)	10	36	1000	2000	4	7	0.1	11100	-40°C~+125°C	16.5x14x5.3	AC Power			<input type="radio"/>	<input type="radio"/>	<input checked="" type="radio"/>	<input checked="" type="radio"/>
BMOV14D220KA	BMOV14D220KB	14	18	22(19.5~26)	10	43	1000	2000	5	8	0.1	9100	-40°C~+125°C	16.5x14x5.44	AC Power			<input type="radio"/>	<input type="radio"/>	<input checked="" type="radio"/>	<input checked="" type="radio"/>
BMOV14D270KA	BMOV14D270KB	17	22	27(24~31)	10	53	1000	2000	6	10	0.1	7400	-40°C~+125°C	16.5x14x5.64	AC Power			<input type="radio"/>	<input type="radio"/>	<input checked="" type="radio"/>	<input checked="" type="radio"/>
BMOV14D330KA	BMOV14D330KB	20	26	33(29.5~36.5)	10	65	1000	2000	7.5	12	0.1	6100	-40°C~+125°C	16.5x14x5.83	AC Power			<input type="radio"/>	<input type="radio"/>	<input checked="" type="radio"/>	<input checked="" type="radio"/>
BMOV14D390KA	BMOV14D390KB	25	31	39(35~43)	10	77	1000	2000	8.6	13	0.1	5100	-40°C~+125°C	16.5x14x5.61	AC Power			<input type="radio"/>	<input type="radio"/>	<input checked="" type="radio"/>	<input checked="" type="radio"/>
BMOV14D470KA	BMOV14D470KB	30	38	47(42~52)	10	93	1000	2000	10	17	0.1	4300	-40°C~+125°C	16.5x14x5.83	AC Power			<input type="radio"/>	<input type="radio"/>	<input checked="" type="radio"/>	<input checked="" type="radio"/>
BMOV14D560KA	BMOV14D560KB	35	45	56(50~62)	10	110	1000	2000	11	20	0.1	3600	-40°C~+125°C	16.5x14x6.08	AC Power			<input type="radio"/>	<input type="radio"/>	<input checked="" type="radio"/>	<input checked="" type="radio"/>
BMOV14D680KA	BMOV14D680KB	40	56	68(61~75)	10	135	1000	2000	14	24	0.1	2900	-40°C~+125°C	16.5x14x6.37	AC Power			<input type="radio"/>	<input type="radio"/>	<input checked="" type="radio"/>	<input checked="" type="radio"/>
BMOV14D820KA	BMOV14D820KB	50	65	82(74~90)	50	145	4500	6000	22	27	0.6	2400	-40°C~+125°C	16.5x14x5.31	AC Power			<input type="radio"/>	<input type="radio"/>	<input checked="" type="radio"/>	<input checked="" type="radio"/>
BMOV14D101KA	BMOV14D101KB	60	85	100(90~110)	50	165	4500	6000	28	33	0.6	2000	-40°C~+125°C	16.5x14x5.48	AC Power			<input type="radio"/>	<input type="radio"/>	<input checked="" type="radio"/>	<input checked="" type="radio"/>
BMOV14D121KA	BMOV14D121KB	75	100	120(108~132)	50	200	4500	6000	32	40	0.6	1700	-40°C~+125°C	16.5x14x5.68	AC Power			<input type="radio"/>	<input type="radio"/>	<input checked="" type="radio"/>	<input checked="" type="radio"/>
BMOV14D151KA	BMOV14D151KB	95	125	150(135~165)	50	250	4500	6000	40	53	0.6	1300	-40°C~+125°C	16.5x14x5.47	AC Power			<input type="radio"/>	<input type="radio"/>	<input checked="" type="radio"/>	<input checked="" type="radio"/>
BMOV14D181KA	BMOV14D181KB	115	150	180(162~198)	50	300	4500	6000	50	60	0.6	1100	-40°C~+125°C	16.5x14x5.66	AC Power			<input type="radio"/>	<input type="radio"/>	<input checked="" type="radio"/>	<input checked="" type="radio"/>
BMOV14D201KA	BMOV14D201KB	130	170	200(180~220)	50	340	4500	6000	57	70	0.6	1000	-40°C~+125°C	16.5x14x5.82	AC Power			<input type="radio"/>	<input type="radio"/>	<input checked="" type="radio"/>	<input checked="" type="radio"/>
BMOV14D221KA	BMOV14D221KB	140	180	220(198~242)	50	360	4500	6000	60	78	0.6	900	-40°C~+125°C	16.5x14x5.84	AC Power			<input type="radio"/>	<input type="radio"/>	<input checked="" type="radio"/>	<input checked="" type="radio"/>
BMOV14D241KA	BMOV14D241KB	150	200	240(216~264)	50	395	4500	6000	63	84	0.6	830	-40°C~+125°C	16.5x14x5.97	AC Power			<input type="radio"/>	<input type="radio"/>	<input checked="" type="radio"/>	<input checked="" type="radio"/>
BMOV14D271KA	BMOV14D271KB	175	225	270(243~297)	50	455	4500	6000	70	99	0.6	740	-40°C~+125°C	16.5x14x6.15	AC Power			<input type="radio"/>	<input type="radio"/>	<input checked="" type="radio"/>	<input checked="" type="radio"/>
BMOV14D301KA	BMOV14D301KB	190	250	300(270~330)	50	500	4500	6000	77	108	0.6	670	-40°C~+125°C	16.5x14x6.33	AC Power			<input type="radio"/>	<input type="radio"/>	<input checked="" type="radio"/>	<input checked="" type="radio"/>
BMOV14D331KA	BMOV14D331KB	210	275	330(297~363)	50	550	4500	6000	85	115	0.6	610	-40°C~+125°C	16.5x14x6.52	AC Power			<input type="radio"/>	<input type="radio"/>	<input checked="" type="radio"/>	<input checked="" type="radio"/>
BMOV14D361KA	BMOV14D361KB	230	300	360(324~396)	50	595	4500	6000	93	130	0.6	560	-40°C~+125°C	16.5x14x6.7	AC Power			<input type="radio"/>	<input type="radio"/>	<input checked="" type="radio"/>	<input checked="" type="radio"/>
BMOV14D391KA	BMOV14D391KB	250	320	390(351~429)	50	650	4500	6000	100	140	0.6	510	-40°C~+125°C	16.5x14x6.88	AC Power			<input type="radio"/>	<input type="radio"/>	<input checked="" type="radio"/>	<input checked="" type="radio"/>
BMOV14D431KA	BMOV14D431KB	275	350	430(387~473)	50	710	4500	6000	115	155	0.6	460	-40°C~+125°C	16.5x14x7.13	AC Power			<input type="radio"/>	<input type="radio"/>	<input checked="" type="radio"/>	<input checked="" type="radio"/>
BMOV14D471KA	BMOV14D471KB	300	385	470(423~517)	50	775	4500	6000	118	175	0.6	430	-40°C~+125°C	16.5x14x7.37	AC Power			<input type="radio"/>	<input type="radio"/>	<input checked="" type="radio"/>	<input checked="" type="radio"/>
BMOV14D511KA	BMOV14D511KB	320	415	510(459~561)	50	845	4500	6000	121	180	0.6	390	-40°C~+125°C	16.5x14x7.62	AC Power			<input type="radio"/>	<input type="radio"/>	<input checked="" type="radio"/>	<input checked="" type="radio"/>

产品型号 Part Number		最大允许应用电压 Maximum Allowable Voltage		1mA压敏电压 Varistor Voltage	最大钳位电压 Maximum Clamping Voltage		通流能力 Withstanding Surge Current		焦耳值 Maximum Energy		额定功率 Rated Power	典型电容值 Typical Capacitance	工作温度范围 Operating Temperature	尺寸 Size	应用 Application	电路符号 Circuit	产品外观 Outline	认证 Certifisate			
常规 Normal Energy	高能 High Energy	V _{AC} (V)	V _{DC} (V)	V _{1mA} (V)	I _P (A)	V _C (A)	I (A) Standard	I (A) High Surge	(J) Standard	(J) High Surge	(W)	@1kHz (pf)	°C	LxWxH(mm)				UL497B	UL1449	TUV	CQC
BMOV14D561KA	BMOV14D561KB	350	460	560(504~616)	50	925	4500	6000	125	185	0.6	360	-40°C~+125°C	16.5x14x7.92	AC Power			○	○	●	●
BMOV14D621KA	BMOV14D621KB	385	505	620(558~682)	50	1025	4500	6000	128	190	0.6	320	-40°C~+125°C	16.5x14x8.29	AC Power			○	○	●	●
BMOV14D681KA	BMOV14D681KB	420	560	680(612~748)	50	1120	4500	6000	130	200	0.6	290	-40°C~+125°C	16.5x14x8.66	AC Power			○	○	●	●
BMOV14D751KA	BMOV14D751KB	460	615	750(675~825)	50	1240	4500	6000	143	210	0.6	270	-40°C~+125°C	16.5x14x8.73	AC Power			○	○	●	●
BMOV14D781KA	BMOV14D781KB	485	640	780(702~858)	50	1290	4500	6000	148	220	0.6	260	-40°C~+125°C	16.5x14x8.79	AC Power			○	○	●	●
BMOV14D821KA	BMOV14D821KB	510	670	820(738~902)	50	1355	4500	6000	157	235	0.6	240	-40°C~+125°C	16.5x14x9.01	AC Power			○	○	●	●
BMOV14D911KA	BMOV14D911KB	550	745	910(819~1001)	50	1500	4500	6000	175	255	0.6	220	-40°C~+125°C	16.5x14x9.05	AC Power			○	○	●	●
BMOV14D102KA	BMOV14D102KB	625	825	1000(900~1100)	50	1650	4500	6000	190	280	0.6	200	-40°C~+125°C	16.5x14x9.5	AC Power			○	○	●	●
BMOV14D112KA	BMOV14D112KB	680	895	1100(990~1210)	50	1815	4500	6000	213	310	0.6	180	-40°C~+125°C	16.5x14x10	AC Power			○	○	●	●
BMOV14D122KA	BMOV14D122KB	750	990	1200(1080~1320)	50	1980	4500	6000	232	324	0.6	160	-40°C~+125°C	16.5x14x10.5	AC Power			○	○	●	●
BMOV14D142KA	BMOV14D142KB	880	1140	1400(1260~1540)	50	2310	4500	6000	238	327	0.6	150	-40°C~+125°C	16.5x14x11.5	AC Power			○	○	●	●
BMOV14D162KA	BMOV14D162KB	1000	1280	1600(1440~1760)	50	2640	4500	6000	243	331	0.6	140	-40°C~+125°C	16.5x14x12.5	AC Power			○	○	●	●
BMOV14D182KA	BMOV14D182KB	1100	1465	1800(1620~1980)	50	2970	4500	5000	250	335	0.6	130	-40°C~+125°C	16.5x14x13.5	AC Power			○	○	●	●
BMOV20D180KA	BMOV20D180KB	11	12	18(15~21.6)	20	36	2000	3000	11	13	0.2	28500	-40°C~+125°C	26x23x4.7	AC Power			○	○	●	●
BMOV20D220KA	BMOV20D220KB	14	18	22(19.5~26)	20	43	2000	3000	14	16	0.2	18500	-40°C~+125°C	26x23x4.9	AC Power			○	○	●	●
BMOV20D270KA	BMOV20D270KB	17	22	27(24~31)	20	53	2000	3000	16	19	0.2	13000	-40°C~+125°C	26x23x5.1	AC Power			○	○	●	●
BMOV20D330KA	BMOV20D330KB	20	26	33(29.5~36.5)	20	65	2000	3000	23	24	0.2	11500	-40°C~+125°C	26x23x5.4	AC Power			○	○	●	●
BMOV20D390KA	BMOV20D390KB	25	31	39(35~43)	20	77	2000	3000	26	28	0.2	8500	-40°C~+125°C	26x23x5.5	AC Power			○	○	●	●
BMOV20D470KA	BMOV20D470KB	30	38	47(42~52)	20	93	2000	3000	30	34	0.2	7400	-40°C~+125°C	26x23x4.9	AC Power			○	○	●	●
BMOV20D560KA	BMOV20D560KB	35	45	56(50~62)	20	110	2000	3000	38	44	0.2	6500	-40°C~+125°C	26x23x5.1	AC Power			○	○	●	●
BMOV20D680KA	BMOV20D680KB	40	56	68(61~75)	20	135	2000	3000	41	49	0.2	5800	-40°C~+125°C	26x23x5.3	AC Power			○	○	●	●
BMOV20D820KA	BMOV20D820KB	50	65	82(74~90)	100	145	6500	10000	45	56	1	4900	-40°C~+125°C	26x23x4.7	AC Power			○	○	●	●
BMOV20D101KA	BMOV20D101KB	60	85	100(90~110)	100	165	6500	10000	50	70	1	4000	-40°C~+125°C	26x23x4.9	AC Power			○	○	●	●
BMOV20D121KA	BMOV20D121KB	75	100	120(108~132)	100	200	6500	10000	55	85	1	3300	-40°C~+125°C	26x23x5.1	AC Power			○	○	●	●
BMOV20D151KA	BMOV20D151KB	95	125	150(135~165)	100	250	6500	10000	70	106	1	2700	-40°C~+125°C	26x23x5.4	AC Power			○	○	●	●
BMOV20D181KA	BMOV20D181KB	115	150	180(162~198)	100	300	6500	10000	85	130	1	2200	-40°C~+125°C	26x23x4.7	AC Power			○	○	●	●
BMOV20D201KA	BMOV20D201KB	130	170	200(180~220)	100	340	6500	10000	95	140	1	2000	-40°C~+125°C	26x23x4.9	AC Power			○	○	●	●
BMOV20D221KA	BMOV20D221KB	140	180	220(198~242)	100	360	6500	10000	100	155	1	1800	-40°C~+125°C	26x23x4.9	AC Power			○	○	●	●
BMOV20D241KA	BMOV20D241KB	150	200	240(216~264)	100	395	6500	10000	108	168	1	1650	-40°C~+125°C	26x23x5	AC Power			○	○	●	●
BMOV20D271KA	BMOV20D271KB	175	225	270(243~297)	100	455	6500	10000	127	190	1	1500	-40°C~+125°C	26x23x5.2	AC Power			○	○	●	●
BMOV20D301KA	BMOV20D301KB	190	250	300(270~330)	100	500	6500	10000	136	210	1	1300	-40°C~+125°C	26x23x5.2	AC Power			○	○	●	●
BMOV20D331KA	BMOV20D331KB	210	275	330(297~363)	100	550	6500	10000	150	228	1	1200	-40°C~+125°C	26x23x5.4	AC Power			○	○	●	●

产品型号 Part Number		最大允许应用电压 Maximum Allowable Voltage		1mA压敏电压 Varistor Voltage	最大钳位电压 Maximum Clamping Voltage		通流能力 Withstanding Surge Current		焦耳值 Maximum Energy		额定功率 Rated Power	典型电容值 Typical Capacitance	工作温度范围 Operating Temperature	尺寸 Size	应用 Application	电路符号 Circuit	产品外观 Outline	认证 Certificate			
常规 Normal Energy	高能 High Energy	V _{AC} (V)	V _{DC} (V)	V _{1mA} (V)	I _P (A)	V _C (A)	I (A) Standard	I (A) High Surge	(J) Standard	(J) High Surge	(W)	@1kHz (pf)	°C	LxWxH(mm)				UL497B	UL1449	TUV	CQC
BMOV20D361KA	BMOV20D361KB	230	300	360(324~396)	100	595	6500	10000	163	255	1	1100	-40°C~+125°C	26x23x5.4	AC Power			<input type="radio"/>	<input type="radio"/>	<input checked="" type="radio"/>	<input checked="" type="radio"/>
BMOV20D391KA	BMOV20D391KB	250	320	390(351~429)	100	650	6500	10000	180	275	1	1000	-40°C~+125°C	26x23x5.6	AC Power			<input type="radio"/>	<input type="radio"/>	<input checked="" type="radio"/>	<input checked="" type="radio"/>
BMOV20D431KA	BMOV20D431KB	275	350	430(387~473)	100	710	6500	10000	190	305	1	930	-40°C~+125°C	26x23x5.9	AC Power			<input type="radio"/>	<input type="radio"/>	<input checked="" type="radio"/>	<input checked="" type="radio"/>
BMOV20D471KA	BMOV20D471KB	300	385	470(423~517)	100	775	6500	10000	204	350	1	8500	-40°C~+125°C	26x23x6	AC Power			<input type="radio"/>	<input type="radio"/>	<input checked="" type="radio"/>	<input checked="" type="radio"/>
BMOV20D511KA	BMOV20D511KB	320	415	510(459~561)	100	845	6500	10000	210	360	1	780	-40°C~+125°C	26x23x6.2	AC Power			<input type="radio"/>	<input type="radio"/>	<input checked="" type="radio"/>	<input checked="" type="radio"/>
BMOV20D561KA	BMOV20D561KB	350	460	560(504~616)	100	925	6500	10000	215	380	1	710	-40°C~+125°C	26x23x6.5	AC Power			<input type="radio"/>	<input type="radio"/>	<input checked="" type="radio"/>	<input checked="" type="radio"/>
BMOV20D621KA	BMOV20D621KB	385	505	620(558~682)	100	1025	6500	10000	224	390	1	650	-40°C~+125°C	26x23x6.8	AC Power			<input type="radio"/>	<input type="radio"/>	<input checked="" type="radio"/>	<input checked="" type="radio"/>
BMOV20D681KA	BMOV20D681KB	420	560	680(612~748)	100	1120	6500	10000	230	400	1	600	-40°C~+125°C	26x23x7.1	AC Power			<input type="radio"/>	<input type="radio"/>	<input checked="" type="radio"/>	<input checked="" type="radio"/>
BMOV20D751KA	BMOV20D751KB	460	615	750(675~825)	100	1240	6500	10000	255	420	1	530	-40°C~+125°C	26x23x7.5	AC Power			<input type="radio"/>	<input type="radio"/>	<input checked="" type="radio"/>	<input checked="" type="radio"/>
BMOV20D781KA	BMOV20D781KB	485	640	780(702~858)	100	1290	6500	10000	265	440	1	510	-40°C~+125°C	26x23x7.7	AC Power			<input type="radio"/>	<input type="radio"/>	<input checked="" type="radio"/>	<input checked="" type="radio"/>
BMOV20D821KA	BMOV20D821KB	510	670	820(738~902)	100	1355	6500	10000	282	460	1	500	-40°C~+125°C	26x23x7.9	AC Power			<input type="radio"/>	<input type="radio"/>	<input checked="" type="radio"/>	<input checked="" type="radio"/>
BMOV20D911KA	BMOV20D911KB	550	745	910(819~1001)	100	1500	6500	10000	310	510	1	440	-40°C~+125°C	26x23x8.1	AC Power			<input type="radio"/>	<input type="radio"/>	<input checked="" type="radio"/>	<input checked="" type="radio"/>
BMOV20D102KA	BMOV20D102KB	625	825	1000(900~1100)	100	1650	6500	10000	342	565	1	400	-40°C~+125°C	26x23x8.6	AC Power			<input type="radio"/>	<input type="radio"/>	<input checked="" type="radio"/>	<input checked="" type="radio"/>
BMOV20D112KA	BMOV20D112KB	680	895	1100(990~1210)	100	1815	6500	10000	383	620	1	360	-40°C~+125°C	26x23x9.1	AC Power			<input type="radio"/>	<input type="radio"/>	<input checked="" type="radio"/>	<input checked="" type="radio"/>
BMOV20D122KA	BMOV20D122KB	750	990	1200(1080~1320)	100	1980	6500	10000	408	660	1	350	-40°C~+125°C	26x23x9.7	AC Power			<input type="radio"/>	<input type="radio"/>	<input checked="" type="radio"/>	<input checked="" type="radio"/>
BMOV20D142KA	BMOV20D142KB	880	1140	1400(1260~1540)	100	2310	6500	10000	532	784	1	340	-40°C~+125°C	26x23x11.2	AC Power			<input type="radio"/>	<input type="radio"/>	<input checked="" type="radio"/>	<input checked="" type="radio"/>
BMOV20D162KA	BMOV20D162KB	1000	1280	1600(1440~1760)	100	2640	6500	10000	606	896	1	330	-40°C~+125°C	26x23x11.8	AC Power			<input type="radio"/>	<input type="radio"/>	<input checked="" type="radio"/>	<input checked="" type="radio"/>
BMOV20D182KA	BMOV20D182KB	1100	1465	1800(1620~1980)	100	2970	6500	10000	625	990	1	320	-40°C~+125°C	26x23x12.8	AC Power			<input type="radio"/>	<input type="radio"/>	<input checked="" type="radio"/>	<input checked="" type="radio"/>

产品型号 Part Number	不动作电压 Off state Voltage V _{DRM} (V)		转折电压 Switching Voltage V _s (V) I _s (mA)		通态电压 On state Voltage V _r (V) I _r (A)		最小维持电流 Holding Current I _H (mA)	结电容 Capacitance Co (pF) 2V@1MHZ Max	测试波形 Surge Waveform (μs)	通流能力 Surge Peak (kV)	封装 Package	印字 Mark	尺寸 Size LxWxH(mm)	应用 Application	电路符号 Circuit	产品外观 Outline	认证 Certifisate			
	I _D (μA) Max	Max	Max	Max	Max	UL497B											UL1449	TUV	CQC	
BS0060D1	6	5	25	800	4	2.2	≥15	80	10/700	1.5	SOD123	B006D1	3.6x1.6x1.1	video			○	○	○	○
BS0060D-2	6	5	25	800	4	2.2	≥10	10	1.2/50	3(42Ω)	SOD123F	B006D-2	3.8x1.8x1.35	video			○	○	○	○
BS0060M-2	6	5	25	800	4	2.2	≥10	10	1.2/50	3(42Ω)	SMA	B006M-2	5.0x2.5x2.3	video			○	○	○	○
BS0060M-3	6	5	25	800	4	2.2	≥10	20	1.2/50	4(42Ω)	SMA	B006M-3	5.0x2.5x2.3	video			○	○	○	○
BS0060M	6	5	25	800	4	2.2	≥50	50	10/700	2	SMA	B006M	5.0x2.5x2.3	video			○	○	○	○
BS0060M-BH	6	5	25	800	4	2.2	≥10	20	10/700	4	SMA	B006M	5.0x2.5x2.3	video			○	○	○	○
BS0060M-BC	6	5	15	800	4	2.2	≥15	80	10/700	4	SMA	6MSA	5.0x2.5x2.3	video			○	○	○	○
BS0080M	6	5	25	800	4	2.2	≥50	60	10/700	3	SMA	B008M	5.0x2.5x2.3	video			○	○	○	○
BS0060N-C	6	5	25	800	4	2.2	≥15	100	10/700	6	SMB	B006NC	5.2x3.6x2.3	video			●	○	○	○
BS0300N-C	25	5	40	800	4	2.2	≥50	100	10/700	6	SMB	B03NC	5.2x3.6x2.3	RS485/232/422			●	○	○	○
BS0640N-C	58	5	77	800	4	2.2	≥150	100	10/700	6	SMB	B06NC	5.2x3.6x2.3	POE			●	○	○	○
BS1100N1	95	5	130	800	4	2.2	≥120	150	10/700	3	SMB	B11NB1	5.2x3.6x2.3	SLIC			●	○	○	○
BS2300N	190	5	260	800	4	2.2	≥150	80	10/700	4	SMB	B23NB	5.2x3.6x2.3	xDSL/SLIC			●	○	○	○
BS2300N-C	190	5	260	800	4	2.2	≥150	45	10/700	6	SMB	B23NC	5.2x3.6x2.3	RJ11			●	○	○	○
BS3100N	275	5	350	800	4	2.2	≥150	60	10/700	4	SMB	B31NB	5.2x3.6x2.3	POS			●	○	○	○
BS3100N-C	275	5	350	800	4	2.2	≥150	80	10/700	6	SMB	B31NC	5.2x3.6x2.3	RJ45			●	○	○	○
BS3500N-A	320	5	400	800	4	2.2	≥150	20	10/700	3	SMB	B35NA	5.2x3.6x2.3	xDSL			●	○	○	○
BS3500N	320	5	400	800	4	2.2	≥150	25	10/700	4	SMB	B35NB	5.2x3.6x2.3	xDSL			●	○	○	○
BS3500N-C	320	5	400	800	4	2.2	≥150	35	10/700	6	SMB	B35NC	5.2x3.6x2.3	xDSL			●	○	○	○
BS0060N-C-F	6	5	25	800	4	2.2	≥15	100	10/700	6	SMB-F	B006NC	5.4x3.3x2.0	video			●	○	○	○
BS0060N-C-FLC	6	5	25	800	4	2.2	≥15	55	10/700	6	SMB-F	6NCLC	5.4x3.3x2.0	video			○	○	○	○
BS0060N-C-FS	6	5	25	800	4	2.2	≥15	25	10/700	6	SMB-F	6NCS	5.4x3.3x2.0	video			○	○	○	○
BS0300N-C-F	25	5	40	800	4	2.2	≥50	100	10/700	6	SMB-F	B03NC	5.4x3.3x2.0	RS485/232/422			●	○	○	○
BS0640N-C-F	58	5	77	800	4	2.2	≥150	100	10/700	6	SMB-F	B06NC	5.4x3.3x2.0	POE			●	○	○	○
BS1100N-A1-F	95	5	130	800	4	2.2	≥120	100	10/700	3	SMB-F	B11NA1	5.4x3.3x2.0	SLIC			●	○	○	○
BS1100N-D1	95	5	130	800	4	2.2	≥50	150	8/20	800A	SMB-F	B11ND1	5.4x3.3x2.0	SLIC			●	○	○	○
BS1100N-D1-L	115	5	135	800	4	2.2	≥120	160	8/20	800A	SMB-F	B11ND1L	5.4x3.3x2.0	SLIC			○	○	○	○
BS1300N-C-F	120	5	160	800	4	2.2	≥120	80	10/700	6	SMB-F	B13NC	5.4x3.3x2.0	IPC			●	○	○	○
BS2300N-A-F	190	5	260	800	4	2.2	≥150	25	10/700	3	SMB-F	B23NA	5.4x3.3x2.0	xDSL			●	○	○	○
BS2300N-F	190	5	260	800	4	2.2	≥150	80	10/700	4	SMB-F	B23NB	5.4x3.3x2.0	xDSL/SLIC			●	○	○	○
BS2300N-C-F	190	5	260	800	4	2.2	≥150	45	10/700	6	SMB-F	B23NC	5.4x3.3x2.0	RJ11			●	○	○	○
BS3100N-F	275	5	350	800	4	2.2	≥150	60	10/700	4	SMB-F	B31NB	5.4x3.3x2.0	Ethernet			●	○	○	○

产品型号 Part Number	不动作电压 Off state Voltage		转折电压 Switching Voltage		通态电压 On state Voltage		最小维持电流 Holding Current IH(mA)	结电容 Capacitance Co (pF) 2V@1MHZ Max	测试波形 Surge Waveform (μ s)	通流能力 Surge Peak (kV)	封装 Package	印字 Mark	尺寸 Size LxWxH(mm)	应用 Application	电路符号 Circuit	产品外观 Outline	认证 Certifisate			
	VDRM (V)	ID (μ A) Max	Vs (V) Max	Is (mA)	Vr (V) Max	Ir (A) Max											UL497B	UL1449	TUV	CQC
BS3100N-C-F	275	5	350	800	4	2.2	≥ 120	80	10/700	6	SMB-F	B31NC	5.4x3.3x2.0	Rj45						
BS3100N-E-F	275	5	350	800	4	2.2	≥ 50	100	10/1000	200A	SMB-F	B31NE	5.4x3.3x2.0	Ethernet						
BS3500N-F	320	5	400	800	4	2.2	≥ 150	25	10/700	4	SMB-F	B35NB	5.4x3.3x2.0	xDSL						
BS3500N-C-F	320	5	400	800	4	2.2	≥ 150	35	10/700	6	SMB-F	B35NC	5.4x3.3x2.0	xDSL						
BS4200N-C-F	400	5	520	800	4	2.2	≤ 50	35	10/700	6	SMB-F	B42NC	5.4x3.3x2.0	Ethernet						
BS4200N-D-F	400	5	520	800	4	2.2	≤ 50	35	10/700	8	SMB-F	B42ND	5.4x3.3x2.0	Ethernet						
BS8000N-C-F	750	5	1000	800	4	2.2	≤ 50	50	10/700	6	SMB-F	B80NC	5.4x3.3x2.0	Ethernet						
BS8000N-C-F-1	850	5	1000	800	4	2.2	≤ 50	50	10/700	6	SMB-F	B80NC	5.4x3.3x2.0	Ethernet						
BS0060N-2C	6	5	25	800	4	2.2	≥ 15	120	10/700	6	SMB-T	B006N2C	5.4x3.3x2.0	video						
BS0300N-2C	25	5	40	800	4	2.2	≥ 50	100	10/700	6	SMB-T	B03N2C	5.4x3.3x2.0	RS485/232/422						
BS0640N-2C	58	5	77	800	4	2.2	≥ 150	100	10/700	6	SMB-T	B06N2C	5.4x3.3x2.0	Ethernet						
BS4200N-2C	400	5	520	800	4	2.2	≤ 50	35	10/700	6	SMB-T	B422NC	5.4x3.3x2.0	Ethernet						
BS3500N-2B	320	5	400	800	4	2.2	≥ 10	50	10/700	4	SMB-T	B35N2B	5.4x3.3x2.0	Ethernet						
BS3500N-2C	320	5	520	800	4	2.2	≤ 400	35	10/700	6	SMB-T	B35N2C	5.4x3.3x2.0	Ethernet						
BS0060N-2B	6	5	25	800	4	2.2	≥ 15	90	10/700	4	SMB-T	B006N2B	5.4x3.3x2.0	RS485						
BS1100N-2A1	95	5	130	800	4	2.2	≥ 120	100	10/700	2	SMB-T	B11N2A1	5.4x3.3x2.0	SLIC						
BS0060U-2G	6	5	25	800	4	2.2	≥ 50	1000	8/20	3	SMC-T	B006U2G1	8.0x5.9x2.0	RS485/232/422						
BS0060U-2G-1	6	5	25	800	4	2.2	≥ 50	700	8/20	3	SMC-T	B006U2G1	8.0x5.9x2.0	RS485/232/422						
BS0060U-2G-2	6	5	25	800	4	2.2	≥ 50	700	8/20	3	SMC-T	B006U2G	8.0x5.9x2.0	RS485/232/422						
BS4200Q-C	400	5	520	800	4	2.2	50	35	10/700	6	DFN	B420QC	3.3x3.3x1.0	Ethernet						
BS0080S23-5	8	5	15	500	4	1	≥ 50	10	8/20	50A	SOT23-5	B008S23-5	3.0x2.8x1.25	xDSL						
BS0120S23-5	12	5	20	500	4	1	≥ 20	10	8/20	50A	SOT23-5	B012S23-5	3.0x2.8x1.25	xDSL						
BS0180S23-5	18	5	25	500	4	1	≥ 20	10	8/20	50A	SOT23-5	B018S23-5	3.0x2.8x1.25	xDSL						
BS0240S23-5	24	5	35	500	4	1	≥ 20	10	8/20	50A	SOT23-5	B024S23-5	3.0x2.8x1.25	xDSL						
BS0750S-E1	75	5	120	800	4	2.2	≤ 150	600	8/20	10	SMK	B07SE	10.5x8.2x2.2	DC Port						
BS0150N-D	15	5	25	800	4	2.2	≥ 30	150	10/700	8	SMB	B15ND	5.45x3.75x2.6	RS485/232/422						
BS0640N-C1-L	58	5	63.5	80	4	2.2	≥ 30	100	8/20	1	SMB	B06NC1L	5.45x3.75x2.6	POE						
BS1280N-C1-L	116	5	160	800	4	2.2	≥ 30	100	8/20	1	SMB	B06NC1L	5.45x3.75x2.6	POE						

产品型号 Part Number		不动作电压 Off state Voltage		击穿电压 Breakdown Voltage			最大钳位电压 Clamp Voltage		测试波形 Surge Waveform	峰值功率	封装	尺寸	印字 Mark		应用	电路符号 Circuit		产品外观 Outline	认证 Certifisate			
双向 BI	单向 UNI	V _{DRM} (V)	I _{DRM} 25°C(μA) Max	V _{BR} (V)	I _R (mA)	V _C (V) Max	I _{PP} (A)	测试波形 Waveform (μs)	P _{PP} (W)	封装 Package	LxWxH(mm)	双向 BI	单向 UNI	应用 Application	双向 BI	单向 UNI	产品外观 Outline	UL497B	UL1449	TUV	CQC	
BV-SMAJ5CA	BV-SMAJ5A	5	800	6.4	7	10	9.2	43.5	10/1000	400	SMA	5.25x2.85x2.5	A5C	A5	DC Power							
BV-SMAJ6CA	BV-SMAJ6A	6	800	6.67	7.37	10	10.3	38.8	10/1000	400	SMA	5.25x2.85x2.5	A6C	A6	DC Power							
BV-SMAJ6.5CA	BV-SMAJ6.5A	6.5	500	7.22	7.98	10	11.2	35.7	10/1000	400	SMA	5.25x2.85x2.5	A6.5C	A6.5	DC Power							
BV-SMAJ7CA	BV-SMAJ7A	7	200	7.78	8.6	10	12	33.3	10/1000	400	SMA	5.25x2.85x2.5	A7C	A7	DC Power							
BV-SMAJ7.5CA	BV-SMAJ7.5A	7.5	100	8.33	9.21	1	12.9	31	10/1000	400	SMA	5.25x2.85x2.5	A7.5C	A7.5	DC Power							
BV-SMAJ8CA	BV-SMAJ8A	8	50	8.89	9.83	1	13.6	29.4	10/1000	400	SMA	5.25x2.85x2.5	A8C	A8	DC Power							
BV-SMAJ8.5CA	BV-SMAJ8.5A	8.5	20	9.44	10.4	1	14.4	27.8	10/1000	400	SMA	5.25x2.85x2.5	A8.5C	A8.5	DC Power							
BV-SMAJ9CA	BV-SMAJ9A	9	10	10	11.1	1	15.4	26	10/1000	400	SMA	5.25x2.85x2.5	A9C	A9	DC Power							
BV-SMAJ10CA	BV-SMAJ10A	10	5	11.1	12.3	1	17	23.5	10/1000	400	SMA	5.25x2.85x2.5	A10C	A10	DC Power							
BV-SMAJ11CA	BV-SMAJ11A	11	1	12.2	13.5	1	18.2	22	10/1000	400	SMA	5.25x2.85x2.5	A11C	A11	DC Power							
BV-SMAJ12CA	BV-SMAJ12A	12	1	13.3	14.7	1	19.9	20.1	10/1000	400	SMA	5.25x2.85x2.5	A12C	A12	DC Power							
BV-SMAJ13CA	BV-SMAJ13A	13	1	14.4	15.9	1	21.5	18.6	10/1000	400	SMA	5.25x2.85x2.5	A13C	A13	DC Power							
BV-SMAJ14CA	BV-SMAJ14A	14	1	15.6	17.2	1	23.2	17.2	10/1000	400	SMA	5.25x2.85x2.5	A14C	A14	DC Power							
BV-SMAJ15CA	BV-SMAJ15A	15	1	16.7	18.5	1	24.4	16.4	10/1000	400	SMA	5.25x2.85x2.5	A15C	A15	DC Power							
BV-SMAJ16CA	BV-SMAJ16A	16	1	17.8	19.7	1	26	15.4	10/1000	400	SMA	5.25x2.85x2.5	A16C	A16	DC Power							
BV-SMAJ17CA	BV-SMAJ17A	17	1	18.9	20.9	1	27.6	14.5	10/1000	400	SMA	5.25x2.85x2.5	A17C	A17	DC Power							
BV-SMAJ18CA	BV-SMAJ18A	18	1	20	22.1	1	29.2	13.7	10/1000	400	SMA	5.25x2.85x2.5	A18C	A18	DC Power							
BV-SMAJ20CA	BV-SMAJ20A	20	1	22.2	24.5	1	32.4	12.3	10/1000	400	SMA	5.25x2.85x2.5	A20C	A20	DC Power							
BV-SMAJ22CA	BV-SMAJ22A	22	1	24.4	26.9	1	35.5	11.3	10/1000	400	SMA	5.25x2.85x2.5	A22C	A22	DC Power							
BV-SMAJ24CA	BV-SMAJ24A	24	1	26.7	29.5	1	38.9	10.3	10/1000	400	SMA	5.25x2.85x2.5	A24C	A24	DC Power							
BV-SMAJ26CA	BV-SMAJ26A	26	1	28.9	31.9	1	42.1	9.5	10/1000	400	SMA	5.25x2.85x2.5	A26C	A26	DC Power							
BV-SMAJ28CA	BV-SMAJ28A	28	1	31.1	34.4	1	45.4	8.8	10/1000	400	SMA	5.25x2.85x2.5	A28C	A28	DC Power							
BV-SMAJ30CA	BV-SMAJ30A	30	1	33.3	36.8	1	48.4	8.3	10/1000	400	SMA	5.25x2.85x2.5	A30C	A30	DC Power							
BV-SMAJ33CA	BV-SMAJ33A	33	1	36.7	40.6	1	53.3	7.5	10/1000	400	SMA	5.25x2.85x2.5	A33C	A33	DC Power							
BV-SMAJ36CA	BV-SMAJ36A	36	1	40	44.2	1	58.1	6.9	10/1000	400	SMA	5.25x2.85x2.5	A36C	A36	DC Power							
BV-SMAJ40CA	BV-SMAJ40A	40	1	44.4	49.1	1	64.5	6.2	10/1000	400	SMA	5.25x2.85x2.5	A40C	A40	DC Power							
BV-SMAJ43CA	BV-SMAJ43A	43	1	47.8	52.8	1	69.4	5.8	10/1000	400	SMA	5.25x2.85x2.5	A43C	A43	DC Power							
BV-SMAJ45CA	BV-SMAJ45A	45	1	50	55.3	1	72.7	5.5	10/1000	400	SMA	5.25x2.85x2.5	A45C	A45	DC Power							
BV-SMAJ48CA	BV-SMAJ48A	48	1	53.3	58.9	1	77.4	5.2	10/1000	400	SMA	5.25x2.85x2.5	A48C	A48	DC Power							
BV-SMAJ51CA	BV-SMAJ51A	51	1	56.7	62.7	1	82.4	4.9	10/1000	400	SMA	5.25x2.85x2.5	A51C	A51	DC Power							
BV-SMAJ54CA	BV-SMAJ54A	54	1	60	66.3	1	87.1	4.6	10/1000	400	SMA	5.25x2.85x2.5	A54C	A54	DC Power							
BV-SMAJ58CA	BV-SMAJ58A	58	1	64.4	71.2	1	93.6	4.3	10/1000	400	SMA	5.25x2.85x2.5	A58C	A58	DC Power							

产品型号 Part Number		不动作电压 Off state Voltage		击穿电压 Breakdown Voltage			最大钳位电压 Clamp Voltage		测试波形 Surge Waveform (μ s)	峰值功率 P _{PP} (W)	封装 Package	尺寸 Size LxWxH(mm)	印字 Mark		应用 Application	电路符号 Circuit		产品外观 Outline	认证 Certifisate			
双向 BI	单向 UNI	V _{DRM} (V)	I _{DRM} 25°C(μ A) Max	V _{BR} (V) Min	I _R (mA) Max	V _C (V) Max	I _{PP} (A) @	双向 BI					单向 UNI	双向 BI		单向 UNI	UL497B		UL1449	TUV	CQC	
BV-SMAJ60CA	BV-SMAJ60A	60	1	66.7	73.7	1	96.8	4.1	10/1000	400	SMA	5.25x2.85x2.5	A60C	A60	DC Power			<input checked="" type="checkbox"/>	<input type="checkbox"/>	<input type="checkbox"/>	<input type="checkbox"/>	
BV-SMAJ64CA	BV-SMAJ64A	64	1	71.1	78.6	1	103	3.9	10/1000	400	SMA	5.25x2.85x2.5	A64C	A64	DC Power			<input checked="" type="checkbox"/>	<input type="checkbox"/>	<input type="checkbox"/>	<input type="checkbox"/>	
BV-SMAJ70CA	BV-SMAJ70A	70	1	77.8	86	1	113	3.5	10/1000	400	SMA	5.25x2.85x2.5	A70C	A70	DC Power			<input checked="" type="checkbox"/>	<input type="checkbox"/>	<input type="checkbox"/>	<input type="checkbox"/>	
BV-SMAJ75CA	BV-SMAJ75A	75	1	83.3	92.1	1	121	3.3	10/1000	400	SMA	5.25x2.85x2.5	A75C	A75	DC Power			<input checked="" type="checkbox"/>	<input type="checkbox"/>	<input type="checkbox"/>	<input type="checkbox"/>	
BV-SMAJ78CA	BV-SMAJ78A	78	1	86.7	95.8	1	126	3.2	10/1000	400	SMA	5.25x2.85x2.5	A78C	A78	DC Power			<input checked="" type="checkbox"/>	<input type="checkbox"/>	<input type="checkbox"/>	<input type="checkbox"/>	
BV-SMAJ85CA	BV-SMAJ85A	85	1	94.4	104	1	137	2.9	10/1000	400	SMA	5.25x2.85x2.5	A85C	A85	DC Power			<input checked="" type="checkbox"/>	<input type="checkbox"/>	<input type="checkbox"/>	<input type="checkbox"/>	
BV-SMAJ90CA	BV-SMAJ90A	90	1	100	111	1	146	2.7	10/1000	400	SMA	5.25x2.85x2.5	A90C	A90	DC Power			<input checked="" type="checkbox"/>	<input type="checkbox"/>	<input type="checkbox"/>	<input type="checkbox"/>	
BV-SMAJ100CA	BV-SMAJ100A	100	1	111	123	1	162	2.5	10/1000	400	SMA	5.25x2.85x2.5	A100C	A100	DC Power			<input checked="" type="checkbox"/>	<input type="checkbox"/>	<input type="checkbox"/>	<input type="checkbox"/>	
BV-SMAJ110CA	BV-SMAJ110A	110	1	122	135	1	177	2.3	10/1000	400	SMA	5.25x2.85x2.5	A110C	A110	DC Power			<input checked="" type="checkbox"/>	<input type="checkbox"/>	<input type="checkbox"/>	<input type="checkbox"/>	
BV-SMAJ120CA	BV-SMAJ120A	120	1	133	147	1	193	2.1	10/1000	400	SMA	5.25x2.85x2.5	A120C	A120	DC Power			<input checked="" type="checkbox"/>	<input type="checkbox"/>	<input type="checkbox"/>	<input type="checkbox"/>	
BV-SMAJ130CA	BV-SMAJ130A	130	1	144	159	1	209	1.9	10/1000	400	SMA	5.25x2.85x2.5	A130C	A130	DC Power			<input checked="" type="checkbox"/>	<input type="checkbox"/>	<input type="checkbox"/>	<input type="checkbox"/>	
BV-SMAJ150CA	BV-SMAJ150A	150	1	167	185	1	243	1.6	10/1000	400	SMA	5.25x2.85x2.5	A150C	A150	DC Power			<input checked="" type="checkbox"/>	<input type="checkbox"/>	<input type="checkbox"/>	<input type="checkbox"/>	
BV-SMAJ160CA	BV-SMAJ160A	160	1	178	197	1	259	1.5	10/1000	400	SMA	5.25x2.85x2.5	A160C	A160	DC Power			<input checked="" type="checkbox"/>	<input type="checkbox"/>	<input type="checkbox"/>	<input type="checkbox"/>	
BV-SMAJ170CA	BV-SMAJ170A	170	1	189	209	1	275	1.5	10/1000	400	SMA	5.25x2.85x2.5	A170C	A170	DC Power			<input checked="" type="checkbox"/>	<input type="checkbox"/>	<input type="checkbox"/>	<input type="checkbox"/>	
BV-SMAJ180C	BV-SMAJ180A	180	1	201	222	1	292	1.4	10/1000	400	SMA	5.25x2.85x2.5	A180C	A180	DC Power			<input type="checkbox"/>	<input type="checkbox"/>	<input type="checkbox"/>	<input type="checkbox"/>	
BV-SMAJ200C	BV-SMAJ200A	200	1	224	247	1	324	1.2	10/1000	400	SMA	5.25x2.85x2.5	A200C	A200	DC Power			<input type="checkbox"/>	<input type="checkbox"/>	<input type="checkbox"/>	<input type="checkbox"/>	
BV-SMAJ220C	BV-SMAJ220A	220	1	246	272	1	356	1.1	10/1000	400	SMA	5.25x2.85x2.5	A220C	A220	DC Power			<input type="checkbox"/>	<input type="checkbox"/>	<input type="checkbox"/>	<input type="checkbox"/>	
BV-SMAJ250C	BV-SMAJ250A	250	1	279	309	1	405	1	10/1000	400	SMA	5.25x2.85x2.5	A250C	A250	DC Power			<input type="checkbox"/>	<input type="checkbox"/>	<input type="checkbox"/>	<input type="checkbox"/>	
BV-SMAJ300C	BV-SMAJ300A	300	1	335	371	1	486	0.8	10/1000	400	SMA	5.25x2.85x2.5	A300C	A300	DC Power			<input type="checkbox"/>	<input type="checkbox"/>	<input type="checkbox"/>	<input type="checkbox"/>	
BV-SMAJ350C	BV-SMAJ350A	350	1	391	432	1	567	0.7	10/1000	400	SMA	5.25x2.85x2.5	A350C	A350	DC Power			<input type="checkbox"/>	<input type="checkbox"/>	<input type="checkbox"/>	<input type="checkbox"/>	
BV-SMAJ400C	BV-SMAJ400A	400	1	447	494	1	648	0.6	10/1000	400	SMA	5.25x2.85x2.5	A400C	A400	DC Power			<input type="checkbox"/>	<input type="checkbox"/>	<input type="checkbox"/>	<input type="checkbox"/>	
BV-SMAJ440C	BV-SMAJ440A	440	1	492	543	1	713	0.6	10/1000	400	SMA	5.25x2.85x2.5	A440C	A440	DC Power			<input type="checkbox"/>	<input type="checkbox"/>	<input type="checkbox"/>	<input type="checkbox"/>	
BV-SMBJ5CA	BV-SMBJ5A	5	800	6.4	7	10	9.2	65.3	10/1000	600	SMB	5.45x3.75x2.6	B5C	B5	DC Power			<input checked="" type="checkbox"/>	<input type="checkbox"/>	<input type="checkbox"/>	<input type="checkbox"/>	
BV-SMBJ6CA	BV-SMBJ6A	6	800	6.67	7.37	10	10.3	58.3	10/1000	600	SMB	5.45x3.75x2.6	B6C	B6	DC Power			<input checked="" type="checkbox"/>	<input type="checkbox"/>	<input type="checkbox"/>	<input type="checkbox"/>	
BV-SMBJ6.5CA	BV-SMBJ6.5A	6.5	500	7.22	7.98	10	11.2	53.6	10/1000	600	SMB	5.45x3.75x2.6	B6.5C	B6.5	DC Power			<input checked="" type="checkbox"/>	<input type="checkbox"/>	<input type="checkbox"/>	<input type="checkbox"/>	
BV-SMBJ7CA	BV-SMBJ7A	7	200	7.78	8.6	10	12	50	10/1000	600	SMB	5.45x3.75x2.6	B7C	B7	DC Power			<input checked="" type="checkbox"/>	<input type="checkbox"/>	<input type="checkbox"/>	<input type="checkbox"/>	
BV-SMBJ7.5CA	BV-SMBJ7.5A	7.5	100	8.33	9.21	1	12.9	46.6	10/1000	600	SMB	5.45x3.75x2.6	B7.5C	B7.5	DC Power			<input checked="" type="checkbox"/>	<input type="checkbox"/>	<input type="checkbox"/>	<input type="checkbox"/>	
BV-SMBJ8CA	BV-SMBJ8A	8	50	8.89	9.83	1	13.6	44.2	10/1000	600	SMB	5.45x3.75x2.6	B8C	B8	DC Power			<input checked="" type="checkbox"/>	<input type="checkbox"/>	<input type="checkbox"/>	<input type="checkbox"/>	
BV-SMBJ8.5CA	BV-SMBJ8.5A	8.5	20	9.44	10.4	1	14.4	41.7	10/1000	600	SMB	5.45x3.75x2.6	B8.5C	B8.5	DC Power			<input checked="" type="checkbox"/>	<input type="checkbox"/>	<input type="checkbox"/>	<input type="checkbox"/>	
BV-SMBJ9CA	BV-SMBJ9A	9	10	10	11.1	1	15.4	39	10/1000	600	SMB	5.45x3.75x2.6	B9C	B9	DC Power			<input checked="" type="checkbox"/>	<input type="checkbox"/>	<input type="checkbox"/>	<input type="checkbox"/>	
BV-SMBJ10CA	BV-SMBJ10A	10	5	11.1	12.3	1	17	35.3	10/1000	600	SMB	5.45x3.75x2.6	B10C	B10	DC Power			<input checked="" type="checkbox"/>	<input type="checkbox"/>	<input type="checkbox"/>	<input type="checkbox"/>	
BV-SMBJ11CA	BV-SMBJ11A	11	1	12.2	13.5	1	18.2	33	10/1000	600	SMB	5.45x3.75x2.6	B11C	B11	DC Power			<input checked="" type="checkbox"/>	<input type="checkbox"/>	<input type="checkbox"/>	<input type="checkbox"/>	

产品型号 Part Number		不动作电压 Off state Voltage		击穿电压 Breakdown Voltage			最大钳位电压 Clamp Voltage		测试波形 Surge Waveform (μ s)	峰值功率 P _{PP} (W)	封装 Package	尺寸 Size LxWxH(mm)	印字 Mark		应用 Application	电路符号 Circuit		产品外观 Outline	认证 Certifisate			
双向 BI	单向 UNI	V _{DRM} (V)	I _{DRM} 25°C(μ A) Max	V _{BR} (V)	I _R (mA)	V _C (V) Max	I _{PP} (A)	双向 BI					单向 UNI	双向 BI		单向 UNI	UL497B		UL1449	TUV	CQC	
BV-SMBJ12CA	BV-SMBJ12A	12	1	13.3	14.7	1	19.9	30.2	10/1000	600	SMB	5.45x3.75x2.6	B12C	B12	DC Power				<input checked="" type="radio"/>	<input type="radio"/>	<input type="radio"/>	<input type="radio"/>
BV-SMBJ13CA	BV-SMBJ13A	13	1	14.4	15.9	1	21.5	28	10/1000	600	SMB	5.45x3.75x2.6	B13C	B13	DC Power				<input checked="" type="radio"/>	<input type="radio"/>	<input type="radio"/>	<input type="radio"/>
BV-SMBJ14CA	BV-SMBJ14A	14	1	15.6	17.2	1	23.2	25.9	10/1000	600	SMB	5.45x3.75x2.6	B14C	B14	DC Power				<input checked="" type="radio"/>	<input type="radio"/>	<input type="radio"/>	<input type="radio"/>
BV-SMBJ15CA	BV-SMBJ15A	15	1	16.7	18.5	1	24.4	24.6	10/1000	600	SMB	5.45x3.75x2.6	B15C	B15	DC Power				<input checked="" type="radio"/>	<input type="radio"/>	<input type="radio"/>	<input type="radio"/>
BV-SMBJ16CA	BV-SMBJ16A	16	1	17.8	19.7	1	26	23.1	10/1000	600	SMB	5.45x3.75x2.6	B16C	B16	DC Power				<input checked="" type="radio"/>	<input type="radio"/>	<input type="radio"/>	<input type="radio"/>
BV-SMBJ17CA	BV-SMBJ17A	17	1	18.9	20.9	1	27.6	21.8	10/1000	600	SMB	5.45x3.75x2.6	B17C	B17	DC Power				<input checked="" type="radio"/>	<input type="radio"/>	<input type="radio"/>	<input type="radio"/>
BV-SMBJ18CA	BV-SMBJ18A	18	1	20	22.1	1	29.2	20.6	10/1000	600	SMB	5.45x3.75x2.6	B18C	B18	DC Power				<input checked="" type="radio"/>	<input type="radio"/>	<input type="radio"/>	<input type="radio"/>
BV-SMBJ20CA	BV-SMBJ20A	20	1	22.2	24.5	1	32.4	18.6	10/1000	600	SMB	5.45x3.75x2.6	B20C	B20	DC Power				<input checked="" type="radio"/>	<input type="radio"/>	<input type="radio"/>	<input type="radio"/>
BV-SMBJ22CA	BV-SMBJ22A	22	1	24.4	26.9	1	35.5	16.9	10/1000	600	SMB	5.45x3.75x2.6	B22C	B22	DC Power				<input checked="" type="radio"/>	<input type="radio"/>	<input type="radio"/>	<input type="radio"/>
BV-SMBJ24CA	BV-SMBJ24A	24	1	26.7	29.5	1	38.9	15.5	10/1000	600	SMB	5.45x3.75x2.6	B24C	B24	DC Power				<input checked="" type="radio"/>	<input type="radio"/>	<input type="radio"/>	<input type="radio"/>
BV-SMBJ26CA	BV-SMBJ26A	26	1	28.9	31.9	1	42.1	14.3	10/1000	600	SMB	5.45x3.75x2.6	B26C	B26	DC Power				<input checked="" type="radio"/>	<input type="radio"/>	<input type="radio"/>	<input type="radio"/>
BV-SMBJ28CA	BV-SMBJ28A	28	1	31.1	34.4	1	45.4	13.3	10/1000	600	SMB	5.45x3.75x2.6	B28C	B28	DC Power				<input checked="" type="radio"/>	<input type="radio"/>	<input type="radio"/>	<input type="radio"/>
BV-SMBJ30CA	BV-SMBJ30A	30	1	33.3	36.8	1	48.4	12.4	10/1000	600	SMB	5.45x3.75x2.6	B30C	B30	DC Power				<input checked="" type="radio"/>	<input type="radio"/>	<input type="radio"/>	<input type="radio"/>
BV-SMBJ33CA	BV-SMBJ33A	33	1	36.7	40.6	1	53.3	11.3	10/1000	600	SMB	5.45x3.75x2.6	B33C	B33	DC Power				<input checked="" type="radio"/>	<input type="radio"/>	<input type="radio"/>	<input type="radio"/>
BV-SMBJ36CA	BV-SMBJ36A	36	1	40	44.2	1	58.1	10.4	10/1000	600	SMB	5.45x3.75x2.6	B36C	B36	DC Power				<input checked="" type="radio"/>	<input type="radio"/>	<input type="radio"/>	<input type="radio"/>
BV-SMBJ40CA	BV-SMBJ40A	40	1	44.4	49.1	1	64.5	9.3	10/1000	600	SMB	5.45x3.75x2.6	B40C	B40	DC Power				<input checked="" type="radio"/>	<input type="radio"/>	<input type="radio"/>	<input type="radio"/>
BV-SMBJ43CA	BV-SMBJ43A	43	1	47.8	52.8	1	69.4	8.7	10/1000	600	SMB	5.45x3.75x2.6	B43C	B43	DC Power				<input checked="" type="radio"/>	<input type="radio"/>	<input type="radio"/>	<input type="radio"/>
BV-SMBJ45CA	BV-SMBJ45A	45	1	50	55.3	1	72.7	8.3	10/1000	600	SMB	5.45x3.75x2.6	B45C	B45	DC Power				<input checked="" type="radio"/>	<input type="radio"/>	<input type="radio"/>	<input type="radio"/>
BV-SMBJ48CA	BV-SMBJ48A	48	1	53.3	58.9	1	77.4	7.8	10/1000	600	SMB	5.45x3.75x2.6	B48C	B48	DC Power				<input checked="" type="radio"/>	<input type="radio"/>	<input type="radio"/>	<input type="radio"/>
BV-SMBJ51CA	BV-SMBJ51A	51	1	56.7	62.7	1	82.4	7.3	10/1000	600	SMB	5.45x3.75x2.6	B51C	B51	DC Power				<input checked="" type="radio"/>	<input type="radio"/>	<input type="radio"/>	<input type="radio"/>
BV-SMBJ54CA	BV-SMBJ54A	54	1	60	66.3	1	87.1	6.9	10/1000	600	SMB	5.45x3.75x2.6	B54C	B54	DC Power				<input checked="" type="radio"/>	<input type="radio"/>	<input type="radio"/>	<input type="radio"/>
BV-SMBJ58CA	BV-SMBJ58A	58	1	64.4	71.2	1	93.6	6.5	10/1000	600	SMB	5.45x3.75x2.6	B58C	B58	DC Power				<input checked="" type="radio"/>	<input type="radio"/>	<input type="radio"/>	<input type="radio"/>
BV-SMBJ60CA	BV-SMBJ60A	60	1	66.7	73.7	1	96.8	6.2	10/1000	600	SMB	5.45x3.75x2.6	B60C	B60	DC Power				<input checked="" type="radio"/>	<input type="radio"/>	<input type="radio"/>	<input type="radio"/>
BV-SMBJ64CA	BV-SMBJ64A	64	1	71.1	78.6	1	103	5.9	10/1000	600	SMB	5.45x3.75x2.6	B64C	B64	DC Power				<input checked="" type="radio"/>	<input type="radio"/>	<input type="radio"/>	<input type="radio"/>
BV-SMBJ70CA	BV-SMBJ70A	70	1	77.8	86	1	113	5.3	10/1000	600	SMB	5.45x3.75x2.6	B70C	B70	DC Power				<input checked="" type="radio"/>	<input type="radio"/>	<input type="radio"/>	<input type="radio"/>
BV-SMBJ75CA	BV-SMBJ75A	75	1	83.3	92.1	1	121	5	10/1000	600	SMB	5.45x3.75x2.6	B75C	B75	DC Power				<input checked="" type="radio"/>	<input type="radio"/>	<input type="radio"/>	<input type="radio"/>
BV-SMBJ78CA	BV-SMBJ78A	78	1	86.7	95.8	1	126	4.8	10/1000	600	SMB	5.45x3.75x2.6	B78C	B78	DC Power				<input checked="" type="radio"/>	<input type="radio"/>	<input type="radio"/>	<input type="radio"/>
BV-SMBJ85CA	BV-SMBJ85A	85	1	94.4	104	1	137	4.4	10/1000	600	SMB	5.45x3.75x2.6	B85C	B85	DC Power				<input checked="" type="radio"/>	<input type="radio"/>	<input type="radio"/>	<input type="radio"/>
BV-SMBJ90CA	BV-SMBJ90A	90	1	100	111	1	146	4.1	10/1000	600	SMB	5.45x3.75x2.6	B90C	B90	DC Power				<input checked="" type="radio"/>	<input type="radio"/>	<input type="radio"/>	<input type="radio"/>
BV-SMBJ100CA	BV-SMBJ100A	100	1	111	123	1	162	3.7	10/1000	600	SMB	5.45x3.75x2.6	B100C	B100	DC Power				<input checked="" type="radio"/>	<input type="radio"/>	<input type="radio"/>	<input type="radio"/>
BV-SMBJ110CA	BV-SMBJ110A	110	1	122	135	1	177	3.4	10/1000	600	SMB	5.45x3.75x2.6	B110C	B110	DC Power				<input checked="" type="radio"/>	<input type="radio"/>	<input type="radio"/>	<input type="radio"/>
BV-SMBJ120CA	BV-SMBJ120A	120	1	133	147	1	193	3.1	10/1000	600	SMB	5.45x3.75x2.6	B120C	B120	DC Power				<input checked="" type="radio"/>	<input type="radio"/>	<input type="radio"/>	<input type="radio"/>

产品型号 Part Number		不动作电压 Off state Voltage		击穿电压 Breakdown Voltage			最大钳位电压 Clamp Voltage		测试波形 Surge Waveform	峰值功率 P _{PP}	封装 Package	尺寸 Size	印字 Mark		应用 Application	电路符号 Circuit		产品外观 Outline	认证 Certifisate			
双向 BI	单向 UNI	V _{DRM} (V)	I _{DRM} 25°C(μA) Max	V _{BR} (V)	I _R (mA)	V _C (V) Max	I _{PP} (A)		(W)		LxWxH(mm)	双向 BI	单向 UNI		双向 BI	单向 UNI		UL497B	UL1449	TUV	CQC	
BV-SMBJ130CA	BV-SMBJ130A	130	1	144	159	1	209	2.9	10/1000	600	SMB	5.45x3.75x2.6	B130C	B130	DC Power				●	○	○	○
BV-SMBJ150CA	BV-SMBJ150A	150	1	167	185	1	243	2.5	10/1000	600	SMB	5.45x3.75x2.6	B150C	B150	DC Power				●	○	○	○
BV-SMBJ160CA	BV-SMBJ160A	160	1	178	197	1	259	2.3	10/1000	600	SMB	5.45x3.75x2.6	B160C	B160	DC Power				●	○	○	○
BV-SMBJ170CA	BV-SMBJ170A	170	1	189	209	1	275	2.2	10/1000	600	SMB	5.45x3.75x2.6	B170C	B170	DC Power				●	○	○	○
BV-SMBJ180CA	BV-SMBJ180A	180	1	201	222	1	292	2.1	10/1000	600	SMB	5.45x3.75x2.6	B180C	B180	DC Power				○	○	○	○
BV-SMBJ188CA	BV-SMBJ188A	188	1	209	231	1	304	2	10/1000	600	SMB	5.45x3.75x2.6	B188C	B188	DC Power				○	○	○	○
BV-SMBJ200CA	BV-SMBJ200A	200	1	224	247	1	324	1.9	10/1000	600	SMB	5.45x3.75x2.6	B200C	B200	DC Power				○	○	○	○
BV-SMBJ220CA	BV-SMBJ220A	220	1	246	272	1	356	1.7	10/1000	600	SMB	5.45x3.75x2.6	B220C	B220	DC Power				○	○	○	○
BV-SMBJ250CA	BV-SMBJ250A	250	1	279	309	1	405	1.5	10/1000	600	SMB	5.45x3.75x2.6	B250C	B250	DC Power				○	○	○	○
BV-SMBJ300CA	BV-SMBJ300A	300	1	335	371	1	486	1.3	10/1000	600	SMB	5.45x3.75x2.6	B300C	B300	DC Power				○	○	○	○
BV-SMBJ350CA	BV-SMBJ350A	350	1	391	432	1	567	1.1	10/1000	600	SMB	5.45x3.75x2.6	B350C	B350	DC Power				○	○	○	○
BV-SMBJ400CA	BV-SMBJ400A	400	1	447	494	1	648	0.9	10/1000	600	SMB	5.45x3.75x2.6	B400C	B400	DC Power				○	○	○	○
BV-SMBJ440CA	BV-SMBJ440A	440	1	492	543	1	713	0.9	10/1000	600	SMB	5.45x3.75x2.6	B440C	B440	DC Power				○	○	○	○
BV-SMBJ480CA	BV-SMBJ480A	480	1	536	593	1	750	0.8	10/1000	600	SMB	5.45x3.75x2.6	B480C	B480	DC Power				○	○	○	○
BV-SMCJ5CA	BV-SMCJ5A	5	800	6.4	7	10	9.2	163.0	10/1000	1500	SMC	8.25x6.15x2.95	C5C	C5	DC Power				●	○	○	○
BV-SMCJ6CA	BV-SMCJ6A	6	800	6.67	7.37	10	10.3	145.7	10/1000	1500	SMC	8.25x6.15x2.95	C6C	C6	DC Power				●	○	○	○
BV-SMCJ6.5CA	BV-SMCJ6.5A	6.5	500	7.22	7.98	10	11.2	134.0	10/1000	1500	SMC	8.25x6.15x2.95	C6.5C	C6.5	DC Power				●	○	○	○
BV-SMCJ7CA	BV-SMCJ7A	7	200	7.78	8.6	10	12	125.0	10/1000	1500	SMC	8.25x6.15x2.95	C7C	C7	DC Power				●	○	○	○
BV-SMCJ7.5CA	BV-SMCJ7.5A	7.5	100	8.33	9.21	1	12.9	116.3	10/1000	1500	SMC	8.25x6.15x2.95	C7.5C	C7.5	DC Power				●	○	○	○
BV-SMCJ8CA	BV-SMCJ8A	8	50	8.89	9.83	1	13.6	110.3	10/1000	1500	SMC	8.25x6.15x2.95	C8C	C8	DC Power				●	○	○	○
BV-SMCJ8.5CA	BV-SMCJ8.5A	8.5	20	9.44	10.4	1	14.4	104.2	10/1000	1500	SMC	8.25x6.15x2.95	C8.5C	C8.5	DC Power				●	○	○	○
BV-SMCJ9CA	BV-SMCJ9A	9	10	10	11.1	1	15.4	97.4	10/1000	1500	SMC	8.25x6.15x2.95	C9C	C9	DC Power				●	○	○	○
BV-SMCJ10CA	BV-SMCJ10A	10	5	11.1	12.3	1	17	88.3	10/1000	1500	SMC	8.25x6.15x2.95	C10C	C10	DC Power				●	○	○	○
BV-SMCJ11CA	BV-SMCJ11A	11	1	12.2	13.5	1	18.2	82.5	10/1000	1500	SMC	8.25x6.15x2.95	C11C	C11	DC Power				●	○	○	○
BV-SMCJ12CA	BV-SMCJ12A	12	1	13.3	14.7	1	19.9	75.4	10/1000	1500	SMC	8.25x6.15x2.95	C12C	C12	DC Power				●	○	○	○
BV-SMCJ13CA	BV-SMCJ13A	13	1	14.4	15.9	1	21.5	69.8	10/1000	1500	SMC	8.25x6.15x2.95	C13C	C13	DC Power				●	○	○	○
BV-SMCJ14CA	BV-SMCJ14A	14	1	15.6	17.2	1	23.2	64.7	10/1000	1500	SMC	8.25x6.15x2.95	C14C	C14	DC Power				●	○	○	○
BV-SMCJ15CA	BV-SMCJ15A	15	1	16.7	18.5	1	24.4	61.5	10/1000	1500	SMC	8.25x6.15x2.95	C15C	C15	DC Power				●	○	○	○
BV-SMCJ16CA	BV-SMCJ16A	16	1	17.8	19.7	1	26	57.7	10/1000	1500	SMC	8.25x6.15x2.95	C16C	C16	DC Power				●	○	○	○
BV-SMCJ17CA	BV-SMCJ17A	17	1	18.9	20.9	1	27.6	54.4	10/1000	1500	SMC	8.25x6.15x2.95	C17C	C17	DC Power				●	○	○	○
BV-SMCJ18CA	BV-SMCJ18A	18	1	20	22.1	1	29.2	51.4	10/1000	1500	SMC	8.25x6.15x2.95	C18C	C18	DC Power				●	○	○	○
BV-SMCJ20CA	BV-SMCJ20A	20	1	22.2	24.5	1	32.4	46.3	10/1000	1500	SMC	8.25x6.15x2.95	C20C	C20	DC Power				●	○	○	○

产品型号 Part Number		不动作电压 Off state Voltage		击穿电压 Breakdown Voltage			最大钳位电压 Clamp Voltage		测试波形 Surge Waveform (μ s)	峰值功率 P _{PP} (W)	封装 Package	尺寸 Size LxWxH(mm)	印字 Mark		应用 Application	电路符号 Circuit		产品外观 Outline	认证 Certifisate			
双向 BI	单向 UNI	V _{DRM} (V)	I _{DRM} 25°C(μ A) Max	V _{BR} (V)	I _R (mA)	V _C (V) Max	I _{PP} (A)	双向 BI					单向 UNI	双向 BI		单向 UNI	UL497B		UL1449	TUV	CQC	
BV-SMCJ22CA	BV-SMCJ22A	22	1	24.4	26.9	1	35.5	42.3	10/1000	1500	SMC	8.25x6.15x2.95	C22C	C22	DC Power							
BV-SMCJ24CA	BV-SMCJ24A	24	1	26.7	29.5	1	38.9	38.6	10/1000	1500	SMC	8.25x6.15x2.95	C24C	C24	DC Power							
BV-SMCJ26CA	BV-SMCJ26A	26	1	28.9	31.9	1	42.1	35.7	10/1000	1500	SMC	8.25x6.15x2.95	C26C	C26	DC Power							
BV-SMCJ28CA	BV-SMCJ28A	28	1	31.1	34.4	1	45.4	33.1	10/1000	1500	SMC	8.25x6.15x2.95	C28C	C28	DC Power							
BV-SMCJ30CA	BV-SMCJ30A	30	1	33.3	36.8	1	48.4	31.0	10/1000	1500	SMC	8.25x6.15x2.95	C30C	C30	DC Power							
BV-SMCJ33CA	BV-SMCJ33A	33	1	36.7	40.6	1	53.3	28.2	10/1000	1500	SMC	8.25x6.15x2.95	C33C	C33	DC Power							
BV-SMCJ36CA	BV-SMCJ36A	36	1	40	44.2	1	58.1	25.9	10/1000	1500	SMC	8.25x6.15x2.95	C36C	C36	DC Power							
BV-SMCJ40CA	BV-SMCJ40A	40	1	44.4	49.1	1	64.5	23.3	10/1000	1500	SMC	8.25x6.15x2.95	C40C	C40	DC Power							
BV-SMCJ43CA	BV-SMCJ43A	43	1	47.8	52.8	1	69.4	21.7	10/1000	1500	SMC	8.25x6.15x2.95	C43C	C43	DC Power							
BV-SMCJ45CA	BV-SMCJ45A	45	1	50	55.3	1	72.7	20.6	10/1000	1500	SMC	8.25x6.15x2.95	C45C	C45	DC Power							
BV-SMCJ48CA	BV-SMCJ48A	48	1	53.3	58.9	1	77.4	19.4	10/1000	1500	SMC	8.25x6.15x2.95	C48C	C48	DC Power							
BV-SMCJ51CA	BV-SMCJ51A	51	1	56.7	62.7	1	82.4	18.2	10/1000	1500	SMC	8.25x6.15x2.95	C51C	C51	DC Power							
BV-SMCJ54CA	BV-SMCJ54A	54	1	60	66.3	1	87.1	17.3	10/1000	1500	SMC	8.25x6.15x2.95	C54C	C54	DC Power							
BV-SMCJ58CA	BV-SMCJ58A	58	1	64.4	71.2	1	93.6	16.1	10/1000	1500	SMC	8.25x6.15x2.95	C58C	C58	DC Power							
BV-SMCJ60CA	BV-SMCJ60A	60	1	66.7	73.7	1	96.8	15.5	10/1000	1500	SMC	8.25x6.15x2.95	C60C	C60	DC Power							
BV-SMCJ64CA	BV-SMCJ64A	64	1	71.1	78.6	1	103	14.6	10/1000	1500	SMC	8.25x6.15x2.95	C64C	C64	DC Power							
BV-SMCJ70CA	BV-SMCJ70A	70	1	77.8	86	1	113	13.3	10/1000	1500	SMC	8.25x6.15x2.95	C70C	C70	DC Power							
BV-SMCJ75CA	BV-SMCJ75A	75	1	83.3	92.1	1	121	12.4	10/1000	1500	SMC	8.25x6.15x2.95	C75C	C75	DC Power							
BV-SMCJ78CA	BV-SMCJ78A	78	1	86.7	95.8	1	126	11.9	10/1000	1500	SMC	8.25x6.15x2.95	C78C	C78	DC Power							
BV-SMCJ85CA	BV-SMCJ85A	85	1	94.4	104	1	137	11.0	10/1000	1500	SMC	8.25x6.15x2.95	C85C	C85	DC Power							
BV-SMCJ90CA	BV-SMCJ90A	90	1	100	111	1	146	10.3	10/1000	1500	SMC	8.25x6.15x2.95	C90C	C90	DC Power							
BV-SMCJ100CA	BV-SMCJ100A	100	1	111	123	1	162	9.3	10/1000	1500	SMC	8.25x6.15x2.95	C100C	C100	DC Power							
BV-SMCJ110CA	BV-SMCJ110A	110	1	122	135	1	177	8.5	10/1000	1500	SMC	8.25x6.15x2.95	C110C	C110	DC Power							
BV-SMCJ120CA	BV-SMCJ120CA	120	1	133	147	1	193	7.8	10/1000	1500	SMC	8.25x6.15x2.95	C120C	C120C	DC Power							
BV-SMCJ130CA	BV-SMCJ130CA	130	1	144	159	1	209	7.2	10/1000	1500	SMC	8.25x6.15x2.95	C130C	C130C	DC Power							
BV-SMCJ150CA	BV-SMCJ150CA	150	1	167	185	1	243	6.2	10/1000	1500	SMC	8.25x6.15x2.95	C150C	C150C	DC Power							
BV-SMCJ160CA	BV-SMCJ160CA	160	1	178	197	1	259	5.8	10/1000	1500	SMC	8.25x6.15x2.95	C160C	C160C	DC Power							
BV-SMCJ170CA	BV-SMCJ170CA	170	1	189	209	1	275	5.5	10/1000	1500	SMC	8.25x6.15x2.95	C170C	C170C	DC Power							
BV-SMCJ180CA	BV-SMCJ180CA	180	1	201	222	1	292	5.1	10/1000	1500	SMC	8.25x6.15x2.95	C180C	C180C	DC Power							
BV-SMCJ200CA	BV-SMCJ200CA	200	1	224	247	1	324	4.6	10/1000	1500	SMC	8.25x6.15x2.95	C200C	C200C	DC Power							
BV-SMCJ220CA	BV-SMCJ220CA	220	1	246	272	1	356	4.2	10/1000	1500	SMC	8.25x6.15x2.95	C220C	C220C	DC Power							
BV-SMCJ250CA	BV-SMCJ250CA	250	1	279	309	1	405	3.7	10/1000	1500	SMC	8.25x6.15x2.95	C250C	C250C	DC Power							

产品型号 Part Number		不动作电压 Off state Voltage		击穿电压 Breakdown Voltage			最大钳位电压 Clamp Voltage		测试波形 Surge Waveform (μ s)	峰值功率 P _{PP} (W)	封装 Package	尺寸 Size LxWxH(mm)	印字 Mark		应用 Application	电路符号 Circuit		产品外观 Outline	认证 Certifisate			
双向 BI	单向 UNI	V _{DRM} (V)	I _{DRM} 25°C(μ A) Max	V _{BR} (V)	I _R (mA)	V _C (V) Max	I _{PP} (A)	双向 BI					单向 UNI	双向 BI		单向 UNI	UL497B		UL1449	TUV	CQC	
BV-SMCJ300CA	BV-SMCJ300CA	300	1	335	371	1	486	3.1	10/1000	1500	SMC	8.25x6.15x2.95	C300C	C300C	DC Power			<input type="radio"/>	<input type="radio"/>	<input type="radio"/>	<input type="radio"/>	
BV-SMCJ350CA	BV-SMCJ350CA	350	1	391	432	1	567	2.6	10/1000	1500	SMC	8.25x6.15x2.95	C350C	C350C	DC Power			<input type="radio"/>	<input type="radio"/>	<input type="radio"/>	<input type="radio"/>	
BV-SMCJ400CA	BV-SMCJ400CA	400	1	447	494	1	648	2.3	10/1000	1500	SMC	8.25x6.15x2.95	C400C	C400C	DC Power			<input type="radio"/>	<input type="radio"/>	<input type="radio"/>	<input type="radio"/>	
BV-SMCJ440CA	BV-SMCJ440CA	440	1	492	543	1	713	2.1	10/1000	1500	SMC	8.25x6.15x2.95	C440C	C440C	DC Power			<input type="radio"/>	<input type="radio"/>	<input type="radio"/>	<input type="radio"/>	
BV-SMDJ5CA	BV-SMDJ5A	5	800	6.4	7	10	9.2	326.1	10/1000	3000	SMC	8.25x6.15x2.95	D5C	D5	DC Power			<input checked="" type="radio"/>	<input type="radio"/>	<input type="radio"/>	<input type="radio"/>	
BV-SMDJ6CA	BV-SMDJ6A	6	800	6.67	7.37	10	10.3	291.3	10/1000	3000	SMC	8.25x6.15x2.95	D6C	D6	DC Power			<input checked="" type="radio"/>	<input type="radio"/>	<input type="radio"/>	<input type="radio"/>	
BV-SMDJ6.5CA	BV-SMDJ6.5A	6.5	500	7.22	7.98	10	11.2	267.9	10/1000	3000	SMC	8.25x6.15x2.95	D6.5C	D6.5	DC Power			<input checked="" type="radio"/>	<input type="radio"/>	<input type="radio"/>	<input type="radio"/>	
BV-SMDJ7CA	BV-SMDJ7A	7	200	7.78	8.6	10	12	250.0	10/1000	3000	SMC	8.25x6.15x2.95	D7C	D7	DC Power			<input checked="" type="radio"/>	<input type="radio"/>	<input type="radio"/>	<input type="radio"/>	
BV-SMDJ7.5CA	BV-SMDJ7.5A	7.5	100	8.33	9.21	1	12.9	232.6	10/1000	3000	SMC	8.25x6.15x2.95	D7.5C	D7.5	DC Power			<input checked="" type="radio"/>	<input type="radio"/>	<input type="radio"/>	<input type="radio"/>	
BV-SMDJ8CA	BV-SMDJ8A	8	50	8.89	9.83	1	13.6	220.6	10/1000	3000	SMC	8.25x6.15x2.95	D8C	D8	DC Power			<input checked="" type="radio"/>	<input type="radio"/>	<input type="radio"/>	<input type="radio"/>	
BV-SMDJ8.5CA	BV-SMDJ8.5A	8.5	20	9.44	10.4	1	14.4	208.3	10/1000	3000	SMC	8.25x6.15x2.95	D8.5C	D8.5	DC Power			<input checked="" type="radio"/>	<input type="radio"/>	<input type="radio"/>	<input type="radio"/>	
BV-SMDJ9CA	BV-SMDJ9A	9	10	10	11.1	1	15.4	194.8	10/1000	3000	SMC	8.25x6.15x2.95	D9C	D9	DC Power			<input checked="" type="radio"/>	<input type="radio"/>	<input type="radio"/>	<input type="radio"/>	
BV-SMDJ10CA	BV-SMDJ10A	10	5	11.1	12.3	1	17	176.5	10/1000	3000	SMC	8.25x6.15x2.95	D10C	D10	DC Power			<input checked="" type="radio"/>	<input type="radio"/>	<input type="radio"/>	<input type="radio"/>	
BV-SMDJ11CA	BV-SMDJ11A	11	2	12.2	13.5	1	18.2	164.8	10/1000	3000	SMC	8.25x6.15x2.95	D11C	D11	DC Power			<input checked="" type="radio"/>	<input type="radio"/>	<input type="radio"/>	<input type="radio"/>	
BV-SMDJ12CA	BV-SMDJ12A	12	1	13.3	14.7	1	19.9	150.8	10/1000	3000	SMC	8.25x6.15x2.95	D12C	D12	DC Power			<input checked="" type="radio"/>	<input type="radio"/>	<input type="radio"/>	<input type="radio"/>	
BV-SMDJ13CA	BV-SMDJ13A	13	1	14.4	15.9	1	21.5	139.5	10/1000	3000	SMC	8.25x6.15x2.95	D13C	D13	DC Power			<input checked="" type="radio"/>	<input type="radio"/>	<input type="radio"/>	<input type="radio"/>	
BV-SMDJ14CA	BV-SMDJ14A	14	1	15.6	17.2	1	23.2	129.3	10/1000	3000	SMC	8.25x6.15x2.95	D14C	D14	DC Power			<input checked="" type="radio"/>	<input type="radio"/>	<input type="radio"/>	<input type="radio"/>	
BV-SMDJ15CA	BV-SMDJ15A	15	1	16.7	18.5	1	24.4	123.0	10/1000	3000	SMC	8.25x6.15x2.95	D15C	D15	DC Power			<input checked="" type="radio"/>	<input type="radio"/>	<input type="radio"/>	<input type="radio"/>	
BV-SMDJ16CA	BV-SMDJ16A	16	1	17.8	19.7	1	26	115.4	10/1000	3000	SMC	8.25x6.15x2.95	D16C	D16	DC Power			<input checked="" type="radio"/>	<input type="radio"/>	<input type="radio"/>	<input type="radio"/>	
BV-SMDJ17CA	BV-SMDJ17A	17	1	18.9	20.9	1	27.6	108.7	10/1000	3000	SMC	8.25x6.15x2.95	D17C	D17	DC Power			<input checked="" type="radio"/>	<input type="radio"/>	<input type="radio"/>	<input type="radio"/>	
BV-SMDJ18CA	BV-SMDJ18A	18	1	20	22.1	1	29.2	102.7	10/1000	3000	SMC	8.25x6.15x2.95	D18C	D18	DC Power			<input checked="" type="radio"/>	<input type="radio"/>	<input type="radio"/>	<input type="radio"/>	
BV-SMDJ20CA	BV-SMDJ20A	20	1	22.2	24.5	1	32.4	92.6	10/1000	3000	SMC	8.25x6.15x2.95	D20C	D20	DC Power			<input checked="" type="radio"/>	<input type="radio"/>	<input type="radio"/>	<input type="radio"/>	
BV-SMDJ22CA	BV-SMDJ22A	22	1	24.4	26.9	1	35.5	84.5	10/1000	3000	SMC	8.25x6.15x2.95	D22C	D22	DC Power			<input checked="" type="radio"/>	<input type="radio"/>	<input type="radio"/>	<input type="radio"/>	
BV-SMDJ24CA	BV-SMDJ24A	24	1	26.7	29.5	1	38.9	77.1	10/1000	3000	SMC	8.25x6.15x2.95	D24C	D24	DC Power			<input checked="" type="radio"/>	<input type="radio"/>	<input type="radio"/>	<input type="radio"/>	
BV-SMDJ26CA	BV-SMDJ26A	26	1	28.9	31.9	1	42.1	71.3	10/1000	3000	SMC	8.25x6.15x2.95	D26C	D26	DC Power			<input checked="" type="radio"/>	<input type="radio"/>	<input type="radio"/>	<input type="radio"/>	
BV-SMDJ28CA	BV-SMDJ28A	28	1	31.1	34.4	1	45.4	66.1	10/1000	3000	SMC	8.25x6.15x2.95	D28C	D28	DC Power			<input checked="" type="radio"/>	<input type="radio"/>	<input type="radio"/>	<input type="radio"/>	
BV-SMDJ30CA	BV-SMDJ30A	30	1	33.3	36.8	1	48.4	62.0	10/1000	3000	SMC	8.25x6.15x2.95	D30C	D30	DC Power			<input checked="" type="radio"/>	<input type="radio"/>	<input type="radio"/>	<input type="radio"/>	
BV-SMDJ33CA	BV-SMDJ33A	33	1	36.7	40.6	1	53.3	56.3	10/1000	3000	SMC	8.25x6.15x2.95	D33C	D33	DC Power			<input checked="" type="radio"/>	<input type="radio"/>	<input type="radio"/>	<input type="radio"/>	
BV-SMDJ36CA	BV-SMDJ36A	36	1	40	44.2	1	58.1	51.6	10/1000	3000	SMC	8.25x6.15x2.95	D36C	D36	DC Power			<input checked="" type="radio"/>	<input type="radio"/>	<input type="radio"/>	<input type="radio"/>	
BV-SMDJ40CA	BV-SMDJ40A	40	1	44.4	49.1	1	64.5	46.5	10/1000	3000	SMC	8.25x6.15x2.95	D40C	D40	DC Power			<input checked="" type="radio"/>	<input type="radio"/>	<input type="radio"/>	<input type="radio"/>	
BV-SMDJ43CA	BV-SMDJ43A	43	1	47.8	52.8	1	69.4	43.2	10/1000	3000	SMC	8.25x6.15x2.95	D43C	D43	DC Power			<input checked="" type="radio"/>	<input type="radio"/>	<input type="radio"/>	<input type="radio"/>	
BV-SMDJ45CA	BV-SMDJ45A	45	1	50	55.3	1	72.7	41.3	10/1000	3000	SMC	8.25x6.15x2.95	D45C	D45	DC Power			<input checked="" type="radio"/>	<input type="radio"/>	<input type="radio"/>	<input type="radio"/>	

产品型号 Part Number		不动作电压 Off state Voltage		击穿电压 Breakdown Voltage			最大钳位电压 Clamp Voltage		测试波形 Surge Waveform (μ s)	峰值功率 P _{PP} (W)	封装 Package	尺寸 Size LxWxH(mm)	印字 Mark		应用 Application	电路符号 Circuit		产品外观 Outline	认证 Certifisate			
双向 BI	单向 UNI	V _{DRM} (V)	I _{DRM} 25°C(μ A) Max	V _{BR} (V)	I _R (mA)	V _C (V) Max	I _{PP} (A)	双向 BI					单向 UNI	双向 BI		单向 UNI	UL497B		UL1449	TUV	CQC	
BV-SMDJ48CA	BV-SMDJ48A	48	1	53.3	58.9	1	77.4	38.8	10/1000	3000	SMC	8.25x6.15x2.95	D48C	D48	DC Power							
BV-SMDJ51CA	BV-SMDJ51A	51	1	56.7	62.7	1	82.4	36.4	10/1000	3000	SMC	8.25x6.15x2.95	D51C	D51	DC Power							
BV-SMDJ54CA	BV-SMDJ54A	54	1	60	66.3	1	87.1	34.4	10/1000	3000	SMC	8.25x6.15x2.95	D54C	D54	DC Power							
BV-SMDJ58CA	BV-SMDJ58A	58	1	64.4	71.2	1	93.6	32.1	10/1000	3000	SMC	8.25x6.15x2.95	D58C	D58	DC Power							
BV-SMDJ60CA	BV-SMDJ60A	60	1	66.7	73.7	1	96.8	31.0	10/1000	3000	SMC	8.25x6.15x2.95	D60C	D60	DC Power							
BV-SMDJ64CA	BV-SMDJ64A	64	1	71.1	78.6	1	103	29.1	10/1000	3000	SMC	8.25x6.15x2.95	D64C	D64	DC Power							
BV-SMDJ70CA	BV-SMDJ70A	70	1	77.8	86	1	113	26.5	10/1000	3000	SMC	8.25x6.15x2.95	D70C	D70	DC Power							
BV-SMDJ75CA	BV-SMDJ75A	75	1	83.3	92.1	1	121	24.8	10/1000	3000	SMC	8.25x6.15x2.95	D75C	D75	DC Power							
BV-SMDJ78CA	BV-SMDJ78A	78	1	86.7	95.8	1	126	23.8	10/1000	3000	SMC	8.25x6.15x2.95	D78C	D78	DC Power							
BV-SMDJ85CA	BV-SMDJ85A	85	1	94.4	104	1	137	21.9	10/1000	3000	SMC	8.25x6.15x2.95	D85C	D85	DC Power							
BV-SMDJ90CA	BV-SMDJ90A	90	1	100	111	1	146	20.5	10/1000	3000	SMC	8.25x6.15x2.95	D90C	D90	DC Power							
BV-SMDJ100CA	BV-SMDJ100A	100	1	111	123	1	162	18.5	10/1000	3000	SMC	8.25x6.15x2.95	D100C	D100	DC Power							
BV-SMDJ110CA	BV-SMDJ110A	110	1	122	135	1	177	16.9	10/1000	3000	SMC	8.25x6.15x2.95	D110C	D110	DC Power							
BV-SMDJ120CA	BV-SMDJ120A	120	1	133	147	1	193	15.5	10/1000	3000	SMC	8.25x6.15x2.95	D120C	D120	DC Power							
BV-SMDJ130CA	BV-SMDJ130A	130	1	144	159	1	209	14.4	10/1000	3000	SMC	8.25x6.15x2.95	D130C	D130	DC Power							
BV-SMDJ150CA	BV-SMDJ150A	150	1	167	185	1	243	12.3	10/1000	3000	SMC	8.25x6.15x2.95	D150C	D150	DC Power							
BV-SMDJ160CA	BV-SMDJ160A	160	1	178	197	1	259	11.6	10/1000	3000	SMC	8.25x6.15x2.95	D160C	D160	DC Power							
BV-SMDJ170CA	BV-SMDJ170A	170	1	189	209	1	275	10.9	10/1000	3000	SMC	8.25x6.15x2.95	D170C	D170	DC Power							
BV-5SMDJ11CA	BV-5SMDJ11A	11	800	12.2	13.5	1	18.2	275	10/1000	5000	SMC	8.25x6.15x2.95	5D11C	5D11	DC Power							
BV-5 SMDJ12CA	BV-5 SMDJ12A	12	800	13.3	14.7	1	19.9	252	10/1000	5000	SMC	8.25x6.15x2.95	5D12C	5D12	DC Power							
BV-5SMDJ13CA	BV-5SMDJ13A	13	500	14.4	15.9	1	21.5	233	10/1000	5000	SMC	8.25x6.15x2.95	5D13C	5D13	DC Power							
BV-5SMDJ14CA	BV-5SMDJ14A	14	200	15.6	17.2	1	23.2	216	10/1000	5000	SMC	8.25x6.15x2.95	5D14C	5D14	DC Power							
BV-5SMDJ15CA	BV-5SMDJ15A	15	100	16.7	18.5	1	24.4	205	10/1000	5000	SMC	8.25x6.15x2.95	5D15C	5D15	DC Power							
BV-5SMDJ16CA	BV-5SMDJ16A	16	50	17.8	19.7	1	26	193	10/1000	5000	SMC	8.25x6.15x2.95	5D16C	5D16	DC Power							
BV-5SMDJ17CA	BV-5SMDJ17A	17	20	18.9	20.9	1	27.6	181	10/1000	5000	SMC	8.25x6.15x2.95	5D17C	5D17	DC Power							
BV-5SMDJ18CA	BV-5SMDJ18A	18	10	20	22.1	1	29.2	172	10/1000	5000	SMC	8.25x6.15x2.95	5D18C	5D18	DC Power							
BV-5SMDJ20CA	BV-5SMDJ20A	20	5	22.2	24.5	1	32.4	155	10/1000	5000	SMC	8.25x6.15x2.95	5D20C	5D20	DC Power							
BV-5SMDJ22CA	BV-5SMDJ22A	22	5	24.4	26.9	1	35.5	141	10/1000	5000	SMC	8.25x6.15x2.95	5D22C	5D22	DC Power							
BV-5SMDJ24CA	BV-5SMDJ24A	24	2	26.7	29.5	1	38.9	129	10/1000	5000	SMC	8.25x6.15x2.95	5D24C	5D24	DC Power							
BV-5SMDJ26CA	BV-5SMDJ26A	26	2	28.9	31.9	1	42.1	119	10/1000	5000	SMC	8.25x6.15x2.95	5D26C	5D26	DC Power							
BV-5SMDJ28CA	BV-5SMDJ28A	28	2	31.1	34.4	1	45.4	110	10/1000	5000	SMC	8.25x6.15x2.95	5D28C	5D28	DC Power							
BV-5SMDJ30CA	BV-5SMDJ30A	30	2	33.3	36.8	1	48.4	103	10/1000	5000	SMC	8.25x6.15x2.95	5D30C	5D30	DC Power							

产品型号 Part Number		不动作电压 Off state Voltage		击穿电压 Breakdown Voltage			最大钳位电压 Clamp Voltage		测试波形 Surge Waveform (μ s)	峰值功率 P _{PP} (W)	封装 Package	尺寸 Size LxWxH(mm)	印字 Mark		应用 Application	电路符号 Circuit		产品外观 Outline	认证 Certifisate			
双向 BI	单向 UNI	V _{DRM} (V)	I _{DRM} 25°C(μ A) Max	V _{BR} (V)	I _R (mA)	V _C (V) Max	I _{PP} (A)	双向 BI					单向 UNI	双向 BI		单向 UNI	UL497B		UL1449	TUV	CQC	
BV-5SMDJ33CA	BV-5SMDJ33A	33	2	36.7	40.6	1	53.3	93.9	10/1000	5000	SMC	8.25x6.15x2.95	5D33C	5D33	DC Power							
BV-5SMDJ36CA	BV-5SMDJ36A	36	2	40	44.2	1	58.1	86.1	10/1000	5000	SMC	8.25x6.15x2.95	5D36C	5D36	DC Power							
BV-5SMDJ40CA	BV-5SMDJ40A	40	2	44.4	49.1	1	64.5	77.6	10/1000	5000	SMC	8.25x6.15x2.95	5D40C	5D40	DC Power							
BV-5SMDJ43CA	BV-5SMDJ43A	43	2	47.8	52.8	1	69.4	72.1	10/1000	5000	SMC	8.25x6.15x2.95	5D43C	5D43	DC Power							
BV-5SMDJ45CA	BV-5SMDJ45A	45	2	50	55.3	1	72.7	68.8	10/1000	5000	SMC	8.25x6.15x2.95	5D45C	5D45	DC Power							
BV-5SMDJ48CA	BV-5SMDJ48A	48	2	53.3	58.9	1	77.4	64.7	10/1000	5000	SMC	8.25x6.15x2.95	5D48C	5D48	DC Power							
BV-5SMDJ51CA	BV-5SMDJ51A	51	2	56.7	62.7	1	82.4	60.7	10/1000	5000	SMC	8.25x6.15x2.95	5D51C	5D51	DC Power							
BV-5SMDJ54CA	BV-5SMDJ54A	54	2	60	66.3	1	87.1	57.5	10/1000	5000	SMC	8.25x6.15x2.95	5D54C	5D54	DC Power							
BV-5SMDJ58CA	BV-5SMDJ58A	58	2	64.4	71.2	1	93.6	53.5	10/1000	5000	SMC	8.25x6.15x2.95	5D58C	5D58	DC Power							
BV-5SMDJ60CA	BV-5SMDJ60A	60	2	66.7	73.7	1	96.8	51.7	10/1000	5000	SMC	8.25x6.15x2.95	5D60C	5D60	DC Power							
BV-5SMDJ64CA	BV-5SMDJ64A	64	2	71.1	78.6	1	103	48.6	10/1000	5000	SMC	8.25x6.15x2.95	5D64C	5D64	DC Power							
BV-5SMDJ70CA	BV-5SMDJ70A	70	2	77.8	86	1	113	44.3	10/1000	5000	SMC	8.25x6.15x2.95	5D70C	5D70	DC Power							
BV-5SMDJ75CA	BV-5SMDJ75A	75	2	83.3	92.1	1	121	41.4	10/1000	5000	SMC	8.25x6.15x2.95	5D75C	5D75	DC Power							
BV-5SMDJ78CA	BV-5SMDJ78A	78	2	86.7	95.8	1	126	39.7	10/1000	5000	SMC	8.25x6.15x2.95	5D78C	5D78	DC Power							
BV-5SMDJ85CA	BV-5SMDJ85A	85	2	94.4	104	1	137	36.5	10/1000	5000	SMC	8.25x6.15x2.95	5D85C	5D85	DC Power							
BV-5SMDJ90CA	BV-5SMDJ90A	90	2	100	111	1	146	34.3	10/1000	5000	SMC	8.25x6.15x2.95	5D90C	5D90	DC Power							
BV-5SMDJ100CA	BV-5SMDJ100A	100	2	111	123	1	162	30.9	10/1000	5000	SMC	8.25x6.15x2.95	5D100C	5D100	DC Power							
BV-5SMDJ110CA	BV-5SMDJ110A	110	2	122	135	1	177	28.3	10/1000	5000	SMC	8.25x6.15x2.95	5D110C	5D110	DC Power							
BV-5SMDJ120CA	BV-5SMDJ120A	120	2	133	147	1	193	26	10/1000	5000	SMC	8.25x6.15x2.95	5D120C	5D120	DC Power							
BV-5SMDJ130CA	BV-5SMDJ130A	130	2	144	159	1	209	24	10/1000	5000	SMC	8.25x6.15x2.95	5D130C	5D130	DC Power							
BV-5SMDJ150CA	BV-5SMDJ150A	150	2	167	185	1	243	20.6	10/1000	5000	SMC	8.25x6.15x2.95	5D150C	5D150	DC Power							
BV-5SMDJ160CA	BV-5SMDJ160A	160	2	178	197	1	259	19.3	10/1000	5000	SMC	8.25x6.15x2.95	5D160C	5D160	DC Power							
BV-5SMDJ170CA	BV-5SMDJ170A	170	2	189	209	1	275	18.2	10/1000	5000	SMC	8.25x6.15x2.95	5D170C	5D170	DC Power							
BV-D105ZCF	BV-D105ZF	5	800	6.4	7	10	9.2	21.8	10/1000	200	SOD123F	3.7X1.8X1.0	AE	AE	DC Power							
BV-D106ZCF	BV-D106ZF	6	800	6.67	7.37	10	10.3	19.4	10/1000	200	SOD123F	3.7X1.8X1.0	AG	AG	DC Power							
BV-D16.5ZCF	BV-D16.5ZF	6.5	500	7.22	7.98	10	11.2	17.9	10/1000	200	SOD123F	3.7X1.8X1.0	AK	AK	DC Power							
BV-D107ZCF	BV-D107ZF	7	200	7.78	8.6	10	12	16.7	10/1000	200	SOD123F	3.7X1.8X1.0	AM	AM	DC Power							
BV-D17.5ZCF	BV-D17.5ZF	7.5	100	8.33	9.21	1	12.9	15.5	10/1000	200	SOD123F	3.7X1.8X1.0	AP	AP	DC Power							
BV-D108ZCF	BV-D108ZF	8	50	8.89	9.83	1	13.6	14.7	10/1000	200	SOD123F	3.7X1.8X1.0	AR	AR	DC Power							
BV-D18.5ZCF	BV-D18.5ZF	8.5	20	9.44	10.4	1	14.4	13.9	10/1000	200	SOD123F	3.7X1.8X1.0	AT	AT	DC Power							
BV-D109ZCF	BV-D109ZF	9	10	10	11.1	1	15.4	13	10/1000	200	SOD123F	3.7X1.8X1.0	AV	AV	DC Power							
BV-D110ZCF	BV-D110ZF	10	5	11.1	12.3	1	17	11.8	10/1000	200	SOD123F	3.7X1.8X1.0	AX	AX	DC Power							

产品型号 Part Number		不动作电压 Off state Voltage		击穿电压 Breakdown Voltage			最大钳位电压 Clamp Voltage		测试波形 Surge Waveform (μ s)	峰值功率 P _{PP} (W)	封装 Package	尺寸 Size LxWxH(mm)	印字 Mark		应用 Application	电路符号 Circuit		产品外观 Outline	认证 Certifisate			
双向 BI	单向 UNI	V _{DRM} (V)	I _{DRM} 25°C(μ A) Max	V _{BRR} (V)	I _R (mA)	V _C (V) Max	I _{PP} (A)	双向 BI					单向 UNI	双向 BI		单向 UNI	UL497B		UL1449	TUV	CQC	
BV-D111ZCF	BV-D111ZF	11	3	12.2	13.5	1	18.2	11	10/1000	200	SOD123F	3.7X1.8X1.0	AZ	AZ	DC Power			<input type="radio"/>	<input type="radio"/>	<input type="radio"/>	<input type="radio"/>	
BV-D112ZCF	BV-D112ZF	12	1	13.3	14.7	1	19.9	10.1	10/1000	200	SOD123F	3.7X1.8X1.0	BE	BE	DC Power			<input type="radio"/>	<input type="radio"/>	<input type="radio"/>	<input type="radio"/>	
BV-D113ZCF	BV-D113ZF	13	1	14.4	15.9	1	21.5	9.3	10/1000	200	SOD123F	3.7X1.8X1.0	BG	BG	DC Power			<input type="radio"/>	<input type="radio"/>	<input type="radio"/>	<input type="radio"/>	
BV-D114ZCF	BV-D114ZF	14	1	15.6	17.2	1	23.2	8.6	10/1000	200	SOD123F	3.7X1.8X1.0	BK	BK	DC Power			<input type="radio"/>	<input type="radio"/>	<input type="radio"/>	<input type="radio"/>	
BV-D115ZCF	BV-D115ZF	15	1	16.7	18.5	1	24.4	8.2	10/1000	200	SOD123F	3.7X1.8X1.0	BM	BM	DC Power			<input type="radio"/>	<input type="radio"/>	<input type="radio"/>	<input type="radio"/>	
BV-D116ZCF	BV-D116ZF	16	1	17.8	19.7	1	26	7.7	10/1000	200	SOD123F	3.7X1.8X1.0	BP	BP	DC Power			<input type="radio"/>	<input type="radio"/>	<input type="radio"/>	<input type="radio"/>	
BV-D117ZCF	BV-D117ZF	17	1	18.9	20.9	1	27.6	7.3	10/1000	200	SOD123F	3.7X1.8X1.0	BR	BR	DC Power			<input type="radio"/>	<input type="radio"/>	<input type="radio"/>	<input type="radio"/>	
BV-D118ZCF	BV-D118ZF	18	1	20	22.1	1	29.2	6.9	10/1000	200	SOD123F	3.7X1.8X1.0	BT	BT	DC Power			<input type="radio"/>	<input type="radio"/>	<input type="radio"/>	<input type="radio"/>	
BV-D120ZCF	BV-D120ZF	20	1	22.2	24.5	1	32.4	6.2	10/1000	200	SOD123F	3.7X1.8X1.0	BV	BV	DC Power			<input type="radio"/>	<input type="radio"/>	<input type="radio"/>	<input type="radio"/>	
BV-D122ZCF	BV-D122ZF	22	1	24.4	26.9	1	35.5	5.7	10/1000	200	SOD123F	3.7X1.8X1.0	BX	BX	DC Power			<input type="radio"/>	<input type="radio"/>	<input type="radio"/>	<input type="radio"/>	
BV-D124ZCF	BV-D124ZF	24	1	26.7	29.5	1	38.9	5.2	10/1000	200	SOD123F	3.7X1.8X1.0	BZ	BZ	DC Power			<input type="radio"/>	<input type="radio"/>	<input type="radio"/>	<input type="radio"/>	
BV-D126ZCF	BV-D126ZF	26	1	28.9	31.9	1	42.1	4.8	10/1000	200	SOD123F	3.7X1.8X1.0	CE	CE	DC Power			<input type="radio"/>	<input type="radio"/>	<input type="radio"/>	<input type="radio"/>	
BV-D128ZCF	BV-D128ZF	28	1	31.1	34.4	1	45.4	4.4	10/1000	200	SOD123F	3.7X1.8X1.0	CG	CG	DC Power			<input type="radio"/>	<input type="radio"/>	<input type="radio"/>	<input type="radio"/>	
BV-D130ZCF	BV-D130ZF	30	1	33.3	36.8	1	48.4	4.2	10/1000	200	SOD123F	3.7X1.8X1.0	CK	CK	DC Power			<input type="radio"/>	<input type="radio"/>	<input type="radio"/>	<input type="radio"/>	
BV-D133ZCF	BV-D133ZF	33	1	36.7	40.6	1	53.3	3.8	10/1000	200	SOD123F	3.7X1.8X1.0	CM	CM	DC Power			<input type="radio"/>	<input type="radio"/>	<input type="radio"/>	<input type="radio"/>	
BV-D136ZCF	BV-D136ZF	36	1	40	44.2	1	58.1	3.5	10/1000	200	SOD123F	3.7X1.8X1.0	CP	CP	DC Power			<input type="radio"/>	<input type="radio"/>	<input type="radio"/>	<input type="radio"/>	
BV-D140ZCF	BV-D140ZF	40	1	44.4	49.1	1	64.5	3.1	10/1000	200	SOD123F	3.7X1.8X1.0	CR	CR	DC Power			<input type="radio"/>	<input type="radio"/>	<input type="radio"/>	<input type="radio"/>	
BV-D143ZCF	BV-D143ZF	43	1	47.8	52.8	1	69.4	2.9	10/1000	200	SOD123F	3.7X1.8X1.0	CT	CT	DC Power			<input type="radio"/>	<input type="radio"/>	<input type="radio"/>	<input type="radio"/>	
BV-D145ZCF	BV-D145ZF	45	1	50	55.3	1	72.7	2.8	10/1000	200	SOD123F	3.7X1.8X1.0	CV	CV	DC Power			<input type="radio"/>	<input type="radio"/>	<input type="radio"/>	<input type="radio"/>	
BV-D148ZCF	BV-D148ZF	48	1	53.3	58.9	1	77.4	2.6	10/1000	200	SOD123F	3.7X1.8X1.0	CX	CX	DC Power			<input type="radio"/>	<input type="radio"/>	<input type="radio"/>	<input type="radio"/>	
BV-D151ZCF	BV-D151ZF	51	1	56.7	62.7	1	82.4	2.5	10/1000	200	SOD123F	3.7X1.8X1.0	CZ	CZ	DC Power			<input type="radio"/>	<input type="radio"/>	<input type="radio"/>	<input type="radio"/>	
BV-D154ZCF	BV-D154ZF	54	1	60	66.3	1	87.1	2.3	10/1000	200	SOD123F	3.7X1.8X1.0	DE	DE	DC Power			<input type="radio"/>	<input type="radio"/>	<input type="radio"/>	<input type="radio"/>	
BV-D158ZCF	BV-D158ZF	58	1	64.4	71.2	1	93.6	2.3	10/1000	200	SOD123F	3.7X1.8X1.0	DG	DG	DC Power			<input type="radio"/>	<input type="radio"/>	<input type="radio"/>	<input type="radio"/>	
BV-D160ZCF	BV-D160ZF	60	1	66.7	73.7	1	96.8	2.1	10/1000	200	SOD123F	3.7X1.8X1.0	DK	DK	DC Power			<input type="radio"/>	<input type="radio"/>	<input type="radio"/>	<input type="radio"/>	
BV-D164ZCF	BV-D164ZF	64	1	71.1	78.6	1	103	2	10/1000	200	SOD123F	3.7X1.8X1.0	DM	DM	DC Power			<input type="radio"/>	<input type="radio"/>	<input type="radio"/>	<input type="radio"/>	
BV-D170ZCF	BV-D170ZF	70	1	77.8	86	1	113	1.8	10/1000	200	SOD123F	3.7X1.8X1.0	DP	DP	DC Power			<input type="radio"/>	<input type="radio"/>	<input type="radio"/>	<input type="radio"/>	
BV-D175ZCF	BV-D175ZF	75	1	83.3	92.1	1	121	1.7	10/1000	200	SOD123F	3.7X1.8X1.0	DR	DR	DC Power			<input type="radio"/>	<input type="radio"/>	<input type="radio"/>	<input type="radio"/>	
BV-D178ZCF	BV-D178ZF	78	1	86.7	95.8	1	126	1.6	10/1000	200	SOD123F	3.7X1.8X1.0	DT	DT	DC Power			<input type="radio"/>	<input type="radio"/>	<input type="radio"/>	<input type="radio"/>	
BV-D185ZCF	BV-D185ZF	85	1	94.4	104	1	137	1.5	10/1000	200	SOD123F	3.7X1.8X1.0	DV	DV	DC Power			<input type="radio"/>	<input type="radio"/>	<input type="radio"/>	<input type="radio"/>	
BV-D190ZCF	BV-D190ZF	90	1	100	111	1	146	1.4	10/1000	200	SOD123F	3.7X1.8X1.0	DX	DX	DC Power			<input type="radio"/>	<input type="radio"/>	<input type="radio"/>	<input type="radio"/>	
BV-D1100ZCF	BV-D1100ZF	100	1	111	123	1	162	1.3	10/1000	200	SOD123F	3.7X1.8X1.0	DZ	DZ	DC Power			<input type="radio"/>	<input type="radio"/>	<input type="radio"/>	<input type="radio"/>	
BV-D1110ZCF	BV-D1110ZF	110	1	122	135	1	177	1.2	10/1000	200	SOD123F	3.7X1.8X1.0	EE	EE	DC Power			<input type="radio"/>	<input type="radio"/>	<input type="radio"/>	<input type="radio"/>	

产品型号 Part Number		不动作电压 Off state Voltage		击穿电压 Breakdown Voltage			最大钳位电压 Clamp Voltage		测试波形 Surge Waveform (μ s)	峰值功率 P _{PP} (W)	封装 Package	尺寸 Size LxWxH(mm)	印字 Mark		应用 Application	电路符号 Circuit		产品外观 Outline	认证 Certifisate			
双向 BI	单向 UNI	V _{DRM} (V)	I _{DRM} 25°C(μ A) Max	V _{BR} (V)	I _R (mA)	V _C (V) Max	I _{PP} (A)	双向 BI					单向 UNI	双向 BI		单向 UNI	UL497B		UL1449	TUV	CQC	
BV-D1120ZCF	BV-D1120ZF	120	1	133	147	1	193	1.1	10/1000	200	SOD123F	3.7X1.8X1.0	EG	EG	DC Power				<input type="radio"/>	<input type="radio"/>	<input type="radio"/>	<input type="radio"/>
BV-D1130ZCF	BV-D1130ZF	130	1	144	159	1	209	1	10/1000	200	SOD123F	3.7X1.8X1.0	EK	EK	DC Power				<input type="radio"/>	<input type="radio"/>	<input type="radio"/>	<input type="radio"/>
BV-D1150ZCF	BV-D1150ZF	150	1	167	185	1	243	0.8	10/1000	200	SOD123F	3.7X1.8X1.0	EM	EM	DC Power				<input type="radio"/>	<input type="radio"/>	<input type="radio"/>	<input type="radio"/>
BV-D1160ZCF	BV-D1160ZF	160	1	178	197	1	259	0.8	10/1000	200	SOD123F	3.7X1.8X1.0	EP	EP	DC Power				<input type="radio"/>	<input type="radio"/>	<input type="radio"/>	<input type="radio"/>
BV-D1170ZCF	BV-D1170ZF	170	1	189	209	1	275	0.8	10/1000	200	SOD123F	3.7X1.8X1.0	ER	ER	DC Power				<input type="radio"/>	<input type="radio"/>	<input type="radio"/>	<input type="radio"/>
BV-D1220ZCF	BV-D1220ZF	220	1	230	244	1	290	1	10/1000	200	SOD123F	3.7X1.8X1.0	FE	FE	DC Power				<input type="radio"/>	<input type="radio"/>	<input type="radio"/>	<input type="radio"/>
BV-SMAJ5CAQ	BV-SMAJ5AQ	5	800	6.4	7	10	9.2	43.5	10/1000	400	SMA	5.25x2.85x2.5	A5C	A5	DC Power				<input checked="" type="radio"/>	<input type="radio"/>	<input type="radio"/>	<input type="radio"/>
BV-SMAJ6CAQ	BV-SMAJ6AQ	6	800	6.67	7.37	10	10.3	38.8	10/1000	400	SMA	5.25x2.85x2.5	A6C	A6	DC Power				<input checked="" type="radio"/>	<input type="radio"/>	<input type="radio"/>	<input type="radio"/>
BV-SMAJ6.5CAQ	BV-SMAJ6.5AQ	6.5	500	7.22	7.98	10	11.2	35.7	10/1000	400	SMA	5.25x2.85x2.5	A6.5C	A6.5	DC Power				<input checked="" type="radio"/>	<input type="radio"/>	<input type="radio"/>	<input type="radio"/>
BV-SMAJ7CAQ	BV-SMAJ7AQ	7	200	7.78	8.6	10	12	33.3	10/1000	400	SMA	5.25x2.85x2.5	A7C	A7	DC Power				<input checked="" type="radio"/>	<input type="radio"/>	<input type="radio"/>	<input type="radio"/>
BV-SMAJ7.5CAQ	BV-SMAJ7.5AQ	7.5	100	8.33	9.21	1	12.9	31	10/1000	400	SMA	5.25x2.85x2.5	A7.5C	A7.5	DC Power				<input checked="" type="radio"/>	<input type="radio"/>	<input type="radio"/>	<input type="radio"/>
BV-SMAJ8CAQ	BV-SMAJ8AQ	8	50	8.89	9.83	1	13.6	29.4	10/1000	400	SMA	5.25x2.85x2.5	A8C	A8	DC Power				<input checked="" type="radio"/>	<input type="radio"/>	<input type="radio"/>	<input type="radio"/>
BV-SMAJ8.5CAQ	BV-SMAJ8.5AQ	8.5	20	9.44	10.4	1	14.4	27.8	10/1000	400	SMA	5.25x2.85x2.5	A8.5C	A8.5	DC Power				<input checked="" type="radio"/>	<input type="radio"/>	<input type="radio"/>	<input type="radio"/>
BV-SMAJ9CAQ	BV-SMAJ9AQ	9	10	10	11.1	1	15.4	26	10/1000	400	SMA	5.25x2.85x2.5	A9C	A9	DC Power				<input checked="" type="radio"/>	<input type="radio"/>	<input type="radio"/>	<input type="radio"/>
BV-SMAJ10CAQ	BV-SMAJ10AQ	10	5	11.1	12.3	1	17	23.5	10/1000	400	SMA	5.25x2.85x2.5	A10C	A10	DC Power				<input checked="" type="radio"/>	<input type="radio"/>	<input type="radio"/>	<input type="radio"/>
BV-SMAJ11CAQ	BV-SMAJ11AQ	11	1	12.2	13.5	1	18.2	22	10/1000	400	SMA	5.25x2.85x2.5	A11C	A11	DC Power				<input checked="" type="radio"/>	<input type="radio"/>	<input type="radio"/>	<input type="radio"/>
BV-SMAJ12CAQ	BV-SMAJ12AQ	12	1	13.3	14.7	1	19.9	20.1	10/1000	400	SMA	5.25x2.85x2.5	A12C	A12	DC Power				<input checked="" type="radio"/>	<input type="radio"/>	<input type="radio"/>	<input type="radio"/>
BV-SMAJ13CAQ	BV-SMAJ13AQ	13	1	14.4	15.9	1	21.5	18.6	10/1000	400	SMA	5.25x2.85x2.5	A13C	A13	DC Power				<input checked="" type="radio"/>	<input type="radio"/>	<input type="radio"/>	<input type="radio"/>
BV-SMAJ14CAQ	BV-SMAJ14AQ	14	1	15.6	17.2	1	23.2	17.2	10/1000	400	SMA	5.25x2.85x2.5	A14C	A14	DC Power				<input checked="" type="radio"/>	<input type="radio"/>	<input type="radio"/>	<input type="radio"/>
BV-SMAJ15CAQ	BV-SMAJ15AQ	15	1	16.7	18.5	1	24.4	16.4	10/1000	400	SMA	5.25x2.85x2.5	A15C	A15	DC Power				<input checked="" type="radio"/>	<input type="radio"/>	<input type="radio"/>	<input type="radio"/>
BV-SMAJ16CAQ	BV-SMAJ16AQ	16	1	17.8	19.7	1	26	15.4	10/1000	400	SMA	5.25x2.85x2.5	A16C	A16	DC Power				<input checked="" type="radio"/>	<input type="radio"/>	<input type="radio"/>	<input type="radio"/>
BV-SMAJ17CAQ	BV-SMAJ17AQ	17	1	18.9	20.9	1	27.6	14.5	10/1000	400	SMA	5.25x2.85x2.5	A17C	A17	DC Power				<input checked="" type="radio"/>	<input type="radio"/>	<input type="radio"/>	<input type="radio"/>
BV-SMAJ18CAQ	BV-SMAJ18AQ	18	1	20	22.1	1	29.2	13.7	10/1000	400	SMA	5.25x2.85x2.5	A18C	A18	DC Power				<input checked="" type="radio"/>	<input type="radio"/>	<input type="radio"/>	<input type="radio"/>
BV-SMAJ20CAQ	BV-SMAJ20AQ	20	1	22.2	24.5	1	32.4	12.3	10/1000	400	SMA	5.25x2.85x2.5	A20C	A20	DC Power				<input checked="" type="radio"/>	<input type="radio"/>	<input type="radio"/>	<input type="radio"/>
BV-SMAJ22CAQ	BV-SMAJ22AQ	22	1	24.4	26.9	1	35.5	11.3	10/1000	400	SMA	5.25x2.85x2.5	A22C	A22	DC Power				<input checked="" type="radio"/>	<input type="radio"/>	<input type="radio"/>	<input type="radio"/>
BV-SMAJ24CAQ	BV-SMAJ24AQ	24	1	26.7	29.5	1	38.9	10.3	10/1000	400	SMA	5.25x2.85x2.5	A24C	A24	DC Power				<input checked="" type="radio"/>	<input type="radio"/>	<input type="radio"/>	<input type="radio"/>
BV-SMAJ26CAQ	BV-SMAJ26AQ	26	1	28.9	31.9	1	42.1	9.5	10/1000	400	SMA	5.25x2.85x2.5	A26C	A26	DC Power				<input checked="" type="radio"/>	<input type="radio"/>	<input type="radio"/>	<input type="radio"/>
BV-SMAJ28CAQ	BV-SMAJ28AQ	28	1	31.1	34.4	1	45.4	8.8	10/1000	400	SMA	5.25x2.85x2.5	A28C	A28	DC Power				<input checked="" type="radio"/>	<input type="radio"/>	<input type="radio"/>	<input type="radio"/>
BV-SMAJ30CAQ	BV-SMAJ30AQ	30	1	33.3	36.8	1	48.4	8.3	10/1000	400	SMA	5.25x2.85x2.5	A30C	A30	DC Power				<input checked="" type="radio"/>	<input type="radio"/>	<input type="radio"/>	<input type="radio"/>
BV-SMAJ33CAQ	BV-SMAJ33AQ	33	1	36.7	40.6	1	53.3	7.5	10/1000	400	SMA	5.25x2.85x2.5	A33C	A33	DC Power				<input checked="" type="radio"/>	<input type="radio"/>	<input type="radio"/>	<input type="radio"/>
BV-SMAJ36CAQ	BV-SMAJ36AQ	36	1	40	44.2	1	58.1	6.9	10/1000	400	SMA	5.25x2.85x2.5	A36C	A36	DC Power				<input checked="" type="radio"/>	<input type="radio"/>	<input type="radio"/>	<input type="radio"/>
BV-SMAJ40CAQ	BV-SMAJ40AQ	40	1	44.4	49.1	1	64.5	6.2	10/1000	400	SMA	5.25x2.85x2.5	A40C	A40	DC Power				<input checked="" type="radio"/>	<input type="radio"/>	<input type="radio"/>	<input type="radio"/>

产品型号 Part Number		不动作电压 Off state Voltage		击穿电压 Breakdown Voltage			最大钳位电压 Clamp Voltage		测试波形 Surge Waveform (μ s)	峰值功率 P _{PP} (W)	封装 Package	尺寸 Size LxWxH(mm)	印字 Mark		应用 Application	电路符号 Circuit		产品外观 Outline	认证 Certifisate			
双向 BI	单向 UNI	V _{DRM} (V)	I _{DRM} 25°C(μ A) Max	V _{BR} (V)	I _R (mA)	V _C (V) Max	I _{PP} (A)	双向 BI					单向 UNI	双向 BI		单向 UNI	UL497B		UL1449	TUV	CQC	
BV-SMAJ43CAQ	BV-SMAJ43AQ	43	1	47.8	52.8	1	69.4	5.8	10/1000	400	SMA	5.25x2.85x2.5	A43C	A43	DC Power							
BV-SMAJ45CAQ	BV-SMAJ45AQ	45	1	50	55.3	1	72.7	5.5	10/1000	400	SMA	5.25x2.85x2.5	A45C	A45	DC Power							
BV-SMAJ48CAQ	BV-SMAJ48AQ	48	1	53.3	58.9	1	77.4	5.2	10/1000	400	SMA	5.25x2.85x2.5	A48C	A48	DC Power							
BV-SMAJ51CAQ	BV-SMAJ51AQ	51	1	56.7	62.7	1	82.4	4.9	10/1000	400	SMA	5.25x2.85x2.5	A51C	A51	DC Power							
BV-SMAJ54CAQ	BV-SMAJ54AQ	54	1	60	66.3	1	87.1	4.6	10/1000	400	SMA	5.25x2.85x2.5	A54C	A54	DC Power							
BV-SMAJ58CAQ	BV-SMAJ58AQ	58	1	64.4	71.2	1	93.6	4.3	10/1000	400	SMA	5.25x2.85x2.5	A58C	A58	DC Power							
BV-SMAJ60CAQ	BV-SMAJ60AQ	60	1	66.7	73.7	1	96.8	4.1	10/1000	400	SMA	5.25x2.85x2.5	A60C	A60	DC Power							
BV-SMAJ64CAQ	BV-SMAJ64AQ	64	1	71.1	78.6	1	103	3.9	10/1000	400	SMA	5.25x2.85x2.5	A64C	A64	DC Power							
BV-SMAJ70CAQ	BV-SMAJ70AQ	70	1	77.8	86	1	113	3.5	10/1000	400	SMA	5.25x2.85x2.5	A70C	A70	DC Power							
BV-SMAJ75CAQ	BV-SMAJ75AQ	75	1	83.3	92.1	1	121	3.3	10/1000	400	SMA	5.25x2.85x2.5	A75C	A75	DC Power							
BV-SMAJ78CAQ	BV-SMAJ78AQ	78	1	86.7	95.8	1	126	3.2	10/1000	400	SMA	5.25x2.85x2.5	A78C	A78	DC Power							
BV-SMAJ85CAQ	BV-SMAJ85AQ	85	1	94.4	104	1	137	2.9	10/1000	400	SMA	5.25x2.85x2.5	A85C	A85	DC Power							
BV-SMAJ90CAQ	BV-SMAJ90AQ	90	1	100	111	1	146	2.7	10/1000	400	SMA	5.25x2.85x2.5	A90C	A90	DC Power							
BV-SMAJ100CAQ	BV-SMAJ100AQ	100	1	111	123	1	162	2.5	10/1000	400	SMA	5.25x2.85x2.5	A100C	A100	DC Power							
BV-SMAJ110CAQ	BV-SMAJ110AQ	110	1	122	135	1	177	2.3	10/1000	400	SMA	5.25x2.85x2.5	A110C	A110	DC Power							
BV-SMAJ120CAQ	BV-SMAJ120AQ	120	1	133	147	1	193	2.1	10/1000	400	SMA	5.25x2.85x2.5	A120C	A120	DC Power							
BV-SMAJ130CAQ	BV-SMAJ130AQ	130	1	144	159	1	209	1.9	10/1000	400	SMA	5.25x2.85x2.5	A130C	A130	DC Power							
BV-SMAJ150CAQ	BV-SMAJ150AQ	150	1	167	185	1	243	1.6	10/1000	400	SMA	5.25x2.85x2.5	A150C	A150	DC Power							
BV-SMAJ160CAQ	BV-SMAJ160AQ	160	1	178	197	1	259	1.5	10/1000	400	SMA	5.25x2.85x2.5	A160C	A160	DC Power							
BV-SMAJ170CAQ	BV-SMAJ170AQ	170	1	189	209	1	275	1.5	10/1000	400	SMA	5.25x2.85x2.5	A170C	A170	DC Power							
BV-SMAJ180CAQ	BV-SMAJ180AQ	180	1	201	222	1	292	1.4	10/1000	400	SMA	5.25x2.85x2.5	A180C	A180	DC Power							
BV-SMAJ200CAQ	BV-SMAJ200AQ	200	1	224	247	1	324	1.2	10/1000	400	SMA	5.25x2.85x2.5	A200C	A200	DC Power							
BV-SMAJ220CAQ	BV-SMAJ220AQ	220	1	246	272	1	356	1.1	10/1000	400	SMA	5.25x2.85x2.5	A220C	A220	DC Power							
BV-SMAJ250CAQ	BV-SMAJ250AQ	250	1	279	309	1	405	1	10/1000	400	SMA	5.25x2.85x2.5	A250C	A250	DC Power							
BV-SMAJ300CAQ	BV-SMAJ300AQ	300	1	335	371	1	486	0.8	10/1000	400	SMA	5.25x2.85x2.5	A300C	A300	DC Power							
BV-SMAJ350CAQ	BV-SMAJ350AQ	350	1	391	432	1	567	0.7	10/1000	400	SMA	5.25x2.85x2.5	A350C	A350	DC Power							
BV-SMAJ400CAQ	BV-SMAJ400AQ	400	1	447	494	1	648	0.6	10/1000	400	SMA	5.25x2.85x2.5	A400C	A400	DC Power							
BV-SMAJ440CAQ	BV-SMAJ440AQ	440	1	492	543	1	713	0.6	10/1000	400	SMA	5.25x2.85x2.5	A440C	A440	DC Power							
BV-SMBJ5CAQ	BV-SMBJ5AQ	5	800	6.4	7	10	9.2	65.3	10/1000	600	SMB	5.45x3.75x2.6	B5C	B5	DC Power							
BV-SMBJ6CAQ	BV-SMBJ6AQ	6	800	6.67	7.37	10	10.3	58.3	10/1000	600	SMB	5.45x3.75x2.6	B6C	B6	DC Power							
BV-SMBJ6.5CAQ	BV-SMBJ6.5AQ	6.5	500	7.22	7.98	10	11.2	53.6	10/1000	600	SMB	5.45x3.75x2.6	B6.5C	B6.5	DC Power							
BV-SMBJ7CAQ	BV-SMBJ7AQ	7	200	7.78	8.6	10	12	50	10/1000	600	SMB	5.45x3.75x2.6	B7C	B7	DC Power							

产品型号 Part Number		不动作电压 Off state Voltage		击穿电压 Breakdown Voltage			最大钳位电压 Clamp Voltage		测试波形 Surge Waveform (μ s)	峰值功率 P _{PP} (W)	封装 Package	尺寸 Size LxWxH(mm)	印字 Mark		应用 Application	电路符号 Circuit		产品外观 Outline	认证 Certifisate			
双向 BI	单向 UNI	V _{DRM} (V)	I _{DRM} 25°C(μ A) Max	V _{BR} (V)	I _R (mA)	V _C (V) Max	I _{PP} (A)	双向 BI					单向 UNI	双向 BI		单向 UNI	UL497B		UL1449	TUV	CQC	
BV-SMBJ7.5CAQ	BV-SMBJ7.5AQ	7.5	100	8.33	9.21	1	12.9	46.6	10/1000	600	SMB	5.45x3.75x2.6	B7.5C	B7.5	DC Power				<input checked="" type="radio"/>	<input type="radio"/>	<input type="radio"/>	<input type="radio"/>
BV-SMBJ8CAQ	BV-SMBJ8AQ	8	50	8.89	9.83	1	13.6	44.2	10/1000	600	SMB	5.45x3.75x2.6	B8C	B8	DC Power				<input checked="" type="radio"/>	<input type="radio"/>	<input type="radio"/>	<input type="radio"/>
BV-SMBJ8.5CAQ	BV-SMBJ8.5AQ	8.5	20	9.44	10.4	1	14.4	41.7	10/1000	600	SMB	5.45x3.75x2.6	B8.5C	B8.5	DC Power				<input checked="" type="radio"/>	<input type="radio"/>	<input type="radio"/>	<input type="radio"/>
BV-SMBJ9CAQ	BV-SMBJ9AQ	9	10	10	11.1	1	15.4	39	10/1000	600	SMB	5.45x3.75x2.6	B9C	B9	DC Power				<input checked="" type="radio"/>	<input type="radio"/>	<input type="radio"/>	<input type="radio"/>
BV-SMBJ10CAQ	BV-SMBJ10AQ	10	5	11.1	12.3	1	17	35.3	10/1000	600	SMB	5.45x3.75x2.6	B10C	B10	DC Power				<input checked="" type="radio"/>	<input type="radio"/>	<input type="radio"/>	<input type="radio"/>
BV-SMBJ11CAQ	BV-SMBJ11AQ	11	1	12.2	13.5	1	18.2	33	10/1000	600	SMB	5.45x3.75x2.6	B11C	B11	DC Power				<input checked="" type="radio"/>	<input type="radio"/>	<input type="radio"/>	<input type="radio"/>
BV-SMBJ12CAQ	BV-SMBJ12AQ	12	1	13.3	14.7	1	19.9	30.2	10/1000	600	SMB	5.45x3.75x2.6	B12C	B12	DC Power				<input checked="" type="radio"/>	<input type="radio"/>	<input type="radio"/>	<input type="radio"/>
BV-SMBJ13CAQ	BV-SMBJ13AQ	13	1	14.4	15.9	1	21.5	28	10/1000	600	SMB	5.45x3.75x2.6	B13C	B13	DC Power				<input checked="" type="radio"/>	<input type="radio"/>	<input type="radio"/>	<input type="radio"/>
BV-SMBJ14CAQ	BV-SMBJ14AQ	14	1	15.6	17.2	1	23.2	25.9	10/1000	600	SMB	5.45x3.75x2.6	B14C	B14	DC Power				<input checked="" type="radio"/>	<input type="radio"/>	<input type="radio"/>	<input type="radio"/>
BV-SMBJ15CAQ	BV-SMBJ15AQ	15	1	16.7	18.5	1	24.4	24.6	10/1000	600	SMB	5.45x3.75x2.6	B15C	B15	DC Power				<input checked="" type="radio"/>	<input type="radio"/>	<input type="radio"/>	<input type="radio"/>
BV-SMBJ16CAQ	BV-SMBJ16AQ	16	1	17.8	19.7	1	26	23.1	10/1000	600	SMB	5.45x3.75x2.6	B16C	B16	DC Power				<input checked="" type="radio"/>	<input type="radio"/>	<input type="radio"/>	<input type="radio"/>
BV-SMBJ17CAQ	BV-SMBJ17AQ	17	1	18.9	20.9	1	27.6	21.8	10/1000	600	SMB	5.45x3.75x2.6	B17C	B17	DC Power				<input checked="" type="radio"/>	<input type="radio"/>	<input type="radio"/>	<input type="radio"/>
BV-SMBJ18CAQ	BV-SMBJ18AQ	18	1	20	22.1	1	29.2	20.6	10/1000	600	SMB	5.45x3.75x2.6	B18C	B18	DC Power				<input checked="" type="radio"/>	<input type="radio"/>	<input type="radio"/>	<input type="radio"/>
BV-SMBJ20CAQ	BV-SMBJ20AQ	20	1	22.2	24.5	1	32.4	18.6	10/1000	600	SMB	5.45x3.75x2.6	B20C	B20	DC Power				<input checked="" type="radio"/>	<input type="radio"/>	<input type="radio"/>	<input type="radio"/>
BV-SMBJ22CAQ	BV-SMBJ22AQ	22	1	24.4	26.9	1	35.5	16.9	10/1000	600	SMB	5.45x3.75x2.6	B22C	B22	DC Power				<input checked="" type="radio"/>	<input type="radio"/>	<input type="radio"/>	<input type="radio"/>
BV-SMBJ24CAQ	BV-SMBJ24AQ	24	1	26.7	29.5	1	38.9	15.5	10/1000	600	SMB	5.45x3.75x2.6	B24C	B24	DC Power				<input checked="" type="radio"/>	<input type="radio"/>	<input type="radio"/>	<input type="radio"/>
BV-SMBJ26CAQ	BV-SMBJ26AQ	26	1	28.9	31.9	1	42.1	14.3	10/1000	600	SMB	5.45x3.75x2.6	B26C	B26	DC Power				<input checked="" type="radio"/>	<input type="radio"/>	<input type="radio"/>	<input type="radio"/>
BV-SMBJ28CAQ	BV-SMBJ28AQ	28	1	31.1	34.4	1	45.4	13.3	10/1000	600	SMB	5.45x3.75x2.6	B28C	B28	DC Power				<input checked="" type="radio"/>	<input type="radio"/>	<input type="radio"/>	<input type="radio"/>
BV-SMBJ30CAQ	BV-SMBJ30AQ	30	1	33.3	36.8	1	48.4	12.4	10/1000	600	SMB	5.45x3.75x2.6	B30C	B30	DC Power				<input checked="" type="radio"/>	<input type="radio"/>	<input type="radio"/>	<input type="radio"/>
BV-SMBJ33CAQ	BV-SMBJ33AQ	33	1	36.7	40.6	1	53.3	11.3	10/1000	600	SMB	5.45x3.75x2.6	B33C	B33	DC Power				<input checked="" type="radio"/>	<input type="radio"/>	<input type="radio"/>	<input type="radio"/>
BV-SMBJ36CAQ	BV-SMBJ36AQ	36	1	40	44.2	1	58.1	10.4	10/1000	600	SMB	5.45x3.75x2.6	B36C	B36	DC Power				<input checked="" type="radio"/>	<input type="radio"/>	<input type="radio"/>	<input type="radio"/>
BV-SMBJ40CAQ	BV-SMBJ40AQ	40	1	44.4	49.1	1	64.5	9.3	10/1000	600	SMB	5.45x3.75x2.6	B40C	B40	DC Power				<input checked="" type="radio"/>	<input type="radio"/>	<input type="radio"/>	<input type="radio"/>
BV-SMBJ43CAQ	BV-SMBJ43AQ	43	1	47.8	52.8	1	69.4	8.7	10/1000	600	SMB	5.45x3.75x2.6	B43C	B43	DC Power				<input checked="" type="radio"/>	<input type="radio"/>	<input type="radio"/>	<input type="radio"/>
BV-SMBJ45CAQ	BV-SMBJ45AQ	45	1	50	55.3	1	72.7	8.3	10/1000	600	SMB	5.45x3.75x2.6	B45C	B45	DC Power				<input checked="" type="radio"/>	<input type="radio"/>	<input type="radio"/>	<input type="radio"/>
BV-SMBJ48CAQ	BV-SMBJ48AQ	48	1	53.3	58.9	1	77.4	7.8	10/1000	600	SMB	5.45x3.75x2.6	B48C	B48	DC Power				<input checked="" type="radio"/>	<input type="radio"/>	<input type="radio"/>	<input type="radio"/>
BV-SMBJ51CAQ	BV-SMBJ51AQ	51	1	56.7	62.7	1	82.4	7.3	10/1000	600	SMB	5.45x3.75x2.6	B51C	B51	DC Power				<input checked="" type="radio"/>	<input type="radio"/>	<input type="radio"/>	<input type="radio"/>
BV-SMBJ54CAQ	BV-SMBJ54AQ	54	1	60	66.3	1	87.1	6.9	10/1000	600	SMB	5.45x3.75x2.6	B54C	B54	DC Power				<input checked="" type="radio"/>	<input type="radio"/>	<input type="radio"/>	<input type="radio"/>
BV-SMBJ58CAQ	BV-SMBJ58AQ	58	1	64.4	71.2	1	93.6	6.5	10/1000	600	SMB	5.45x3.75x2.6	B58C	B58	DC Power				<input checked="" type="radio"/>	<input type="radio"/>	<input type="radio"/>	<input type="radio"/>
BV-SMBJ60CAQ	BV-SMBJ60AQ	60	1	66.7	73.7	1	96.8	6.2	10/1000	600	SMB	5.45x3.75x2.6	B60C	B60	DC Power				<input checked="" type="radio"/>	<input type="radio"/>	<input type="radio"/>	<input type="radio"/>
BV-SMBJ64CAQ	BV-SMBJ64AQ	64	1	71.1	78.6	1	103	5.9	10/1000	600	SMB	5.45x3.75x2.6	B64C	B64	DC Power				<input checked="" type="radio"/>	<input type="radio"/>	<input type="radio"/>	<input type="radio"/>
BV-SMBJ70CAQ	BV-SMBJ70AQ	70	1	77.8	86	1	113	5.3	10/1000	600	SMB	5.45x3.75x2.6	B70C	B70	DC Power				<input checked="" type="radio"/>	<input type="radio"/>	<input type="radio"/>	<input type="radio"/>
BV-SMBJ75CAQ	BV-SMBJ75AQ	75	1	83.3	92.1	1	121	5	10/1000	600	SMB	5.45x3.75x2.6	B75C	B75	DC Power				<input checked="" type="radio"/>	<input type="radio"/>	<input type="radio"/>	<input type="radio"/>

产品型号 Part Number		不动作电压 Off state Voltage		击穿电压 Breakdown Voltage			最大钳位电压 Clamp Voltage		测试波形 Surge Waveform (μ s)	峰值功率 P _{PP} (W)	封装 Package	尺寸 Size LxWxH(mm)	印字 Mark		应用 Application	电路符号 Circuit		产品外观 Outline	认证 Certifisate			
双向 BI	单向 UNI	V _{DRM} (V)	I _{DRM} 25°C(μ A) Max	V _{BR} (V)	I _R (mA)	V _C (V) Max	I _{PP} (A)	双向 BI					单向 UNI	双向 BI		单向 UNI	UL497B		UL1449	TUV	CQC	
BV-SMBJ78CAQ	BV-SMBJ78AQ	78	1	86.7	95.8	1	126	4.8	10/1000	600	SMB	5.45x3.75x2.6	B78C	B78	DC Power							
BV-SMBJ85CAQ	BV-SMBJ85AQ	85	1	94.4	104	1	137	4.4	10/1000	600	SMB	5.45x3.75x2.6	B85C	B85	DC Power							
BV-SMBJ90CAQ	BV-SMBJ90AQ	90	1	100	111	1	146	4.1	10/1000	600	SMB	5.45x3.75x2.6	B90C	B90	DC Power							
BV-SMBJ100CAQ	BV-SMBJ100AQ	100	1	111	123	1	162	3.7	10/1000	600	SMB	5.45x3.75x2.6	B100C	B100	DC Power							
BV-SMBJ110CAQ	BV-SMBJ110AQ	110	1	122	135	1	177	3.4	10/1000	600	SMB	5.45x3.75x2.6	B110C	B110	DC Power							
BV-SMBJ120CAQ	BV-SMBJ120AQ	120	1	133	147	1	193	3.1	10/1000	600	SMB	5.45x3.75x2.6	B120C	B120	DC Power							
BV-SMBJ130CAQ	BV-SMBJ130AQ	130	1	144	159	1	209	2.9	10/1000	600	SMB	5.45x3.75x2.6	B130C	B130	DC Power							
BV-SMBJ150CAQ	BV-SMBJ150AQ	150	1	167	185	1	243	2.5	10/1000	600	SMB	5.45x3.75x2.6	B150C	B150	DC Power							
BV-SMBJ160CAQ	BV-SMBJ160AQ	160	1	178	197	1	259	2.3	10/1000	600	SMB	5.45x3.75x2.6	B160C	B160	DC Power							
BV-SMBJ170CAQ	BV-SMBJ170AQ	170	1	189	209	1	275	2.2	10/1000	600	SMB	5.45x3.75x2.6	B170C	B170	DC Power							
BV-SMBJ180CAQ	BV-SMBJ180AQ	180	1	201	222	1	292	2.1	10/1000	600	SMB	5.45x3.75x2.6	B180C	B180	DC Power							
BV-SMBJ188CAQ	BV-SMBJ188AQ	188	1	209	231	1	304	2	10/1000	600	SMB	5.45x3.75x2.6	B188C	B188	DC Power							
BV-SMBJ200CAQ	BV-SMBJ200AQ	200	1	224	247	1	324	1.9	10/1000	600	SMB	5.45x3.75x2.6	B200C	B200	DC Power							
BV-SMBJ220CAQ	BV-SMBJ220AQ	220	1	246	272	1	356	1.7	10/1000	600	SMB	5.45x3.75x2.6	B220C	B220	DC Power							
BV-SMBJ250CAQ	BV-SMBJ250AQ	250	1	279	309	1	405	1.5	10/1000	600	SMB	5.45x3.75x2.6	B250C	B250	DC Power							
BV-SMBJ300CAQ	BV-SMBJ300AQ	300	1	335	371	1	486	1.3	10/1000	600	SMB	5.45x3.75x2.6	B300C	B300	DC Power							
BV-SMBJ350CAQ	BV-SMBJ350AQ	350	1	391	432	1	567	1.1	10/1000	600	SMB	5.45x3.75x2.6	B350C	B350	DC Power							
BV-SMBJ400CAQ	BV-SMBJ400AQ	400	1	447	494	1	648	0.9	10/1000	600	SMB	5.45x3.75x2.6	B400C	B400	DC Power							
BV-SMBJ440CAQ	BV-SMBJ440AQ	440	1	492	543	1	713	0.9	10/1000	600	SMB	5.45x3.75x2.6	B440C	B440	DC Power							
BV-SMBJ480CAQ	BV-SMBJ480AQ	480	1	536	593	1	750	0.8	10/1000	600	SMB	5.45x3.75x2.6	B480C	B480	DC Power							
BV-SMCJ5CAQ	BV-SMCJ5AQ	5	800	6.4	7	10	9.2	163.0	10/1000	1500	SMC	8.25x6.15x2.95	C5C	C5	DC Power							
BV-SMCJ6CAQ	BV-SMCJ6AQ	6	800	6.67	7.37	10	10.3	145.7	10/1000	1500	SMC	8.25x6.15x2.95	C6C	C6	DC Power							
BV-SMCJ6.5CAQ	BV-SMCJ6.5AQ	6.5	500	7.22	7.98	10	11.2	134.0	10/1000	1500	SMC	8.25x6.15x2.95	C6.5C	C6.5	DC Power							
BV-SMCJ7CAQ	BV-SMCJ7AQ	7	200	7.78	8.6	10	12	125.0	10/1000	1500	SMC	8.25x6.15x2.95	C7C	C7	DC Power							
BV-SMCJ7.5CAQ	BV-SMCJ7.5AQ	7.5	100	8.33	9.21	1	12.9	116.3	10/1000	1500	SMC	8.25x6.15x2.95	C7.5C	C7.5	DC Power							
BV-SMCJ8CAQ	BV-SMCJ8AQ	8	50	8.89	9.83	1	13.6	110.3	10/1000	1500	SMC	8.25x6.15x2.95	C8C	C8	DC Power							
BV-SMCJ8.5CAQ	BV-SMCJ8.5AQ	8.5	20	9.44	10.4	1	14.4	104.2	10/1000	1500	SMC	8.25x6.15x2.95	C8.5C	C8.5	DC Power							
BV-SMCJ9CAQ	BV-SMCJ9AQ	9	10	10	11.1	1	15.4	97.4	10/1000	1500	SMC	8.25x6.15x2.95	C9C	C9	DC Power							
BV-SMCJ10CAQ	BV-SMCJ10AQ	10	5	11.1	12.3	1	17	88.3	10/1000	1500	SMC	8.25x6.15x2.95	C10C	C10	DC Power							
BV-SMCJ11CAQ	BV-SMCJ11AQ	11	1	12.2	13.5	1	18.2	82.5	10/1000	1500	SMC	8.25x6.15x2.95	C11C	C11	DC Power							
BV-SMCJ12CAQ	BV-SMCJ12AQ	12	1	13.3	14.7	1	19.9	75.4	10/1000	1500	SMC	8.25x6.15x2.95	C12C	C12	DC Power							
BV-SMCJ13CAQ	BV-SMCJ13AQ	13	1	14.4	15.9	1	21.5	69.8	10/1000	1500	SMC	8.25x6.15x2.95	C13C	C13	DC Power							

产品型号 Part Number		不动作电压 Off state Voltage		击穿电压 Breakdown Voltage			最大钳位电压 Clamp Voltage		测试波形 Surge Waveform (μ s)	峰值功率 P _{PP} (W)	封装 Package	尺寸 Size LxWxH(mm)	印字 Mark		应用 Application	电路符号 Circuit		产品外观 Outline	认证 Certifisate			
双向 BI	单向 UNI	V _{DRM} (V)	I _{DRM} 25°C(μ A) Max	V _{BR} (V)	I _R (mA)	V _C (V) Max	I _{PP} (A)	双向 BI					单向 UNI	双向 BI		单向 UNI	UL497B		UL1449	TUV	CQC	
BV-SMCJ14CAQ	BV-SMCJ14AQ	14	1	15.6	17.2	1	23.2	64.7	10/1000	1500	SMC	8.25x6.15x2.95	C14C	C14	DC Power							
BV-SMCJ15CAQ	BV-SMCJ15AQ	15	1	16.7	18.5	1	24.4	61.5	10/1000	1500	SMC	8.25x6.15x2.95	C15C	C15	DC Power							
BV-SMCJ16CAQ	BV-SMCJ16AQ	16	1	17.8	19.7	1	26	57.7	10/1000	1500	SMC	8.25x6.15x2.95	C16C	C16	DC Power							
BV-SMCJ17CAQ	BV-SMCJ17AQ	17	1	18.9	20.9	1	27.6	54.4	10/1000	1500	SMC	8.25x6.15x2.95	C17C	C17	DC Power							
BV-SMCJ18CAQ	BV-SMCJ18AQ	18	1	20	22.1	1	29.2	51.4	10/1000	1500	SMC	8.25x6.15x2.95	C18C	C18	DC Power							
BV-SMCJ20CAQ	BV-SMCJ20AQ	20	1	22.2	24.5	1	32.4	46.3	10/1000	1500	SMC	8.25x6.15x2.95	C20C	C20	DC Power							
BV-SMCJ22CAQ	BV-SMCJ22AQ	22	1	24.4	26.9	1	35.5	42.3	10/1000	1500	SMC	8.25x6.15x2.95	C22C	C22	DC Power							
BV-SMCJ24CAQ	BV-SMCJ24AQ	24	1	26.7	29.5	1	38.9	38.6	10/1000	1500	SMC	8.25x6.15x2.95	C24C	C24	DC Power							
BV-SMCJ26CAQ	BV-SMCJ26AQ	26	1	28.9	31.9	1	42.1	35.7	10/1000	1500	SMC	8.25x6.15x2.95	C26C	C26	DC Power							
BV-SMCJ28CAQ	BV-SMCJ28AQ	28	1	31.1	34.4	1	45.4	33.1	10/1000	1500	SMC	8.25x6.15x2.95	C28C	C28	DC Power							
BV-SMCJ30CAQ	BV-SMCJ30AQ	30	1	33.3	36.8	1	48.4	31.0	10/1000	1500	SMC	8.25x6.15x2.95	C30C	C30	DC Power							
BV-SMCJ33CAQ	BV-SMCJ33AQ	33	1	36.7	40.6	1	53.3	28.2	10/1000	1500	SMC	8.25x6.15x2.95	C33C	C33	DC Power							
BV-SMCJ36CAQ	BV-SMCJ36AQ	36	1	40	44.2	1	58.1	25.9	10/1000	1500	SMC	8.25x6.15x2.95	C36C	C36	DC Power							
BV-SMCJ40CAQ	BV-SMCJ40AQ	40	1	44.4	49.1	1	64.5	23.3	10/1000	1500	SMC	8.25x6.15x2.95	C40C	C40	DC Power							
BV-SMCJ43CAQ	BV-SMCJ43AQ	43	1	47.8	52.8	1	69.4	21.7	10/1000	1500	SMC	8.25x6.15x2.95	C43C	C43	DC Power							
BV-SMCJ45CAQ	BV-SMCJ45AQ	45	1	50	55.3	1	72.7	20.6	10/1000	1500	SMC	8.25x6.15x2.95	C45C	C45	DC Power							
BV-SMCJ48CAQ	BV-SMCJ48AQ	48	1	53.3	58.9	1	77.4	19.4	10/1000	1500	SMC	8.25x6.15x2.95	C48C	C48	DC Power							
BV-SMCJ51CAQ	BV-SMCJ51AQ	51	1	56.7	62.7	1	82.4	18.2	10/1000	1500	SMC	8.25x6.15x2.95	C51C	C51	DC Power							
BV-SMCJ54CAQ	BV-SMCJ54AQ	54	1	60	66.3	1	87.1	17.3	10/1000	1500	SMC	8.25x6.15x2.95	C54C	C54	DC Power							
BV-SMCJ58CAQ	BV-SMCJ58AQ	58	1	64.4	71.2	1	93.6	16.1	10/1000	1500	SMC	8.25x6.15x2.95	C58C	C58	DC Power							
BV-SMCJ60CAQ	BV-SMCJ60AQ	60	1	66.7	73.7	1	96.8	15.5	10/1000	1500	SMC	8.25x6.15x2.95	C60C	C60	DC Power							
BV-SMCJ64CAQ	BV-SMCJ64AQ	64	1	71.1	78.6	1	103	14.6	10/1000	1500	SMC	8.25x6.15x2.95	C64C	C64	DC Power							
BV-SMCJ70CAQ	BV-SMCJ70AQ	70	1	77.8	86	1	113	13.3	10/1000	1500	SMC	8.25x6.15x2.95	C70C	C70	DC Power							
BV-SMCJ75CAQ	BV-SMCJ75AQ	75	1	83.3	92.1	1	121	12.4	10/1000	1500	SMC	8.25x6.15x2.95	C75C	C75	DC Power							
BV-SMCJ78CAQ	BV-SMCJ78AQ	78	1	86.7	95.8	1	126	11.9	10/1000	1500	SMC	8.25x6.15x2.95	C78C	C78	DC Power							
BV-SMCJ85CAQ	BV-SMCJ85AQ	85	1	94.4	104	1	137	11.0	10/1000	1500	SMC	8.25x6.15x2.95	C85C	C85	DC Power							
BV-SMCJ90CAQ	BV-SMCJ90AQ	90	1	100	111	1	146	10.3	10/1000	1500	SMC	8.25x6.15x2.95	C90C	C90	DC Power							
BV-SMCJ100CAQ	BV-SMCJ100AQ	100	1	111	123	1	162	9.3	10/1000	1500	SMC	8.25x6.15x2.95	C100C	C100	DC Power							
BV-SMCJ110CAQ	BV-SMCJ110AQ	110	1	122	135	1	177	8.5	10/1000	1500	SMC	8.25x6.15x2.95	C110C	C110	DC Power							
BV-SMCJ120CAQ	BV-SMCJ120AQ	120	1	133	147	1	193	7.8	10/1000	1500	SMC	8.25x6.15x2.95	C120C	C120C	DC Power							
BV-SMCJ130CAQ	BV-SMCJ130AQ	130	1	144	159	1	209	7.2	10/1000	1500	SMC	8.25x6.15x2.95	C130C	C130C	DC Power							
BV-SMCJ150CAQ	BV-SMCJ150AQ	150	1	167	185	1	243	6.2	10/1000	1500	SMC	8.25x6.15x2.95	C150C	C150C	DC Power							

产品型号 Part Number		不动作电压 Off state Voltage		击穿电压 Breakdown Voltage			最大钳位电压 Clamp Voltage		测试波形 Surge Waveform (μ s)	峰值功率 P _{PP} (W)	封装 Package	尺寸 Size LxWxH(mm)	印字 Mark		应用 Application	电路符号 Circuit		产品外观 Outline	认证 Certifisate			
双向 BI	单向 UNI	V _{DRM} (V)	I _{DRM} 25°C(μ A) Max	V _{BR} (V)	I _R (mA)	V _C (V) Max	I _{PP} (A)	双向 BI					单向 UNI	双向 BI		单向 UNI	UL497B		UL1449	TUV	CQC	
BV-SMCJ160CAQ	BV-SMCJ160AQ	160	1	178	197	1	259	5.8	10/1000	1500	SMC	8.25x6.15x2.95	C160C	C160C	DC Power				<input checked="" type="checkbox"/>	<input type="checkbox"/>	<input type="checkbox"/>	<input type="checkbox"/>
BV-SMCJ170CAQ	BV-SMCJ170AQ	170	1	189	209	1	275	5.5	10/1000	1500	SMC	8.25x6.15x2.95	C170C	C170C	DC Power				<input checked="" type="checkbox"/>	<input type="checkbox"/>	<input type="checkbox"/>	<input type="checkbox"/>
BV-SMCJ180CAQ	BV-SMCJ180AQ	180	1	201	222	1	292	5.1	10/1000	1500	SMC	8.25x6.15x2.95	C180C	C180C	DC Power				<input type="checkbox"/>	<input type="checkbox"/>	<input type="checkbox"/>	<input type="checkbox"/>
BV-SMCJ200CAQ	BV-SMCJ200AQ	200	1	224	247	1	324	4.6	10/1000	1500	SMC	8.25x6.15x2.95	C200C	C200C	DC Power				<input type="checkbox"/>	<input type="checkbox"/>	<input type="checkbox"/>	<input type="checkbox"/>
BV-SMCJ220CAQ	BV-SMCJ220AQ	220	1	246	272	1	356	4.2	10/1000	1500	SMC	8.25x6.15x2.95	C220C	C220C	DC Power				<input type="checkbox"/>	<input type="checkbox"/>	<input type="checkbox"/>	<input type="checkbox"/>
BV-SMCJ250CAQ	BV-SMCJ250AQ	250	1	279	309	1	405	3.7	10/1000	1500	SMC	8.25x6.15x2.95	C250C	C250C	DC Power				<input type="checkbox"/>	<input type="checkbox"/>	<input type="checkbox"/>	<input type="checkbox"/>
BV-SMCJ300CAQ	BV-SMCJ300AQ	300	1	335	371	1	486	3.1	10/1000	1500	SMC	8.25x6.15x2.95	C300C	C300C	DC Power				<input type="checkbox"/>	<input type="checkbox"/>	<input type="checkbox"/>	<input type="checkbox"/>
BV-SMCJ350CAQ	BV-SMCJ350AQ	350	1	391	432	1	567	2.6	10/1000	1500	SMC	8.25x6.15x2.95	C350C	C350C	DC Power				<input type="checkbox"/>	<input type="checkbox"/>	<input type="checkbox"/>	<input type="checkbox"/>
BV-SMCJ400CAQ	BV-SMCJ400AQ	400	1	447	494	1	648	2.3	10/1000	1500	SMC	8.25x6.15x2.95	C400C	C400C	DC Power				<input type="checkbox"/>	<input type="checkbox"/>	<input type="checkbox"/>	<input type="checkbox"/>
BV-SMCJ440CAQ	BV-SMCJ440AQ	440	1	492	543	1	713	2.1	10/1000	1500	SMC	8.25x6.15x2.95	C440C	C440C	DC Power				<input type="checkbox"/>	<input type="checkbox"/>	<input type="checkbox"/>	<input type="checkbox"/>
BV-SMDJ5CAQ	BV-SMDJ5AQ	5	800	6.4	7	10	9.2	326.1	10/1000	3000	SMC	8.25x6.15x2.95	D5C	D5	DC Power				<input checked="" type="checkbox"/>	<input type="checkbox"/>	<input type="checkbox"/>	<input type="checkbox"/>
BV-SMDJ6CAQ	BV-SMDJ6AQ	6	800	6.67	7.37	10	10.3	291.3	10/1000	3000	SMC	8.25x6.15x2.95	D6C	D6	DC Power				<input checked="" type="checkbox"/>	<input type="checkbox"/>	<input type="checkbox"/>	<input type="checkbox"/>
BV-SMDJ6.5CAQ	BV-SMDJ6.5AQ	6.5	500	7.22	7.98	10	11.2	267.9	10/1000	3000	SMC	8.25x6.15x2.95	D6.5C	D6.5	DC Power				<input checked="" type="checkbox"/>	<input type="checkbox"/>	<input type="checkbox"/>	<input type="checkbox"/>
BV-SMDJ7CAQ	BV-SMDJ7AQ	7	200	7.78	8.6	10	12	250.0	10/1000	3000	SMC	8.25x6.15x2.95	D7C	D7	DC Power				<input checked="" type="checkbox"/>	<input type="checkbox"/>	<input type="checkbox"/>	<input type="checkbox"/>
BV-SMDJ7.5CAQ	BV-SMDJ7.5AQ	7.5	100	8.33	9.21	1	12.9	232.6	10/1000	3000	SMC	8.25x6.15x2.95	D7.5C	D7.5	DC Power				<input checked="" type="checkbox"/>	<input type="checkbox"/>	<input type="checkbox"/>	<input type="checkbox"/>
BV-SMDJ8CAQ	BV-SMDJ8AQ	8	50	8.89	9.83	1	13.6	220.6	10/1000	3000	SMC	8.25x6.15x2.95	D8C	D8	DC Power				<input checked="" type="checkbox"/>	<input type="checkbox"/>	<input type="checkbox"/>	<input type="checkbox"/>
BV-SMDJ8.5CAQ	BV-SMDJ8.5AQ	8.5	20	9.44	10.4	1	14.4	208.3	10/1000	3000	SMC	8.25x6.15x2.95	D8.5C	D8.5	DC Power				<input checked="" type="checkbox"/>	<input type="checkbox"/>	<input type="checkbox"/>	<input type="checkbox"/>
BV-SMDJ9CAQ	BV-SMDJ9AQ	9	10	10	11.1	1	15.4	194.8	10/1000	3000	SMC	8.25x6.15x2.95	D9C	D9	DC Power				<input checked="" type="checkbox"/>	<input type="checkbox"/>	<input type="checkbox"/>	<input type="checkbox"/>
BV-SMDJ10CAQ	BV-SMDJ10AQ	10	5	11.1	12.3	1	17	176.5	10/1000	3000	SMC	8.25x6.15x2.95	D10C	D10	DC Power				<input checked="" type="checkbox"/>	<input type="checkbox"/>	<input type="checkbox"/>	<input type="checkbox"/>
BV-SMDJ11CAQ	BV-SMDJ11AQ	11	1	12.2	13.5	1	18.2	164.8	10/1000	3000	SMC	8.25x6.15x2.95	D11C	D11	DC Power				<input checked="" type="checkbox"/>	<input type="checkbox"/>	<input type="checkbox"/>	<input type="checkbox"/>
BV-SMDJ12CAQ	BV-SMDJ12AQ	12	1	13.3	14.7	1	19.9	150.8	10/1000	3000	SMC	8.25x6.15x2.95	D12C	D12	DC Power				<input checked="" type="checkbox"/>	<input type="checkbox"/>	<input type="checkbox"/>	<input type="checkbox"/>
BV-SMDJ13CAQ	BV-SMDJ13AQ	13	1	14.4	15.9	1	21.5	139.5	10/1000	3000	SMC	8.25x6.15x2.95	D13C	D13	DC Power				<input checked="" type="checkbox"/>	<input type="checkbox"/>	<input type="checkbox"/>	<input type="checkbox"/>
BV-SMDJ14CAQ	BV-SMDJ14AQ	14	1	15.6	17.2	1	23.2	129.3	10/1000	3000	SMC	8.25x6.15x2.95	D14C	D14	DC Power				<input checked="" type="checkbox"/>	<input type="checkbox"/>	<input type="checkbox"/>	<input type="checkbox"/>
BV-SMDJ15CAQ	BV-SMDJ15AQ	15	1	16.7	18.5	1	24.4	123.0	10/1000	3000	SMC	8.25x6.15x2.95	D15C	D15	DC Power				<input checked="" type="checkbox"/>	<input type="checkbox"/>	<input type="checkbox"/>	<input type="checkbox"/>
BV-SMDJ16CAQ	BV-SMDJ16AQ	16	1	17.8	19.7	1	26	115.4	10/1000	3000	SMC	8.25x6.15x2.95	D16C	D16	DC Power				<input checked="" type="checkbox"/>	<input type="checkbox"/>	<input type="checkbox"/>	<input type="checkbox"/>
BV-SMDJ17CAQ	BV-SMDJ17AQ	17	1	18.9	20.9	1	27.6	108.7	10/1000	3000	SMC	8.25x6.15x2.95	D17C	D17	DC Power				<input checked="" type="checkbox"/>	<input type="checkbox"/>	<input type="checkbox"/>	<input type="checkbox"/>
BV-SMDJ18CAQ	BV-SMDJ18AQ	18	1	20	22.1	1	29.2	102.7	10/1000	3000	SMC	8.25x6.15x2.95	D18C	D18	DC Power				<input checked="" type="checkbox"/>	<input type="checkbox"/>	<input type="checkbox"/>	<input type="checkbox"/>
BV-SMDJ20CAQ	BV-SMDJ20AQ	20	1	22.2	24.5	1	32.4	92.6	10/1000	3000	SMC	8.25x6.15x2.95	D20C	D20	DC Power				<input checked="" type="checkbox"/>	<input type="checkbox"/>	<input type="checkbox"/>	<input type="checkbox"/>
BV-SMDJ22CAQ	BV-SMDJ22AQ	22	1	24.4	26.9	1	35.5	84.5	10/1000	3000	SMC	8.25x6.15x2.95	D22C	D22	DC Power				<input checked="" type="checkbox"/>	<input type="checkbox"/>	<input type="checkbox"/>	<input type="checkbox"/>
BV-SMDJ24CAQ	BV-SMDJ24AQ	24	1	26.7	29.5	1	38.9	77.1	10/1000	3000	SMC	8.25x6.15x2.95	D24C	D24	DC Power				<input checked="" type="checkbox"/>	<input type="checkbox"/>	<input type="checkbox"/>	<input type="checkbox"/>
BV-SMDJ26CAQ	BV-SMDJ26AQ	26	1	28.9	31.9	1	42.1	71.3	10/1000	3000	SMC	8.25x6.15x2.95	D26C	D26	DC Power				<input checked="" type="checkbox"/>	<input type="checkbox"/>	<input type="checkbox"/>	<input type="checkbox"/>
BV-SMDJ28CAQ	BV-SMDJ28AQ	28	1	31.1	34.4	1	45.4	66.1	10/1000	3000	SMC	8.25x6.15x2.95	D28C	D28	DC Power				<input checked="" type="checkbox"/>	<input type="checkbox"/>	<input type="checkbox"/>	<input type="checkbox"/>

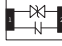

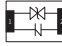

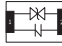

Environmental Analysis 环境分析
 Choose Standard 选择标准
 Application Guide 方案指导
 Select Components 器件选择
 System Test 系统测试
 Apply & Optimize 应用优化

产品型号 Part Number		不动作电压 Off state Voltage		击穿电压 Breakdown Voltage			最大钳位电压 Clamp Voltage		测试波形 Surge Waveform (μ s)	峰值功率 P _{PP} (W)	封装 Package	尺寸 Size LxWxH(mm)	印字 Mark		应用 Application	电路符号 Circuit		产品外观 Outline	认证 Certisate			
双向 BI	单向 UNI	V _{DRM} (V)	I _{DRM} 25°C(μ A) Max	V _{BR} (V)	I _R (mA)	V _C (V) Max	I _{PP} (A)	双向 BI					单向 UNI	双向 BI		单向 UNI	UL497B		UL1449	TUV	CQC	
BV-SMDJ30CAQ	BV-SMDJ30AQ	30	1	33.3	36.8	1	48.4	62.0	10/1000	3000	SMC	8.25x6.15x2.95	D30C	D30	DC Power				<input checked="" type="radio"/>	<input type="radio"/>	<input type="radio"/>	<input type="radio"/>
BV-SMDJ33CAQ	BV-SMDJ33AQ	33	1	36.7	40.6	1	53.3	56.3	10/1000	3000	SMC	8.25x6.15x2.95	D33C	D33	DC Power				<input checked="" type="radio"/>	<input type="radio"/>	<input type="radio"/>	<input type="radio"/>
BV-SMDJ36CAQ	BV-SMDJ36AQ	36	1	40	44.2	1	58.1	51.6	10/1000	3000	SMC	8.25x6.15x2.95	D36C	D36	DC Power				<input checked="" type="radio"/>	<input type="radio"/>	<input type="radio"/>	<input type="radio"/>
BV-SMDJ40CAQ	BV-SMDJ40AQ	40	1	44.4	49.1	1	64.5	46.5	10/1000	3000	SMC	8.25x6.15x2.95	D40C	D40	DC Power				<input checked="" type="radio"/>	<input type="radio"/>	<input type="radio"/>	<input type="radio"/>
BV-SMDJ43CAQ	BV-SMDJ43AQ	43	1	47.8	52.8	1	69.4	43.2	10/1000	3000	SMC	8.25x6.15x2.95	D43C	D43	DC Power				<input checked="" type="radio"/>	<input type="radio"/>	<input type="radio"/>	<input type="radio"/>
BV-SMDJ45CAQ	BV-SMDJ45AQ	45	1	50	55.3	1	72.7	41.3	10/1000	3000	SMC	8.25x6.15x2.95	D45C	D45	DC Power				<input checked="" type="radio"/>	<input type="radio"/>	<input type="radio"/>	<input type="radio"/>
BV-SMDJ48CAQ	BV-SMDJ48AQ	48	1	53.3	58.9	1	77.4	38.8	10/1000	3000	SMC	8.25x6.15x2.95	D48C	D48	DC Power				<input checked="" type="radio"/>	<input type="radio"/>	<input type="radio"/>	<input type="radio"/>
BV-SMDJ51CAQ	BV-SMDJ51AQ	51	1	56.7	62.7	1	82.4	36.4	10/1000	3000	SMC	8.25x6.15x2.95	D51C	D51	DC Power				<input checked="" type="radio"/>	<input type="radio"/>	<input type="radio"/>	<input type="radio"/>
BV-SMDJ54CAQ	BV-SMDJ54AQ	54	1	60	66.3	1	87.1	34.4	10/1000	3000	SMC	8.25x6.15x2.95	D54C	D54	DC Power				<input checked="" type="radio"/>	<input type="radio"/>	<input type="radio"/>	<input type="radio"/>
BV-SMDJ58CAQ	BV-SMDJ58AQ	58	1	64.4	71.2	1	93.6	32.1	10/1000	3000	SMC	8.25x6.15x2.95	D58C	D58	DC Power				<input checked="" type="radio"/>	<input type="radio"/>	<input type="radio"/>	<input type="radio"/>
BV-SMDJ60CAQ	BV-SMDJ60AQ	60	1	66.7	73.7	1	96.8	31.0	10/1000	3000	SMC	8.25x6.15x2.95	D60C	D60	DC Power				<input checked="" type="radio"/>	<input type="radio"/>	<input type="radio"/>	<input type="radio"/>
BV-SMDJ64CAQ	BV-SMDJ64AQ	64	1	71.1	78.6	1	103	29.1	10/1000	3000	SMC	8.25x6.15x2.95	D64C	D64	DC Power				<input checked="" type="radio"/>	<input type="radio"/>	<input type="radio"/>	<input type="radio"/>
BV-SMDJ70CAQ	BV-SMDJ70AQ	70	1	77.8	86	1	113	26.5	10/1000	3000	SMC	8.25x6.15x2.95	D70C	D70	DC Power				<input checked="" type="radio"/>	<input type="radio"/>	<input type="radio"/>	<input type="radio"/>
BV-SMDJ75CAQ	BV-SMDJ75AQ	75	1	83.3	92.1	1	121	24.8	10/1000	3000	SMC	8.25x6.15x2.95	D75C	D75	DC Power				<input checked="" type="radio"/>	<input type="radio"/>	<input type="radio"/>	<input type="radio"/>
BV-SMDJ78CAQ	BV-SMDJ78AQ	78	1	86.7	95.8	1	126	23.8	10/1000	3000	SMC	8.25x6.15x2.95	D78C	D78	DC Power				<input checked="" type="radio"/>	<input type="radio"/>	<input type="radio"/>	<input type="radio"/>
BV-SMDJ85CAQ	BV-SMDJ85AQ	85	1	94.4	104	1	137	21.9	10/1000	3000	SMC	8.25x6.15x2.95	D85C	D85	DC Power				<input checked="" type="radio"/>	<input type="radio"/>	<input type="radio"/>	<input type="radio"/>
BV-SMDJ90CAQ	BV-SMDJ90AQ	90	1	100	111	1	146	20.5	10/1000	3000	SMC	8.25x6.15x2.95	D90C	D90	DC Power				<input checked="" type="radio"/>	<input type="radio"/>	<input type="radio"/>	<input type="radio"/>
BV-SMDJ100CAQ	BV-SMDJ100AQ	100	1	111	123	1	162	18.5	10/1000	3000	SMC	8.25x6.15x2.95	D100C	D100	DC Power				<input checked="" type="radio"/>	<input type="radio"/>	<input type="radio"/>	<input type="radio"/>
BV-SMDJ110CAQ	BV-SMDJ110AQ	110	1	122	135	1	177	16.9	10/1000	3000	SMC	8.25x6.15x2.95	D110C	D110	DC Power				<input checked="" type="radio"/>	<input type="radio"/>	<input type="radio"/>	<input type="radio"/>
BV-SMDJ120CAQ	BV-SMDJ120AQ	120	1	133	147	1	193	15.5	10/1000	3000	SMC	8.25x6.15x2.95	D120C	D120	DC Power				<input checked="" type="radio"/>	<input type="radio"/>	<input type="radio"/>	<input type="radio"/>
BV-SMDJ130CAQ	BV-SMDJ130AQ	130	1	144	159	1	209	14.4	10/1000	3000	SMC	8.25x6.15x2.95	D130C	D130	DC Power				<input checked="" type="radio"/>	<input type="radio"/>	<input type="radio"/>	<input type="radio"/>
BV-SMDJ150CAQ	BV-SMDJ150AQ	150	1	167	185	1	243	12.3	10/1000	3000	SMC	8.25x6.15x2.95	D150C	D150	DC Power				<input checked="" type="radio"/>	<input type="radio"/>	<input type="radio"/>	<input type="radio"/>
BV-SMDJ160CAQ	BV-SMDJ160AQ	160	1	178	197	1	259	11.6	10/1000	3000	SMC	8.25x6.15x2.95	D160C	D160	DC Power				<input checked="" type="radio"/>	<input type="radio"/>	<input type="radio"/>	<input type="radio"/>
BV-SMDJ170CAQ	BV-SMDJ170AQ	170	1	189	209	1	275	10.9	10/1000	3000	SMC	8.25x6.15x2.95	D170C	D170	DC Power				<input checked="" type="radio"/>	<input type="radio"/>	<input type="radio"/>	<input type="radio"/>
BV-5SMDJ11CAQ	BV-5SMDJ11AQ	11	800	12.2	13.5	1	18.2	275	10/1000	5000	SMC	8.25x6.15x2.95	5D11C	5D11	DC Power				<input checked="" type="radio"/>	<input type="radio"/>	<input type="radio"/>	<input type="radio"/>
BV-5SMDJ12CAQ	BV-5SMDJ12AQ	12	800	13.3	14.7	1	19.9	252	10/1000	5000	SMC	8.25x6.15x2.95	5D12C	5D12	DC Power				<input checked="" type="radio"/>	<input type="radio"/>	<input type="radio"/>	<input type="radio"/>
BV-5SMDJ13CAQ	BV-5SMDJ13AQ	13	500	14.4	15.9	1	21.5	233	10/1000	5000	SMC	8.25x6.15x2.95	5D13C	5D13	DC Power				<input checked="" type="radio"/>	<input type="radio"/>	<input type="radio"/>	<input type="radio"/>
BV-5SMDJ14CAQ	BV-5SMDJ14AQ	14	200	15.6	17.2	1	23.2	216	10/1000	5000	SMC	8.25x6.15x2.95	5D14C	5D14	DC Power				<input checked="" type="radio"/>	<input type="radio"/>	<input type="radio"/>	<input type="radio"/>
BV-5SMDJ15CAQ	BV-5SMDJ15AQ	15	100	16.7	18.5	1	24.4	205	10/1000	5000	SMC	8.25x6.15x2.95	5D15C	5D15	DC Power				<input checked="" type="radio"/>	<input type="radio"/>	<input type="radio"/>	<input type="radio"/>
BV-5SMDJ16CAQ	BV-5SMDJ16AQ	16	50	17.8	19.7	1	26	193	10/1000	5000	SMC	8.25x6.15x2.95	5D16C	5D16	DC Power				<input checked="" type="radio"/>	<input type="radio"/>	<input type="radio"/>	<input type="radio"/>
BV-5SMDJ17CAQ	BV-5SMDJ17AQ	17	20	18.9	20.9	1	27.6	181	10/1000	5000	SMC	8.25x6.15x2.95	5D17C	5D17	DC Power				<input checked="" type="radio"/>	<input type="radio"/>	<input type="radio"/>	<input type="radio"/>
BV-5SMDJ18CAQ	BV-5SMDJ18AQ	18	10	20	22.1	1	29.2	172	10/1000	5000	SMC	8.25x6.15x2.95	5D18C	5D18	DC Power				<input checked="" type="radio"/>	<input type="radio"/>	<input type="radio"/>	<input type="radio"/>

产品型号 Part Number		不动作电压 Off state Voltage		击穿电压 Breakdown Voltage			最大钳位电压 Clamp Voltage		测试波形 Surge Waveform	峰值功率	封装	尺寸 Size	印字 Mark		应用	电路符号 Circuit		产品外观 Outline	认证 Certifisate			
双向 BI	单向 UNI	V _{DRM} (V)	I _{DRM} 25°C(μA) Max	V _{BR} (V)	I _R (mA)	V _C (V) Max	I _{PP} (A)	测试波形 Waveform (μs)	P _{PP} (W)	封装 Package	LxWxH(mm)	双向 BI	单向 UNI	应用 Application	双向 BI	单向 UNI	产品外观 Outline	UL497B	UL1449	TUV	CQC	
BV-5SMDJ20CAQ	BV-5SMDJ20AQ	20	5	22.2	24.5	1	32.4	155	10/1000	5000	SMC	8.25x6.15x2.95	5D20C	5D20	DC Power				●	○	○	○
BV-5SMDJ22CAQ	BV-5SMDJ22AQ	22	5	24.4	26.9	1	35.5	141	10/1000	5000	SMC	8.25x6.15x2.95	5D22C	5D22	DC Power				●	○	○	○
BV-5SMDJ24CAQ	BV-5SMDJ24AQ	24	2	26.7	29.5	1	38.9	129	10/1000	5000	SMC	8.25x6.15x2.95	5D24C	5D24	DC Power				●	○	○	○
BV-5SMDJ26CAQ	BV-5SMDJ26AQ	26	2	28.9	31.9	1	42.1	119	10/1000	5000	SMC	8.25x6.15x2.95	5D26C	5D26	DC Power				●	○	○	○
BV-5SMDJ28CAQ	BV-5SMDJ28AQ	28	2	31.1	34.4	1	45.4	110	10/1000	5000	SMC	8.25x6.15x2.95	5D28C	5D28	DC Power				●	○	○	○
BV-5SMDJ30CAQ	BV-5SMDJ30AQ	30	2	33.3	36.8	1	48.4	103	10/1000	5000	SMC	8.25x6.15x2.95	5D30C	5D30	DC Power				●	○	○	○
BV-5SMDJ33CAQ	BV-5SMDJ33AQ	33	2	36.7	40.6	1	53.3	93.9	10/1000	5000	SMC	8.25x6.15x2.95	5D33C	5D33	DC Power				●	○	○	○
BV-5SMDJ36CAQ	BV-5SMDJ36AQ	36	2	40	44.2	1	58.1	86.1	10/1000	5000	SMC	8.25x6.15x2.95	5D36C	5D36	DC Power				●	○	○	○
BV-5SMDJ40CAQ	BV-5SMDJ40AQ	40	2	44.4	49.1	1	64.5	77.6	10/1000	5000	SMC	8.25x6.15x2.95	5D40C	5D40	DC Power				●	○	○	○
BV-5SMDJ43CAQ	BV-5SMDJ43AQ	43	2	47.8	52.8	1	69.4	72.1	10/1000	5000	SMC	8.25x6.15x2.95	5D43C	5D43	DC Power				●	○	○	○
BV-5SMDJ45CAQ	BV-5SMDJ45AQ	45	2	50	55.3	1	72.7	68.8	10/1000	5000	SMC	8.25x6.15x2.95	5D45C	5D45	DC Power				●	○	○	○
BV-5SMDJ48CAQ	BV-5SMDJ48AQ	48	2	53.3	58.9	1	77.4	64.7	10/1000	5000	SMC	8.25x6.15x2.95	5D48C	5D48	DC Power				●	○	○	○
BV-5SMDJ51CAQ	BV-5SMDJ51AQ	51	2	56.7	62.7	1	82.4	60.7	10/1000	5000	SMC	8.25x6.15x2.95	5D51C	5D51	DC Power				●	○	○	○
BV-5SMDJ54CAQ	BV-5SMDJ54AQ	54	2	60	66.3	1	87.1	57.5	10/1000	5000	SMC	8.25x6.15x2.95	5D54C	5D54	DC Power				●	○	○	○
BV-5SMDJ58CAQ	BV-5SMDJ58AQ	58	2	64.4	71.2	1	93.6	53.5	10/1000	5000	SMC	8.25x6.15x2.95	5D58C	5D58	DC Power				●	○	○	○
BV-5SMDJ60CAQ	BV-5SMDJ60AQ	60	2	66.7	73.7	1	96.8	51.7	10/1000	5000	SMC	8.25x6.15x2.95	5D60C	5D60	DC Power				●	○	○	○
BV-5SMDJ64CAQ	BV-5SMDJ64AQ	64	2	71.1	78.6	1	103	48.6	10/1000	5000	SMC	8.25x6.15x2.95	5D64C	5D64	DC Power				●	○	○	○
BV-5SMDJ70CAQ	BV-5SMDJ70AQ	70	2	77.8	86	1	113	44.3	10/1000	5000	SMC	8.25x6.15x2.95	5D70C	5D70	DC Power				●	○	○	○
BV-5SMDJ75CAQ	BV-5SMDJ75AQ	75	2	83.3	92.1	1	121	41.4	10/1000	5000	SMC	8.25x6.15x2.95	5D75C	5D75	DC Power				●	○	○	○
BV-5SMDJ78CAQ	BV-5SMDJ78AQ	78	2	86.7	95.8	1	126	39.7	10/1000	5000	SMC	8.25x6.15x2.95	5D78C	5D78	DC Power				●	○	○	○
BV-5SMDJ85CAQ	BV-5SMDJ85AQ	85	2	94.4	104	1	137	36.5	10/1000	5000	SMC	8.25x6.15x2.95	5D85C	5D85	DC Power				●	○	○	○
BV-5SMDJ90CAQ	BV-5SMDJ90AQ	90	2	100	111	1	146	34.3	10/1000	5000	SMC	8.25x6.15x2.95	5D90C	5D90	DC Power				●	○	○	○
BV-5SMDJ100CAQ	BV-5SMDJ100AQ	100	2	111	123	1	162	30.9	10/1000	5000	SMC	8.25x6.15x2.95	5D100C	5D100	DC Power				●	○	○	○
BV-5SMDJ110CAQ	BV-5SMDJ110AQ	110	2	122	135	1	177	28.3	10/1000	5000	SMC	8.25x6.15x2.95	5D110C	5D110	DC Power				●	○	○	○
BV-5SMDJ120CAQ	BV-5SMDJ120AQ	120	2	133	147	1	193	26	10/1000	5000	SMC	8.25x6.15x2.95	5D120C	5D120	DC Power				●	○	○	○
BV-5SMDJ130CAQ	BV-5SMDJ130AQ	130	2	144	159	1	209	24	10/1000	5000	SMC	8.25x6.15x2.95	5D130C	5D130	DC Power				●	○	○	○
BV-5SMDJ150CAQ	BV-5SMDJ150AQ	150	2	167	185	1	243	20.6	10/1000	5000	SMC	8.25x6.15x2.95	5D150C	5D150	DC Power				●	○	○	○
BV-5SMDJ160CAQ	BV-5SMDJ160AQ	160	2	178	197	1	259	19.3	10/1000	5000	SMC	8.25x6.15x2.95	5D160C	5D160	DC Power				●	○	○	○
BV-5SMDJ170CAQ	BV-5SMDJ170AQ	170	2	189	209	1	275	18.2	10/1000	5000	SMC	8.25x6.15x2.95	5D170C	5D170	DC Power				●	○	○	○
	BV-SM8S10A	10	15	11.1	12.3	5	17	388	10/1000	6600	DO-218AB	15.5x10x4.9		SM8S10A	DC Power				○	○	○	○
	BV-SM8S11A	11	10	12.2	13.5	5	18.2	363	10/1000	6600	DO-218AB	15.5x10x4.9		SM8S11A	DC Power				○	○	○	○
	BV-SM8S12A	12	10	13.3	14.7	5	19.9	332	10/1000	6600	DO-218AB	15.5x10x4.9		SM8S12A	DC Power				○	○	○	○

产品型号 Part Number		不动作电压 Off state Voltage		击穿电压 Breakdown Voltage			最大钳位电压 Clamp Voltage		测试波形 Surge Waveform (μ s)	峰值功率 P _{PP} (W)	封装 Package	尺寸 Size LxWxH(mm)	印字 Mark		应用 Application	电路符号 Circuit		产品外观 Outline	认证 Certisate			
双向 BI	单向 UNI	V _{DRM} (V)	I _{DRM} 25°C(μ A) Max	V _{BR} (V)	I _R (mA)	V _C (V) Max	I _{PP} (A)	双向 BI					单向 UNI	双向 BI		单向 UNI	UL497B		UL1449	TUV	CQC	
	BV-SM8S13A	13	10	14.4	15.9	5	21.5	307	10/1000	6600	DO-218AB	15.5x10x4.9		SM8S13A	DC Power			<input type="radio"/>	<input type="radio"/>	<input type="radio"/>	<input type="radio"/>	
BV-SM8S14CA	BV-SM8S14A	14	10	15.6	17.2	5	23.2	284	10/1000	6600	DO-218AB	15.5x10x4.9	SM8S14CA	SM8S14A	DC Power			<input type="radio"/>	<input type="radio"/>	<input type="radio"/>	<input type="radio"/>	
BV-SM8S15CA	BV-SM8S15A	15	10	16.7	18.5	5	24.4	270	10/1000	6600	DO-218AB	15.5x10x4.9	SM8S15CA	SM8S15A	DC Power			<input type="radio"/>	<input type="radio"/>	<input type="radio"/>	<input type="radio"/>	
BV-SM8S16CA	BV-SM8S16A	16	10	17.8	19.7	5	26	254	10/1000	6600	DO-218AB	15.5x10x4.9	SM8S16CA	SM8S16A	DC Power			<input type="radio"/>	<input type="radio"/>	<input type="radio"/>	<input type="radio"/>	
BV-SM8S17CA	BV-SM8S17A	17	10	18.9	20.9	5	27.6	239	10/1000	6600	DO-218AB	15.5x10x4.9	SM8S17CA	SM8S17A	DC Power			<input type="radio"/>	<input type="radio"/>	<input type="radio"/>	<input type="radio"/>	
BV-SM8S18CA	BV-SM8S18A	18	10	20	22.1	5	29.2	226	10/1000	6600	DO-218AB	15.5x10x4.9	SM8S18CA	SM8S18A	DC Power			<input type="radio"/>	<input type="radio"/>	<input type="radio"/>	<input type="radio"/>	
BV-SM8S20CA	BV-SM8S20A	20	10	22.2	24.5	5	32.4	204	10/1000	6600	DO-218AB	15.5x10x4.9	SM8S20CA	SM8S20A	DC Power			<input type="radio"/>	<input type="radio"/>	<input type="radio"/>	<input type="radio"/>	
BV-SM8S22CA	BV-SM8S22A	22	10	24.4	26.9	5	35.5	186	10/1000	6600	DO-218AB	15.5x10x4.9	SM8S22CA	SM8S22A	DC Power			<input type="radio"/>	<input type="radio"/>	<input type="radio"/>	<input type="radio"/>	
BV-SM8S24CA	BV-SM8S24A	24	10	26.7	29.5	5	38.9	170	10/1000	6600	DO-218AB	15.5x10x4.9	SM8S24CA	SM8S24A	DC Power			<input type="radio"/>	<input type="radio"/>	<input type="radio"/>	<input type="radio"/>	
BV-SM8S26CA	BV-SM8S26A	26	10	28.9	31.9	5	42.1	157	10/1000	6600	DO-218AB	15.5x10x4.9	SM8S26CA	SM8S26A	DC Power			<input type="radio"/>	<input type="radio"/>	<input type="radio"/>	<input type="radio"/>	
BV-SM8S28CA	BV-SM8S28A	28	10	31.1	34.4	5	45.4	145	10/1000	6600	DO-218AB	15.5x10x4.9	SM8S28CA	SM8S28A	DC Power			<input type="radio"/>	<input type="radio"/>	<input type="radio"/>	<input type="radio"/>	
BV-SM8S30CA	BV-SM8S30A	30	10	33.3	36.8	5	48.4	136	10/1000	6600	DO-218AB	15.5x10x4.9	SM8S30CA	SM8S30A	DC Power			<input type="radio"/>	<input type="radio"/>	<input type="radio"/>	<input type="radio"/>	
BV-SM8S33CA	BV-SM8S33A	33	10	36.7	40.6	5	53.3	124	10/1000	6600	DO-218AB	15.5x10x4.9	SM8S33CA	SM8S33A	DC Power			<input type="radio"/>	<input type="radio"/>	<input type="radio"/>	<input type="radio"/>	
BV-SM8S36CA	BV-SM8S36A	36	10	40	44.2	5	58.1	114	10/1000	6600	DO-218AB	15.5x10x4.9	SM8S36CA	SM8S36A	DC Power			<input type="radio"/>	<input type="radio"/>	<input type="radio"/>	<input type="radio"/>	
BV-SM8S40CA	BV-SM8S40A	40	10	44.4	49.1	5	64.5	102	10/1000	6600	DO-218AB	15.5x10x4.9	SM8S40CA	SM8S40A	DC Power			<input type="radio"/>	<input type="radio"/>	<input type="radio"/>	<input type="radio"/>	
BV-SM8S43CA	BV-SM8S43A	43	10	47.8	52.8	5	69.4	95.1	10/1000	6600	DO-218AB	15.5x10x4.9	SM8S43CA	SM8S43A	DC Power			<input type="radio"/>	<input type="radio"/>	<input type="radio"/>	<input type="radio"/>	
BV-SMBJ30C2H		30	1	32	37	1	48.4	31	10/1000	1500	SMB	5.45x3.75x2.6	B30C2H		DC Power			<input checked="" type="radio"/>	<input type="radio"/>	<input type="radio"/>	<input type="radio"/>	
BV-SMBJ58C2H		58	1	62.4	71.2	1	85	150	10/700	4(KV)	SMB	5.45x3.75x2.6	B58C2		POE			<input checked="" type="radio"/>	<input type="radio"/>	<input type="radio"/>	<input type="radio"/>	
BV-SMBJ36C2M		36	1	38	44.2	1	50	30	10/1000	1500	SMB	5.45x3.75x2.6	B36C2M		DC Power			<input type="radio"/>	<input type="radio"/>	<input type="radio"/>	<input type="radio"/>	
BV-SMBT-15CA		15	1	16.7	18.5	1	24.4	40.8	10/1000	1000 (Pin1,3 to 2)	SMB-T	5.4x3.3x2.0	B15CT		DC Power			<input type="radio"/>	<input checked="" type="radio"/>	<input type="radio"/>	<input type="radio"/>	
BV-SMBT-20CA		20	1	22.2	24.5	1	32.4	30.8	10/1000	1000 (Pin1,3 to 2)	SMB-T	5.4x3.3x2.0	B20CT		DC Power			<input type="radio"/>	<input type="radio"/>	<input type="radio"/>	<input type="radio"/>	
BV-SMBJ15CAH		15	1	16.7	18.5	1	24.4	40.8	10/1000	1000	SMB	5.45x3.75x2.6	SB15CH		DC Power			<input type="radio"/>	<input type="radio"/>	<input type="radio"/>	<input type="radio"/>	
BV-SMCT-58CA		58	1	64.4	71.2	1	93.6	32.1	10/1000	3000 (Pin1,3 to 2)	SMC-T	8.0x5.9x2.0	C58CT		POE			<input type="radio"/>	<input type="radio"/>	<input type="radio"/>	<input type="radio"/>	
	BV-SMKJ30A	30	10	33	37	10	55	3000	8/20	/	SMK	10.6x8.25x2.25		K30A	DC Power			<input type="radio"/>	<input type="radio"/>	<input type="radio"/>	<input type="radio"/>	
	BV-SMKJ75CA	75	10	85	94	10	140	3000	8/20	/	SMK	10.6x8.25x2.25		K75C	DC Power			<input type="radio"/>	<input type="radio"/>	<input type="radio"/>	<input type="radio"/>	
BVF-0150A050-MD2		15	1	16.7	18.5	1	25	50	10/1000	1250	SMB-F	5.4x3.3x2	BF15CL		DC Power			<input type="radio"/>	<input type="radio"/>	<input type="radio"/>	<input type="radio"/>	
	BV-D158ZCH	58	1	64.4	71.2	1	93.6	4.3	10/1000	400	SOD123F	3.7X1.8X1.0	DG		DC Power			<input type="radio"/>	<input type="radio"/>	<input type="radio"/>	<input type="radio"/>	
	BV-D105ZH	5	400	6.4	7	10	9.2	43.5	10/1000	400	SOD123F	3.7X1.8X1.0		A2	DC Power			<input type="radio"/>	<input type="radio"/>	<input type="radio"/>	<input type="radio"/>	
	BV-D115ZH	15	1	16.7	18.5	1	24.4	16.4	10/1000	400	SOD123F	3.7X1.8X1.0		B6	DC Power			<input type="radio"/>	<input type="radio"/>	<input type="radio"/>	<input type="radio"/>	
	BV-D117ZH	17	1	18.9	20.9	1	27.6	14.5	10/1000	400	SOD123F	3.7X1.8X1.0		B8	DC Power			<input type="radio"/>	<input type="radio"/>	<input type="radio"/>	<input type="radio"/>	
	BV-SMEJ44CA	44	10	48	54	10	80	10000	8/20 μ s	/	SME	18.3x14.0x7.5	/		DC Power			<input type="radio"/>	<input type="radio"/>	<input type="radio"/>	<input type="radio"/>	
	BV-SMEJ66CA	66	10	72	80	10	100	10000	8/20 μ s	/	SME	18.3x14.0x7.5	/		DC Power			<input type="radio"/>	<input type="radio"/>	<input type="radio"/>	<input type="radio"/>	

产品型号 Part Number		不动作电压 Off state Voltage		击穿电压 Breakdown Voltage			最大钳位电压 Clamp Voltage		测试波形 Surge Waveform (μ s)	峰值功率 P_{pp} (W)	封装 Package	尺寸 Size LxWxH(mm)	印字 Mark		应用 Application	电路符号 Circuit		产品外观 Outline	认证 Certifisate				
双向 BI	单向 UNI	V_{DRM} (V)	I_{DRM} 25°C(μ A) Max	V_{BR} (V)	I_R (mA)	Min	Max	V_C (V) Max	@ I_{PP} (A)				双向 BI	单向 UNI		双向 BI	单向 UNI		UL497B	UL1449	TUV	CQC	
		76	10	85	95	10		140	10000	8/20 μ s	/	SME	18.3x14.0x7.5	/	DC Power				<input type="radio"/>	<input checked="" type="radio"/>	<input type="radio"/>	<input type="radio"/>	
		86	10	95	105	10		157	10000	8/20 μ s	/	SME	18.3x14.0x7.5	/	DC Power				<input type="radio"/>	<input checked="" type="radio"/>	<input type="radio"/>	<input type="radio"/>	
	BV-5SMDJ85A	85	2	94.4	104	1		137	36.5	10/1000	5000	SMC	8.25x6.15x2.95	5D85C	5D85	DC Power				<input type="radio"/>	<input type="radio"/>	<input type="radio"/>	<input type="radio"/>

产品型号 Part Number	测试方向 Test Direction	不动作电压 Off state Voltage		转折/开启电压 Switching Voltage		通态电压 On state Voltage		最大钳位电压 Clamp Voltage			封装 Package	尺寸 Size LxWxH(mm)	印字 Mark	应用 Application	电路符号 Circuit	产品外观 Outline	认证 Certifisate					
		V _{DRM} (V)	I _o (μA) Max	V _s /V _{BR} (V) Max	I _s /I _r (mA)	V _T (V) Max	I _T (A)	V _{CPe} (V) Max	V _{CPL}	@I _{PP} (kA) 8/20μs							V _C (V) Max	@ I _{PP} (kA) 10/350μs	UL497B	UL1449	TUV	CQC
BVS-SMEJ6665CA-H	Pin1-Pin2	66	10	105	10	/	/	157	59.4	10	157	0.4	SMEJ	18.3x14.0x7.5	10-6665 BVS YM	DC Power			○	○	○	○
	Pin2-Pin1	65	10	120	800	4	2.2	157	/	10	157	0.4							○	○	○	○
BVS-SMEJ7675CA-H	Pin1-Pin2	76	10	95	10	/	/	140	68.4	10	140	0.4	SMEJ	18.3x14.0x7.5	10-7675 BVS YM	DC Power			○	○	○	○
	Pin2-Pin1	75	10	88	800	4	2.2	140	/	10	140	0.4							○	○	○	○
BVS-SMEJ8685CA-H	Pin1-Pin2	86	10	105	10	/	/	157	77.4	10	157	0.4	SMEJ	18.3x14.0x7.5	10-8685 BVS YM	DC Power			○	○	○	○
	Pin2-Pin1	85	10	100	800	4	2.2	150	/	10	150	0.4							○	○	○	○

产品型号 Part Number 双向 BI	不动作电压 Off state Voltage		击穿电压 Breakdown Voltage			钳位电压 Clamp Voltage			峰值脉冲电流 Peak pulse current		分断能力 Interrupting Rating			尺寸 Size LxWxH(mm)	应用 Application	电路符号 Circuit 双向 BI	产品外观 Outline	认证 Certisate			
	V _{DRM} (V)	I _{DRM} 25°C(μA) Max	V _{BR} (V) Min	V _{BR} (V) Max	I _R (mA) 1	V _{CPE} (V) Max	V _{CPL} (V)	@I _{PP} (kA) 8/20μs	测试波形	(kA)	(A)	(V)	DC					AC	UL497B	UL1449	TUV
BVO-SMG76CA	76	20	85	95	1	160	/	10	8/20μs 40/100μs	20@25°C 3@25°C	150A 300A 150A	110 48 220	DC DC AC	24.0x23.5x13.8	DC Power			<input type="radio"/>	<input type="radio"/>	<input type="radio"/>	<input type="radio"/>
BVO-SMEJ76CA-1	76	10	85	95	10	150	120	15	8/20μs 10/350μs	15@25°C 0.8@25°C	200A 200A	150 220	DC AC	19.1x19.1x10.0	DC Power			<input type="radio"/>	<input type="radio"/>	<input type="radio"/>	<input type="radio"/>
BVO-SMEJ76CA-2	76	10	85	95	10	140	110	10	8/20μs 10/350μs	10@105°C 0.8@105°C	200A 200A	150 220	DC AC	19.1x19.1x10.0	DC Power			<input type="radio"/>	<input type="radio"/>	<input type="radio"/>	<input type="radio"/>

产品型号 Part Number	不动作电压 Off state Voltage		击穿电压 Breakdown Voltage		钳位电压 Clamp Voltage		最大钳位电压 Clamp Voltage		结电容 Capacitance Co (pF) 0V@1MHZ Max	测试波形 Surge Waveform (μ s)	功率 P _{PP} (W)	封装 Package	印字 Mark	尺寸 Size LxWxH(mm)	应用 Application	电路符号 Circuit	产品外观 Outline	认证 Certifisate			
	V _{DRM} (V)	I _{DRM} 25°C(μ A) Max	V _{BR} (V) Min	I _r (mA)	V _c (V) Max	@ I _{PP} (A)	V _c (V) Max	@ I _{PP} (A)										UL497B	UL1449	TUV	CQC
BV03CW	3	0.5	3.5	1	5.8	1	15	10	1.5	8/20	150	SOD-323	CA1	1.6x1.3x1.2	Ethernet			<input type="radio"/>	<input type="radio"/>	<input type="radio"/>	<input type="radio"/>
BV03C-H	3.3	1	3.8	1	7	1	18.5	19	1.5	8/20	350	SOD-323	CC	1.6x1.3x1.2	Ethernet			<input type="radio"/>	<input type="radio"/>	<input type="radio"/>	<input type="radio"/>
BV05C	5	5	6	1	9.8	1	18.3	8	1.5	8/20	150	SOD-323	AC	1.6x1.3x1.2	xDSL			<input type="radio"/>	<input type="radio"/>	<input type="radio"/>	<input type="radio"/>
BV08C	8	2	8.5	1	13.4	1	18.5	8	1.5	8/20	150	SOD-323	BC	1.6x1.3x1.2	xDSL			<input type="radio"/>	<input type="radio"/>	<input type="radio"/>	<input type="radio"/>
BV12C	12	1	13.3	1	19	1	28.6	6	1.5	8/20	150	SOD-323	DC	1.6x1.3x1.2	xDSL			<input type="radio"/>	<input type="radio"/>	<input type="radio"/>	<input type="radio"/>
BV15C	15	1	16.7	1	24	1	31.8	5	1.5	8/20	150	SOD-323	EC	1.6x1.3x1.2	xDSL			<input type="radio"/>	<input type="radio"/>	<input type="radio"/>	<input type="radio"/>
BV24C	24	1	26.7	1	43	1	56	3	1.5	8/20	150	SOD-323	HC	1.6x1.3x1.2	xDSL			<input type="radio"/>	<input type="radio"/>	<input type="radio"/>	<input type="radio"/>
BV-D32.5UCA	2.5	0.5	2.8	1	5	1	10	10	5	8/20	100	SOD-323	ZC	1.6x1.3x1.2	Ethernet			<input type="radio"/>	<input type="radio"/>	<input type="radio"/>	<input type="radio"/>
BV-D303UC	3	0.5	3.5	1	5.15	1	13.9	15	1	8/20	350	SOD-323	CC.	1.6x1.3x1.2	Ethernet			<input type="radio"/>	<input type="radio"/>	<input type="radio"/>	<input type="radio"/>
BV-D308UCE	8	1	8.3	1	12.5	1	30	13.5	2	8/20	405	SOD-323	D4	1.6x1.3x1.2	xDSL			<input type="radio"/>	<input type="radio"/>	<input type="radio"/>	<input type="radio"/>
BV-D312UCE	12	1	13.5	1	18.3	1	34	13.5	2	8/20	459	SOD-323	DK	1.6x1.3x1.2	xDSL			<input type="radio"/>	<input type="radio"/>	<input type="radio"/>	<input type="radio"/>
BV-D315UCE	15	1	17.3	1	21.7	1	40	10	2	8/20	400	SOD-323	D7	1.6x1.3x1.2	xDSL			<input type="radio"/>	<input type="radio"/>	<input type="radio"/>	<input type="radio"/>
BV-FG03U4CA	3	0.1	3.5	1	7	1	17	12	1.2	8/20	200	DNF2010-8L	U33	2.0x1.0x0.5	Ethernet			<input type="radio"/>	<input type="radio"/>	<input type="radio"/>	<input type="radio"/>
BV-D324UCE	24	1	27.3	1	34	1	52	6.5	2	8/20	338	SOD-323	DA	1.6x1.3x1.2	xDSL			<input type="radio"/>	<input type="radio"/>	<input type="radio"/>	<input type="radio"/>
BV-3304P8	3.3	0.1	3.5	1	5.8	1	18	25	2	8/20	450	SOP8	LC33	4.9x3.9x1.5	Ethernet			<input type="radio"/>	<input type="radio"/>	<input type="radio"/>	<input type="radio"/>
BV-SRV05-4	5	0.5	6	1	/	/	15	5	1.8	8/20	75	SOT23-6	V05	2.9x2.4x1.0	Video			<input type="radio"/>	<input type="radio"/>	<input type="radio"/>	<input type="radio"/>
BV-ULC0524PA	5	1	6	1	15	1	25	4	0.6	8/20	100	DFN-2510-10L	P524	2.5x1.0x0.5	HDMI			<input type="radio"/>	<input type="radio"/>	<input type="radio"/>	<input type="radio"/>
BV-FK05U4CA	5	0.5	6	1	/	/	15	3	0.6	8/20	45	DFN-2510-10L	0524P	2.5x1.0x0.5	HDMI			<input type="radio"/>	<input type="radio"/>	<input type="radio"/>	<input type="radio"/>
BV-SR05	5	1	6	1	15	1	25	5	1.2	8/20	125	SOT143	R05	2.9x1.3x1.0	Video			<input type="radio"/>	<input type="radio"/>	<input type="radio"/>	<input type="radio"/>
BV_SD05	5	5	6	1	9.8	1	15	24	320	8/20	350	SOD-323	5U	1.6x1.3x1.2	ADSL2+			<input type="radio"/>	<input type="radio"/>	<input type="radio"/>	<input type="radio"/>
BV-D112ZB	12	1	13.3	1	23	100	26	170	1500	8/20	4420	SOD123F	BE	2.7X1.8X1.0	DC power			<input type="radio"/>	<input type="radio"/>	<input type="radio"/>	<input type="radio"/>
BV-D112ZCB	12	1	13.3	1	/	/	24	170	1000	8/20	4000	SOD123F	BE	2.7X1.8X1.0	DC power			<input type="radio"/>	<input type="radio"/>	<input type="radio"/>	<input type="radio"/>
BV-FM12ZA	12	1	13	1	23	100	27	150	1500	8/20	4050	DFN2020	U12Z	2.0x2.0x0.6	DC power			<input type="radio"/>	<input type="radio"/>	<input type="radio"/>	<input type="radio"/>
BV-FM4.5ZCB	4.5	1	4.8	1	/	/	20	275	1000	8/20	6000	DFN2020	45ZB	2.0x2.0x0.6	DC power			<input type="radio"/>	<input type="radio"/>	<input type="radio"/>	<input type="radio"/>
BV-FM20ZA	20	1	21	1	/	/	37	80	1500	8/20	2960	DFN2020	U20Z	2.0x2.0x0.6	DC power			<input type="radio"/>	<input type="radio"/>	<input type="radio"/>	<input type="radio"/>
BV-FM24ZD	24	1	25	1	46	70	53	90	1500	8/20	4000	DFN2020	U24Z	2.0x2.0x0.6	DC power			<input type="radio"/>	<input type="radio"/>	<input type="radio"/>	<input type="radio"/>
BV-FE05ZA	5	1	6	1	9	100	13	150	2000	8/20	1800	DFN1610-2L	U5Z	1.6x1.0x0.5	Cell phone			<input type="radio"/>	<input type="radio"/>	<input type="radio"/>	<input type="radio"/>
BV-FE07ZA	7	1	7.5	1	12	80	13	100	1000	8/20	1300	DFN1610-2L	Z07A	1.6x1.0x0.5	DC power			<input type="radio"/>	<input type="radio"/>	<input type="radio"/>	<input type="radio"/>
BV-FE07ZCA	7	1	7.5	1	/	/	13	100	1000	8/20	1300	DFN1610-2L	07CA	1.6x1.0x0.5	DC power			<input type="radio"/>	<input type="radio"/>	<input type="radio"/>	<input type="radio"/>
BV-FE03U2A	3.3	0.5	4.5	1	/	/	24	4	0.35	8/20	100	DFN1610-6L	GA	1.6x1.0x0.5	10G Ethernet			<input type="radio"/>	<input type="radio"/>	<input type="radio"/>	<input type="radio"/>
BV-FE03U2M-H	3.3	0.05	6	10	/	/	12	10	0.35	8/20	120	DFN1610-6L	GA	1.6x1.0x0.5	10G Ethernet			<input type="radio"/>	<input type="radio"/>	<input type="radio"/>	<input type="radio"/>
BV-D305ZH	5	1	6	1	11	100	14	130	2000	8/20	1820	SOD-323	U5H	1.6x1.3x1.2	DC power			<input type="radio"/>	<input type="radio"/>	<input type="radio"/>	<input type="radio"/>

产品型号 Part Number	不动作电压 Off state Voltage		击穿电压 Breakdown Voltage		钳位电压 Clamp Voltage		最大钳位电压 Clamp Voltage		结电容 Capacitance Co (pF) 0V@1MHZ Max	测试波形 Surge Waveform (μs)	功率 PP (W)	封装 Package	印字 Mark	尺寸 Size LxWxH(mm)	应用 Application	电路符号 Circuit	产品外观 Outline	认证 Certifisate			
	VDRM (V)	IDRM 25°C(μA) Max	VBR (V) Min	Ir (mA)	Vc (V) Max	@ IPP (A)	Vc (V) Max	@ IPP (A)										UL497B	UL1449	TUV	CQC
BV-D505ZC	5	1	5.6	1	11.6	5	19	8	15	8/20	150	SOD523	5C∞	1.2x0.8x0.6	Audio			<input type="radio"/>	<input type="radio"/>	<input type="radio"/>	<input type="radio"/>
BV-D505ZCA	5	1	5.8	1	9.8	1	15	20	30	8/20	300	SOD523	C	1.2x0.8x0.6	Audio			<input type="radio"/>	<input type="radio"/>	<input type="radio"/>	<input type="radio"/>
BV-D505ZCB	5	2	5.2	1	9.8	1	16	3	7	8/20	50	SOD523	LB	1.2x0.8x0.6	Audio			<input type="radio"/>	<input type="radio"/>	<input type="radio"/>	<input type="radio"/>
BV-D512ZA	12	0.1	14.1	1	23	3	29	6	100	8/20	174	SOD523	ZM	1.2x0.8x0.6	DC power			<input type="radio"/>	<input type="radio"/>	<input type="radio"/>	<input type="radio"/>
BV-FA2.5UCB	2.5	0.5	2.8	1	5	1	10	10	5	8/20	100	DFN1006-2	2V5Z	1.0x0.6x0.5	Ethernet			<input type="radio"/>	<input type="radio"/>	<input type="radio"/>	<input type="radio"/>
BV-FA05UC	5	1	6	1	12	1	14	2	0.5	8/20	25	DFN1006-2	S	1.0x0.6x0.5	HDMI			<input type="radio"/>	<input type="radio"/>	<input type="radio"/>	<input type="radio"/>
BV-FA05UCA	5	0.1	6	1	16	2	24	4	0.4	8/20	96	DFN1006-2	5BU	1.0x0.6x0.5	HDMI			<input type="radio"/>	<input type="radio"/>	<input type="radio"/>	<input type="radio"/>
BV-FA05UCB	5	0.05	6	1	8.3	1	10	4	0.5	8/20	40	DFN1006-2	5U	1.0x0.6x0.5	HDMI			<input type="radio"/>	<input type="radio"/>	<input type="radio"/>	<input type="radio"/>
BV-FA05UCD	5	0.05	6	1	9	1	11	7	1	8/20	77	DFN1006-2	5T	1.0x0.6x0.5	HDMI			<input type="radio"/>	<input type="radio"/>	<input type="radio"/>	<input type="radio"/>
BV-FA05ZC	5	1	6	1	11	1	15	4.5	15	8/20	75	DFN1006-2	PB	1.0x0.6x0.5	Cell phone			<input type="radio"/>	<input type="radio"/>	<input type="radio"/>	<input type="radio"/>
BV-FA03ZCD	3.3	1	4	1	7.6	1	15	6	15	8/20	70	DFN1006-2	3X	1.0x0.6x0.5	PDA			<input type="radio"/>	<input type="radio"/>	<input type="radio"/>	<input type="radio"/>
BV-FA05ZCD	5	0.5	5.6	1	10	1	12	5	18	8/20	60	DFN1006-2	PD	1.0x0.6x0.5	PDA			<input type="radio"/>	<input type="radio"/>	<input type="radio"/>	<input type="radio"/>
BV-FA03ZCB	3.3	1	3.5	1	6	1	10	7	12	8/20	70	DFN1006-2	T	1.0x0.6x0.5	Ethernet			<input type="radio"/>	<input type="radio"/>	<input type="radio"/>	<input type="radio"/>
BV-FA05UA	5	1	5.4	1	10	1	20	4	0.8	8/20	80	DFN1006-2	L	1.0x0.6x0.5	DC power			<input type="radio"/>	<input type="radio"/>	<input type="radio"/>	<input type="radio"/>
BV-FW05U6CA	5	1	6	1	16	1	/	/	0.35	8/20	20	DFN4120-10L	BCNxxx	4.1x2.0x0.5	HDMI			<input type="radio"/>	<input type="radio"/>	<input type="radio"/>	<input type="radio"/>
BV-E505U2A	5	1	6	1	12	1	25	4	0.8	8/20	100	SOT523	P5	1.6x0.8x0.8	eSATA			<input type="radio"/>	<input type="radio"/>	<input type="radio"/>	<input type="radio"/>
BV-E505U2B	5	0.1	6	1	12	1	15	4	0.8	8/20	60	SOT523	52L	1.6x0.8x0.8	eSATA			<input type="radio"/>	<input type="radio"/>	<input type="radio"/>	<input type="radio"/>
BV-F603UCA	3.3	0.05	6	1	/	/	12	3.5	0.35	8/20	42	DFN0603-2	JD	0.6x0.3x0.3	USB3.0			<input type="radio"/>	<input type="radio"/>	<input type="radio"/>	<input type="radio"/>
BV-D34.5ZCA	4.5	1	4.8	1	13	100	16	160	1500	8/20	2200	SOD-323	48D	1.6x1.3x1.2	DC power			<input type="radio"/>	<input type="radio"/>	<input type="radio"/>	<input type="radio"/>
BV-D303ZCA	3.3	40	4	1	7.5	1	16	25	200	8/20	400	SOD-323	2A	1.6x1.3x1.2	DC power			<input type="radio"/>	<input type="radio"/>	<input type="radio"/>	<input type="radio"/>
BV-D305ZCA	5	1	6	1	9.8	1	17	24	200	8/20	408	SOD-323	2B	1.6x1.3x1.2	DC power			<input type="radio"/>	<input type="radio"/>	<input type="radio"/>	<input type="radio"/>
BV-D308ZCA	8	1	8.5	1	13.4	1	20	18	100	8/20	360	SOD-323	2C	1.6x1.3x1.2	DC power			<input type="radio"/>	<input type="radio"/>	<input type="radio"/>	<input type="radio"/>
BV-D312ZCA	12	1	13.3	1	20	1	30	11	50	8/20	330	SOD-323	2D	1.6x1.3x1.2	DC power			<input type="radio"/>	<input type="radio"/>	<input type="radio"/>	<input type="radio"/>
BV-D315ZCA	15	1	16.7	1	25	1	36	9	45	8/20	324	SOD-323	2J	1.6x1.3x1.2	DC power			<input type="radio"/>	<input type="radio"/>	<input type="radio"/>	<input type="radio"/>
BV-D318ZCA	18	1	19.5	1	30	1	40	8	42	8/20	320	SOD-323	2K	1.6x1.3x1.2	DC power			<input type="radio"/>	<input type="radio"/>	<input type="radio"/>	<input type="radio"/>
BV-D324ZCA	24	1	26.7	1	45	1	50	5	40	8/20	250	SOD-323	2H	1.6x1.3x1.2	DC power			<input type="radio"/>	<input type="radio"/>	<input type="radio"/>	<input type="radio"/>
BV-D336ZCA	36	1	40	1	65	1	75	3	25	8/20	225	SOD-323	2N	1.6x1.3x1.2	DC power			<input type="radio"/>	<input type="radio"/>	<input type="radio"/>	<input type="radio"/>
BV-D303ZB	3.3	40	4	1	8	1	11	18	450	8/20	198	SOD-323	03W	1.6x1.3x1.2	DC power			<input type="radio"/>	<input type="radio"/>	<input type="radio"/>	<input type="radio"/>
BV-D305ZB	5	10	6	1	9.8	1	18	17	400	8/20	306	SOD-323	05W	1.6x1.3x1.2	DC power			<input type="radio"/>	<input type="radio"/>	<input type="radio"/>	<input type="radio"/>
BV-D312ZB	12	1	13.3	1	22	1	32	11	130	8/20	352	SOD-323	12W	1.6x1.3x1.2	DC power			<input type="radio"/>	<input type="radio"/>	<input type="radio"/>	<input type="radio"/>
BV-D315ZB	15	1	16.7	1	24	1	38	10	120	8/20	380	SOD-323	15W	1.6x1.3x1.2	DC power			<input type="radio"/>	<input type="radio"/>	<input type="radio"/>	<input type="radio"/>
BV-D324ZB	24	1	26.7	1	43	1	52	5.5	80	8/20	286	SOD-323	24W	1.6x1.3x1.2	DC power			<input type="radio"/>	<input type="radio"/>	<input type="radio"/>	<input type="radio"/>

Environmental Analysis
环境分析

Choose Standard
标准选择

Application Guide
方案设计

Select Components
器件选择

System Test
系统测试

Apply & Optimize
应用优化

产品型号 Part Number	不动作电压 Off state Voltage		击穿电压 Breakdown Voltage		钳位电压 Clamp Voltage		最大钳位电压 Clamp Voltage		结电容 Capacitance Co (pF) 0V@1MHZ Max	测试波形 Surge Waveform (μs)	功率 PP (W)	封装 Package	印字 Mark	尺寸 Size LxWxH(mm)	应用 Application	电路符号 Circuit	产品外观 Outline	认证 Certifisate			
	VDRM (V)	IDRM 25°C(μA) Max	VBR (V) Min	Ir (mA)	Vc (V) Max	@ IPP (A)	Vc (V) Max	@ IPP (A)										UL497B	UL1449	TUV	CQC
BV-D336ZB	36	1	40	1	60	1	75	3	60	8/20	225	SOD-323	36W	1.6x1.3x1.2	DC power			<input type="radio"/>	<input type="radio"/>	<input type="radio"/>	<input type="radio"/>
BV-T305Z2CA	5	5	6	1	9.8	1	17	24	200	8/20	400	SOT23-3	C05	2.9x2.4x1.0	DC power			<input type="radio"/>	<input type="radio"/>	<input type="radio"/>	<input type="radio"/>
BV-T308Z2CA	8	1	8.5	1	13.4	1	20	18	100	8/20	360	SOT23-3	C08	2.9x2.4x1.0	DC power			<input type="radio"/>	<input type="radio"/>	<input type="radio"/>	<input type="radio"/>
BV-T312Z2CA	12	1	13.3	1	20	1	30	11	50	8/20	330	SOT23-3	C12	2.9x2.4x1.0	DC power			<input type="radio"/>	<input type="radio"/>	<input type="radio"/>	<input type="radio"/>
BV-T315Z2CA	15	1	16.7	1	25	1	36	9	45	8/20	324	SOT23-3	C15	2.9x2.4x1.0	DC power			<input type="radio"/>	<input type="radio"/>	<input type="radio"/>	<input type="radio"/>
BV-T318Z2CA	18	1	20	1	30	1	40	8	45	8/20	320	SOT23-3	C18	2.9x2.4x1.0	DC power			<input type="radio"/>	<input type="radio"/>	<input type="radio"/>	<input type="radio"/>
BV-T324Z2CA	24	1	26.7	1	45	1	50	5	40	8/20	250	SOT23-3	C24	2.9x2.4x1.0	DC power			<input type="radio"/>	<input type="radio"/>	<input type="radio"/>	<input type="radio"/>
BV-T333Z2CA	33	1	34.6	1	58	1	60	4	30	8/20	240	SOT23-3	C33	2.9x2.4x1.0	DC power			<input type="radio"/>	<input type="radio"/>	<input type="radio"/>	<input type="radio"/>
BV-T336Z2CA	36	1	40	1	65	1	75	3	25	8/20	225	SOT23-3	C36	2.9x2.4x1.0	DC power			<input type="radio"/>	<input type="radio"/>	<input type="radio"/>	<input type="radio"/>
BV-T303Z2B	3.3	40	4	1	7.5	1	12	20	450	8/20	240	SOT23-3	M03	2.9x2.4x1.0	DC power			<input type="radio"/>	<input type="radio"/>	<input type="radio"/>	<input type="radio"/>
BV-T305Z2B	5	10	6	1	9.8	1	18	17	400	8/20	306	SOT23-3	M05	2.9x2.4x1.0	DC power			<input type="radio"/>	<input type="radio"/>	<input type="radio"/>	<input type="radio"/>
BV-T312Z2B	12	1	13.3	1	22	1	32	11	130	8/20	352	SOT23-3	M12	2.9x2.4x1.0	DC power			<input type="radio"/>	<input type="radio"/>	<input type="radio"/>	<input type="radio"/>
BV-T315Z2B	15	1	16.7	1	24	1	38	10	120	8/20	380	SOT23-3	M15	2.9x2.4x1.0	DC power			<input type="radio"/>	<input type="radio"/>	<input type="radio"/>	<input type="radio"/>
BV-T324Z2B	24	1	26.7	1	43	1	52	5.5	80	8/20	286	SOT23-3	M24	2.9x2.4x1.0	DC power			<input type="radio"/>	<input type="radio"/>	<input type="radio"/>	<input type="radio"/>
BV-T336Z2B	36	1	40	1	60	1	75	3	60	8/20	225	SOT23-3	M36	2.9x2.4x1.0	DC power			<input type="radio"/>	<input type="radio"/>	<input type="radio"/>	<input type="radio"/>
BV-T305U2A	5	0.1	6	1	10	1	15	4	0.4	8/20	60	SOT23-3	52L	2.9x2.4x1.0	eSATA			<input type="radio"/>	<input type="radio"/>	<input type="radio"/>	<input type="radio"/>
BV-P806Z2A	6	25	6.8	1	14	25	20	100	20	8/20	2000	SOP8	0306	4.9x3.9x1.5	Ethernet			<input type="radio"/>	<input type="radio"/>	<input type="radio"/>	<input type="radio"/>
BV-P803Z2A	3.3	1	3.5	0.002	/	/	20	100	25	8/20	2000	SOP8	LC03-3.3	4.9x3.9x1.5	Ethernet			<input type="radio"/>	<input type="radio"/>	<input type="radio"/>	<input type="radio"/>
BV-P858Z4A	58	0.5	62	1	/	/	100	24	400	8/20	2700	SOP8	Z58A	4.9x3.9x1.5	DC power			<input type="radio"/>	<input type="radio"/>	<input type="radio"/>	<input type="radio"/>
BV-SLVU2.8-4	2.8	0.1	3.5	1	5.8	1	18	24	3	8/20	450	SOP8	LC3304EP8	4.9x3.9x1.5	Ethernet			<input type="radio"/>	<input type="radio"/>	<input type="radio"/>	<input type="radio"/>
BV-P82.8U4CA	2.8	0.05	2.8	50	5	1	10	10	1.5	8/20	100	SOP8	UP8A	4.9x3.9x1.5	Ethernet			<input type="radio"/>	<input type="radio"/>	<input type="radio"/>	<input type="radio"/>
BV-E305U2A	5	1	6	1	10	1	15	3	0.6	8/20	60	SOT323	52L	2.0x1.2x1.0	eSATA			<input type="radio"/>	<input type="radio"/>	<input type="radio"/>	<input type="radio"/>
BV-F603ZCA	3.3	0.1	3.5	1	6	1	10	9	10	8/20	90	DFN0603-2	A3	0.6x0.3x0.3	Cell phone			<input type="radio"/>	<input type="radio"/>	<input type="radio"/>	<input type="radio"/>
BV-F605ZCD	5	0.1	6	1	8	1	12	6	15	8/20	96	DFN0603-2	A5	0.6x0.3x0.3	Cell phone			<input type="radio"/>	<input type="radio"/>	<input type="radio"/>	<input type="radio"/>
BV-F605UCF	5	0.5	6	1	15	1	25	4	0.3	8/20	100	DFN0603-2	F5	0.6x0.3x0.3	Cell phone			<input type="radio"/>	<input type="radio"/>	<input type="radio"/>	<input type="radio"/>
BV-F607ZCA	7	1	7.2	50	10	1	15	6	10	8/20	90	DFN0603-2	A7	0.6x0.3x0.3	Cell phone			<input type="radio"/>	<input type="radio"/>	<input type="radio"/>	<input type="radio"/>
BV-F612ZCB	12	1	13	1	16	1	20	6	5	8/20	120	DFN0603-2	Dc	0.6x0.3x0.3	Cell phone			<input type="radio"/>	<input type="radio"/>	<input type="radio"/>	<input type="radio"/>
BV-FA03ZCT	3.3	0.1	3.5	1	7	1	10	6	12	8/20	60	DFN1006-2	3A	1.0x0.6x0.5	Cell phone			<input type="radio"/>	<input type="radio"/>	<input type="radio"/>	<input type="radio"/>
BV-FA03ZCE	3.3	0.1	3.5	50	6	1	10	9	10	8/20	90	DFN1006-2	3A	1.0x0.6x0.5	Cell phone			<input type="radio"/>	<input type="radio"/>	<input type="radio"/>	<input type="radio"/>
BV-FA4.5ZCA	4.5	1	4.6	1	7	1	15	35	65	8/20	600	DFN1006-2	4G	1.0x0.6x0.5	Cell phone			<input type="radio"/>	<input type="radio"/>	<input type="radio"/>	<input type="radio"/>
BV-FA05ZCT	5	1.5	5.3	1	9	1	12.5	6	15	8/20	75	DFN1006-2	5A	1.0x0.6x0.5	Cell phone			<input type="radio"/>	<input type="radio"/>	<input type="radio"/>	<input type="radio"/>
BV-FA05ZCK	5	1	5.5	1	7.5	1	11	35	75	8/20	385	DFN1006-2	5G	1.0x0.6x0.5	Cell phone			<input type="radio"/>	<input type="radio"/>	<input type="radio"/>	<input type="radio"/>

Environmental Analysis
环境分析

Choose Standard
标准选择

Application Guide
方案设计

Select Components
器件选择

System Test
系统测试

Apply & Optimize
应用优化

产品型号 Part Number	不动作电压 Off state Voltage		击穿电压 Breakdown Voltage		钳位电压 Clamp Voltage		最大钳位电压 Clamp Voltage		结电容 Capacitance Co (pF) 0V@1MHZ Max	测试波形 Surge Waveform (μ s)	功率 PPW (W)	封装 Package	印字 Mark	尺寸 Size LxWxH(mm)	应用 Application	电路符号 Circuit	产品外观 Outline	认证 Certifisate			
	VDRM (V)	IDRM 25°C(μ A) Max	VBR (V) Min	Ir (mA)	Vc (V) Max	@ IPP (A)	Vc (V) Max	@ IPP (A)										UL497B	UL1449	TUV	CQC
BV-FA05U2A	5	1	6	1	12	1	/	/	0.7	8/20	20	DFN1006-3	L	1.0x0.6x0.5	Cell phone			<input type="radio"/>	<input type="radio"/>	<input type="radio"/>	<input type="radio"/>
BV-FA06ZD	6	1	7.2	1	10	1	15	21	180	8/20	315	DFN1006-2	7Q	1.0x0.6x0.5	Cell phone			<input type="radio"/>	<input type="radio"/>	<input type="radio"/>	<input type="radio"/>
BV-FA07ZCA	7	0.1	7.2	1	10	1	15	6	10	8/20	90	DFN1006-2	7A	1.0x0.6x0.5	Cell phone			<input type="radio"/>	<input type="radio"/>	<input type="radio"/>	<input type="radio"/>
BV-FA12ZCB	12	0.1	13	1	16	1	20	6	5	8/20	120	DFN1006-2	cD	1.0x0.6x0.5	pc			<input type="radio"/>	<input type="radio"/>	<input type="radio"/>	<input type="radio"/>
BV-FA15ZCB	15	0.1	15.5	1	20	1	25	6	5	8/20	140	DFN1006-2	fD	1.0x0.6x0.5	Cell phone			<input type="radio"/>	<input type="radio"/>	<input type="radio"/>	<input type="radio"/>
BV-FA18ZCB	18	1	19.5	1	27	1	47	4	22	8/20	180	DFN1006-2	DF	1.0x0.6x0.5	Cell phone			<input type="radio"/>	<input type="radio"/>	<input type="radio"/>	<input type="radio"/>
BV-FA24ZCB	24	1	26.7	1	/	/	50	3	18	8/20	200	DFN1006-2	Z24C	1.0x0.6x0.5	DC power			<input type="radio"/>	<input type="radio"/>	<input type="radio"/>	<input type="radio"/>
BV-D503ZA	3.3	1	4	1	/	/	14	7.5	105	8/20	105	SOD523	ZE ∞	1.2x0.8x0.6	VGA			<input type="radio"/>	<input type="radio"/>	<input type="radio"/>	<input type="radio"/>
BV-D505ZA	5	1	5.6	1	/	/	15	7	80	8/20	105	SOD523	ZF ∞	1.2x0.8x0.6	VGA			<input type="radio"/>	<input type="radio"/>	<input type="radio"/>	<input type="radio"/>
BV-D505ZCD	5	1	5.6	1	9.5	1	15	5	15	8/20	75	SOD523	5C ∞	1.2x0.8x0.6	VGA			<input type="radio"/>	<input type="radio"/>	<input type="radio"/>	<input type="radio"/>
BV-D505ZCG	5	1	5.3	1	10	5	12	20	38	8/20	200	SOD523	5B	1.2x0.8x0.6	Cell phone			<input type="radio"/>	<input type="radio"/>	<input type="radio"/>	<input type="radio"/>
BV-D505UCA	5	2	5.6	1	12	1	15	2	3	8/20	30	SOD523	5B	1.2x0.8x0.6	Cell phone			<input type="radio"/>	<input type="radio"/>	<input type="radio"/>	<input type="radio"/>
BV-D505UCB	5	0.5	6	1	/	/	20.5	6.5	0.7	8/20	130	SOD523	5B	1.2x0.8x0.6	Cell phone			<input type="radio"/>	<input type="radio"/>	<input type="radio"/>	<input type="radio"/>
BV-D515ZA	15	0.5	16	1	/	/	30	4	28	8/20	120	SOD523	ZN ∞	1.2x0.8x0.6	VGA			<input type="radio"/>	<input type="radio"/>	<input type="radio"/>	<input type="radio"/>
BV-D524ZA	24	1	26	1	/	/	50	3	80	8/20	150	SOD523	5S	1.2x0.8x0.6	Cell phone			<input type="radio"/>	<input type="radio"/>	<input type="radio"/>	<input type="radio"/>
BV-FE03U2D	3.3	1	4.5	1	/	/	18	4	0.35	8/20	100	DFN1610-6L	GA	1.6x1.0x0.5	10G Ethernet			<input type="radio"/>	<input type="radio"/>	<input type="radio"/>	<input type="radio"/>
BV-FK03U4CB	3.3	1	4	1	/	/	10	5	0.65	8/20	50	DFN-2510-10L	T6XXXX	2.5x1.0x0.5	HDMI			<input type="radio"/>	<input type="radio"/>	<input type="radio"/>	<input type="radio"/>
BV-FK05U4CB	5	1	6	1	/	/	10	5	0.65	8/20	50	DFN-2510-10L	T4XXXX	2.5x1.0x0.5	HDMI			<input type="radio"/>	<input type="radio"/>	<input type="radio"/>	<input type="radio"/>
BV-T603U4CA	3.3	1	4.5	1	8.5	1	15	4	0.8	8/20	60	SOT23-6	Bc03	2.9x2.4x1.0	Video			<input type="radio"/>	<input type="radio"/>	<input type="radio"/>	<input type="radio"/>
BV-T605U4CE	5	1	7	1	/	/	12	6	1.6	8/20	72	SOT23-6	1208 5U	2.9x2.4x1.0	Video			<input type="radio"/>	<input type="radio"/>	<input type="radio"/>	<input type="radio"/>
BV-T605U4CF	5	1	6	1	/	/	15	4	0.7	8/20	60	SOT23-6	0544	2.9x2.4x1.0	Video			<input type="radio"/>	<input type="radio"/>	<input type="radio"/>	<input type="radio"/>
BV-FE12ZA	12	1	13	1	/	/	24	60	1500	8/20	1400	DFN1610-2L	Z12A	1.6x1.0x0.5	DC power			<input type="radio"/>	<input type="radio"/>	<input type="radio"/>	<input type="radio"/>
BV-FE15ZA	15	1	15.5	1	/	/	35	50	450	8/20	1400	DFN1610-2L	Z15A	1.6x1.0x0.5	DC power			<input type="radio"/>	<input type="radio"/>	<input type="radio"/>	<input type="radio"/>
BV-SM712	7 12	10 2	7.5 13.3	1 1	/ /	/ /	17 12	22 26	55 55	8/20	450	SOT23	M72	2.9x2.4x1.0	RS485			<input type="radio"/>	<input type="radio"/>	<input type="radio"/>	<input type="radio"/>
BV03CWQ	3	0.5	3.5	1	5.8	1	15	10	1.5	8/20	150	SOD-323	CA1	1.6x1.3x1.2	Ethernet			<input type="radio"/>	<input type="radio"/>	<input type="radio"/>	<input type="radio"/>
BV03CQ	3	20	4	1	5.15	1	13.9	8	1.5	8/20	150	SOD-323	CC	1.6x1.3x1.2	Ethernet			<input type="radio"/>	<input type="radio"/>	<input type="radio"/>	<input type="radio"/>
BV05CQ	5	5	6	1	9.8	1	18.3	8	1.5	8/20	150	SOD-323	AC	1.6x1.3x1.2	xDSL			<input type="radio"/>	<input type="radio"/>	<input type="radio"/>	<input type="radio"/>
BV08CQ	8	2	8.5	1	13.4	1	18.5	8	1.5	8/20	150	SOD-323	BC	1.6x1.3x1.2	xDSL			<input type="radio"/>	<input type="radio"/>	<input type="radio"/>	<input type="radio"/>
BV12CQ	12	1	13.3	1	19	1	28.6	6	1.5	8/20	150	SOD-323	DC	1.6x1.3x1.2	xDSL			<input type="radio"/>	<input type="radio"/>	<input type="radio"/>	<input type="radio"/>
BV15CQ	15	1	16.7	1	24	1	31.8	5	1.5	8/20	150	SOD-323	EC	1.6x1.3x1.2	xDSL			<input type="radio"/>	<input type="radio"/>	<input type="radio"/>	<input type="radio"/>
BV24CQ	24	1	26.7	1	43	1	56	3	1.5	8/20	150	SOD-323	HC	1.6x1.3x1.2	xDSL			<input type="radio"/>	<input type="radio"/>	<input type="radio"/>	<input type="radio"/>
BV-FK05U4CAQ	5	0.5	6	1	/	/	15	3	0.6	8/20	45	DFN-2510-10L	0524P	2.5x1.0x0.5	HDMI			<input type="radio"/>	<input type="radio"/>	<input type="radio"/>	<input type="radio"/>

Environmental Analysis
环境分析

Choose Standard
选择标准

Application Guide
方案设计

Select Components
器件选择

System Test
系统测试

Apply & Optimize
应用优化

产品型号 Part Number	不动作电压 Off state Voltage		击穿电压 Breakdown Voltage		钳位电压 Clamp Voltage		最大钳位电压 Clamp Voltage		结电容 Capacitance Co (pF) 0V@1MHZ Max	测试波形 Surge Waveform (μs)	功率 P _{PP} (W)	封装 Package	印字 Mark	尺寸 Size LxWxH(mm)	应用 Application	电路符号 Circuit	产品外观 Outline	认证 Certifisate			
	V _{DRM} (V)	I _{DRM} 25°C(μA) Max	V _{BR} (V) Min	I _r (mA)	V _c (V) Max	@ I _{PP} (A)	V _c (V) Max	@ I _{PP} (A)										UL497B	UL1449	TUV	CQC
BV-D505ZCQ	5	1	5.6	1	11.6	5	19	8	15	8/20	150	SOD523	5C∞	1.2x0.8x0.6	Audio			<input type="checkbox"/>	<input type="checkbox"/>	<input type="checkbox"/>	<input type="checkbox"/>
BV-FA05ZCQ	5	1	6	1	11	1	15	4.5	15	8/20	75	DFN1006-2	PB	1.0x0.6x0.5	Cell phone			<input type="checkbox"/>	<input type="checkbox"/>	<input type="checkbox"/>	<input type="checkbox"/>
BV-D303ZCBQ	3.3	40	4	1	9	1	15	20	450	8/20	300	SOD-323	2A	1.6x1.3x1.2	DC power			<input type="checkbox"/>	<input type="checkbox"/>	<input type="checkbox"/>	<input type="checkbox"/>
BV-D305ZCBQ	5	10	6	1	9.8	1	18	17	200	8/20	306	SOD-323	2B	1.6x1.3x1.2	DC power			<input type="checkbox"/>	<input type="checkbox"/>	<input type="checkbox"/>	<input type="checkbox"/>
BV-D312ZCBQ	12	1	13.3	1	20	1	32	11	75	8/20	352	SOD-323	2D	1.6x1.3x1.2	DC power			<input type="checkbox"/>	<input type="checkbox"/>	<input type="checkbox"/>	<input type="checkbox"/>
BV-D315ZCBQ	15	1	16.7	1	25	1	36	9	68	8/20	324	SOD-323	2J	1.6x1.3x1.2	DC power			<input type="checkbox"/>	<input type="checkbox"/>	<input type="checkbox"/>	<input type="checkbox"/>
BV-D324ZCBQ	24	1	26.7	1	45	1	50	5.5	50	8/20	275	SOD-323	2H	1.6x1.3x1.2	DC power			<input type="checkbox"/>	<input type="checkbox"/>	<input type="checkbox"/>	<input type="checkbox"/>
BV-D336ZCBQ	36	1	40	1	65	1	75	3	35	8/20	225	SOD-323	2N	1.6x1.3x1.2	DC power			<input type="checkbox"/>	<input type="checkbox"/>	<input type="checkbox"/>	<input type="checkbox"/>
BV-T305Z2CBQ	5	10	6	1	9.8	1	18	17	200	8/20	306	SOT23-3	C05	2.9x2.4x1.0	DC power			<input type="checkbox"/>	<input type="checkbox"/>	<input type="checkbox"/>	<input type="checkbox"/>
BV-T312Z2CBQ	12	1	13.3	1	19	1	32	11	75	8/20	352	SOT23-3	C12	2.9x2.4x1.0	DC power			<input type="checkbox"/>	<input type="checkbox"/>	<input type="checkbox"/>	<input type="checkbox"/>
BV-T315Z2CBQ	15	1	16.7	1	24	1	38	10	68	8/20	380	SOT23-3	C15	2.9x2.4x1.0	DC power			<input type="checkbox"/>	<input type="checkbox"/>	<input type="checkbox"/>	<input type="checkbox"/>
BV-T324Z2CBQ	24	1	26.7	1	45	1	52	5.5	50	8/20	286	SOT23-3	C24	2.9x2.4x1.0	DC power			<input type="checkbox"/>	<input type="checkbox"/>	<input type="checkbox"/>	<input type="checkbox"/>
BV-T336Z2CBQ	36	1	40	1	60	1	75	3	35	8/20	225	SOT23-3	C36	2.9x2.4x1.0	DC power			<input type="checkbox"/>	<input type="checkbox"/>	<input type="checkbox"/>	<input type="checkbox"/>
BV-T303Z2CBQ	3.3	40	4	1	9	1	15	20	450	8/20	300	SOT23-3	C03	2.9x2.4x1.0	DC power			<input type="checkbox"/>	<input type="checkbox"/>	<input type="checkbox"/>	<input type="checkbox"/>
BV-FA05ZCTQ	5	1	6	1	11	1	13	4.5	18	8/20	60	DFN1006-2	PB	1.0x0.6x0.5	Cell phone			<input type="checkbox"/>	<input type="checkbox"/>	<input type="checkbox"/>	<input type="checkbox"/>
BVF-D505ZAQ	5	1	6	1	11	5	13	12	30	8/20	144	SOD523	FZB	1.6x0.8x0.6	DC power			<input type="checkbox"/>	<input type="checkbox"/>	<input type="checkbox"/>	<input type="checkbox"/>


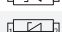
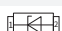
产品型号 Part Number	断态电压 Off state Voltage		触发转折电压 Switching Trigger		门极反向漏电流 Gate reverse current		正向通态电压 forward voltage		门极触发电压 Gate trigger Voltage		结电容 Capacitance Co (pF) 2V@1MHZ Max	测试波形 Surge Waveform (μs)	通流能力 Surge Peak (KV)	封装 Package	尺寸 Size L*W*H (mm)	印字 Mark	应用 Application	电路符号 Circuit	产品外观 Outline	体系认证 Remarks					
	V _{DRM} (V)	I _D (μA) Max	V _S (V) Max	Waveform	V _{GK} (V)	I _{Gas} (μA) Max	V _F (V) Max	I _F (A)	V _{GT} (V) Max	I _{GT} (mA) Max										UL497B	UL1449	TUV	CQC		
BS61089B-8	-170	5	-112	2/10μs	-167	5	3	5	2.5	5	100	10/700	1.6	SOP8	4.9x6.0x1.7	B61089B	SLIC			<input type="checkbox"/>	<input type="checkbox"/>	<input type="checkbox"/>	<input type="checkbox"/>		
BS61089D-8	-170	5	-64	10/700μs	-167	5	3	5	2.5	5	100	10/700	1.6	SOP8	4.9x6.0x1.7	B61089D	SLIC			<input type="checkbox"/>	<input type="checkbox"/>	<input type="checkbox"/>	<input type="checkbox"/>		
																					<input type="checkbox"/>	<input type="checkbox"/>	<input type="checkbox"/>	<input type="checkbox"/>	
																						<input type="checkbox"/>	<input type="checkbox"/>	<input type="checkbox"/>	<input type="checkbox"/>
																						<input type="checkbox"/>	<input type="checkbox"/>	<input type="checkbox"/>	<input type="checkbox"/>
																						<input type="checkbox"/>	<input type="checkbox"/>	<input type="checkbox"/>	<input type="checkbox"/>
																						<input type="checkbox"/>	<input type="checkbox"/>	<input type="checkbox"/>	<input type="checkbox"/>

产品型号 Part Number	功率 P _{PP} (mW)	稳定电压 V _Z @I _{ZT} (V)	公差 Tolerance	最大稳定电流 I _{ZT} (mA)	动态阻抗 Z _{ZT} @I _{ZT} (Ω)	反向阻抗 Z _K @I _{ZK}	反向击穿电流 I _{ZK} (mA)	反向漏流 I _R (μA)	正向压降 V _R (V)	封装 Package	尺寸 Size LxWxH(mm)	应用 Application	内部电路 Circuit	外观 Outline	认证 Certifisate			
															UL497B	UL1449	TUV	CQC
BW-D1D5V1T1G-2	350	5.1	2%	5	60	480	1	2	2	SOD-123	3.6x1.55x1.2	DC power			<input type="radio"/>	<input type="radio"/>	<input type="radio"/>	<input type="radio"/>
BW-D1D5V6T1G-2	350	5.6	2%	5	40	400	1	1	2	SOD-123	3.6x1.55x1.2	DC power			<input type="radio"/>	<input type="radio"/>	<input type="radio"/>	<input type="radio"/>
BW-D1D6V2T1G-2	350	6.2	2%	5	10	150	1	3	4	SOD-123	3.6x1.55x1.2	DC power			<input type="radio"/>	<input type="radio"/>	<input type="radio"/>	<input type="radio"/>
BW-D1D6V8T1G-2	350	6.8	2%	5	15	80	1	2	4	SOD-123	3.6x1.55x1.2	DC power			<input type="radio"/>	<input type="radio"/>	<input type="radio"/>	<input type="radio"/>
BW-D1D7V5T1G-2	350	7.5	2%	5	15	80	1	1	5	SOD-123	3.6x1.55x1.2	DC power			<input type="radio"/>	<input type="radio"/>	<input type="radio"/>	<input type="radio"/>
BW-D1D8V2T1G-2	350	8.2	2%	5	15	80	1	0.7	5	SOD-123	3.6x1.55x1.2	DC power			<input type="radio"/>	<input type="radio"/>	<input type="radio"/>	<input type="radio"/>
BW-D1D9V1T1G-2	350	9.1	2%	5	15	100	1	0.5	6	SOD-123	3.6x1.55x1.2	DC power			<input type="radio"/>	<input type="radio"/>	<input type="radio"/>	<input type="radio"/>
BW-D1D10VT1G-2	350	10	2%	5	20	150	1	0.2	7	SOD-123	3.6x1.55x1.2	DC power			<input type="radio"/>	<input type="radio"/>	<input type="radio"/>	<input type="radio"/>
BW-D1D11VT1G-2	350	11	2%	5	20	150	1	0.1	8	SOD-123	3.6x1.55x1.2	DC power			<input type="radio"/>	<input type="radio"/>	<input type="radio"/>	<input type="radio"/>
BW-D1D12VT1G-2	350	12	2%	5	25	150	1	0.1	8	SOD-123	3.6x1.55x1.2	DC power			<input type="radio"/>	<input type="radio"/>	<input type="radio"/>	<input type="radio"/>
BW-D1D13VT1G-2	350	13	2%	5	30	170	1	0.1	8	SOD-123	3.6x1.55x1.2	DC power			<input type="radio"/>	<input type="radio"/>	<input type="radio"/>	<input type="radio"/>
BW-D1D15VT1G-2	350	15	2%	5	30	200	1	0.1	10.5	SOD-123	3.6x1.55x1.2	DC power			<input type="radio"/>	<input type="radio"/>	<input type="radio"/>	<input type="radio"/>
BW-D1D16VT1G-2	350	16	2%	5	40	200	1	0.1	11.2	SOD-123	3.6x1.55x1.2	DC power			<input type="radio"/>	<input type="radio"/>	<input type="radio"/>	<input type="radio"/>
BW-D1D18VT1G-2	350	18	2%	5	45	225	1	0.1	12.6	SOD-123	3.6x1.55x1.2	DC power			<input type="radio"/>	<input type="radio"/>	<input type="radio"/>	<input type="radio"/>
BW-D1D20VT1G-2	350	20	2%	5	55	225	1	0.1	14	SOD-123	3.6x1.55x1.2	DC power			<input type="radio"/>	<input type="radio"/>	<input type="radio"/>	<input type="radio"/>
BW-D1D2V4T1G-5	350	2.4	5%	20	30	1200	0.25	100	1	SOD-123	3.6x1.55x1.2	DC power			<input type="radio"/>	<input type="radio"/>	<input type="radio"/>	<input type="radio"/>
BW-D1D2V7T1G-5	350	2.7	5%	20	30	1300	0.25	75	1	SOD-123	3.6x1.55x1.2	DC power			<input type="radio"/>	<input type="radio"/>	<input type="radio"/>	<input type="radio"/>
BW-D1D3V0T1G-5	350	3	5%	20	30	1600	0.25	50	1	SOD-123	3.6x1.55x1.2	DC power			<input type="radio"/>	<input type="radio"/>	<input type="radio"/>	<input type="radio"/>
BW-D1D3V3T1G-5	350	3.3	5%	20	28	1600	0.25	25	1	SOD-123	3.6x1.55x1.2	DC power			<input type="radio"/>	<input type="radio"/>	<input type="radio"/>	<input type="radio"/>
BW-D1D3V6T1G-5	350	3.6	5%	20	24	1700	0.25	15	1	SOD-123	3.6x1.55x1.2	DC power			<input type="radio"/>	<input type="radio"/>	<input type="radio"/>	<input type="radio"/>
BW-D1D3V9T1G-5	350	3.9	5%	20	23	1900	0.25	10	1	SOD-123	3.6x1.55x1.2	DC power			<input type="radio"/>	<input type="radio"/>	<input type="radio"/>	<input type="radio"/>
BW-D1D4V3T1G-5	350	4.3	5%	20	22	2000	0.25	5	1	SOD-123	3.6x1.55x1.2	DC power			<input type="radio"/>	<input type="radio"/>	<input type="radio"/>	<input type="radio"/>
BW-D1D4V7T1G-5	350	4.7	5%	20	19	1900	0.25	5	2	SOD-123	3.6x1.55x1.2	DC power			<input type="radio"/>	<input type="radio"/>	<input type="radio"/>	<input type="radio"/>
BW-D1D5V1T1G-5	350	5.1	5%	20	17	1600	0.25	5	2	SOD-123	3.6x1.55x1.2	DC power			<input type="radio"/>	<input type="radio"/>	<input type="radio"/>	<input type="radio"/>
BW-D1D5V6T1G-5	350	5.6	5%	20	11	1600	0.25	5	3	SOD-123	3.6x1.55x1.2	DC power			<input type="radio"/>	<input type="radio"/>	<input type="radio"/>	<input type="radio"/>
BW-D1D6V0T1G-5	350	6	5%	20	7	1600	0.25	5	3.5	SOD-123	3.6x1.55x1.2	DC power			<input type="radio"/>	<input type="radio"/>	<input type="radio"/>	<input type="radio"/>
BW-D1D6V2T1G-5	350	6.2	5%	20	7	1000	0.25	5	4	SOD-123	3.6x1.55x1.2	DC power			<input type="radio"/>	<input type="radio"/>	<input type="radio"/>	<input type="radio"/>
BW-D1D6V8T1G-5	350	6.8	5%	20	5	750	0.25	3	5	SOD-123	3.6x1.55x1.2	DC power			<input type="radio"/>	<input type="radio"/>	<input type="radio"/>	<input type="radio"/>
BW-D1D7V5T1G-5	350	7.5	5%	20	6	500	0.25	3	6	SOD-123	3.6x1.55x1.2	DC power			<input type="radio"/>	<input type="radio"/>	<input type="radio"/>	<input type="radio"/>
BW-D1D8V2T1G-5	350	8.2	5%	20	8	500	0.25	3	6.5	SOD-123	3.6x1.55x1.2	DC power			<input type="radio"/>	<input type="radio"/>	<input type="radio"/>	<input type="radio"/>
BW-D1D8V7T1G-5	350	8.7	5%	20	8	600	0.25	3	6.5	SOD-123	3.6x1.55x1.2	DC power			<input type="radio"/>	<input type="radio"/>	<input type="radio"/>	<input type="radio"/>
BW-D1D9V1T1G-5	350	9.1	5%	20	10	600	0.25	3	7	SOD-123	3.6x1.55x1.2	DC power			<input type="radio"/>	<input type="radio"/>	<input type="radio"/>	<input type="radio"/>

产品型号 Part Number	功率 P _{PP} (mW)	稳定电压 V _Z @I _{ZT} (V)	公差 Tolerance	最大稳定电流 I _{ZT} (mA)	动态阻抗 Z _{ZT} @I _{ZT} (Ω)	反向阻抗 Z _K @I _{ZK}	反向击穿电流 I _{ZK} (mA)	反向漏流 I _R (μA)	正向压降 V _R (V)	封装 Package	尺寸 Size LxWxH(mm)	应用 Application	内部电路 Circuit	外观 Outline	认证 Certificate			
															UL497B	UL1449	TUV	CQC
BW-D1D10VT1G-5	350	10	5%	20	17	600	0.25	3	8	SOD-123	3.6x1.55x1.2	DC power			<input type="checkbox"/>	<input type="checkbox"/>	<input type="checkbox"/>	<input type="checkbox"/>
BW-D1D11VT1G-5	350	11	5%	20	22	600	0.25	2	8.4	SOD-123	3.6x1.55x1.2	DC power			<input type="checkbox"/>	<input type="checkbox"/>	<input type="checkbox"/>	<input type="checkbox"/>
BW-D1D12VT1G-5	350	12	5%	20	30	600	0.25	1	9.1	SOD-123	3.6x1.55x1.2	DC power			<input type="checkbox"/>	<input type="checkbox"/>	<input type="checkbox"/>	<input type="checkbox"/>
BW-D1D13VT1G-5	350	13	5%	9.5	13	600	0.25	0.5	9.9	SOD-123	3.6x1.55x1.2	DC power			<input type="checkbox"/>	<input type="checkbox"/>	<input type="checkbox"/>	<input type="checkbox"/>
BW-D1D14VT1G-5	350	14	5%	9	15	600	0.25	0.1	10	SOD-123	3.6x1.55x1.2	DC power			<input type="checkbox"/>	<input type="checkbox"/>	<input type="checkbox"/>	<input type="checkbox"/>
BW-D1D15VT1G-5	350	15	5%	8.5	16	600	0.25	0.1	11	SOD-123	3.6x1.55x1.2	DC power			<input type="checkbox"/>	<input type="checkbox"/>	<input type="checkbox"/>	<input type="checkbox"/>
BW-D1D16VT1G-5	350	16	5%	7.8	17	600	0.25	0.1	12	SOD-123	3.6x1.55x1.2	DC power			<input type="checkbox"/>	<input type="checkbox"/>	<input type="checkbox"/>	<input type="checkbox"/>
BW-D1D18VT1G-5	350	18	5%	7	21	600	0.25	0.1	14	SOD-123	3.6x1.55x1.2	DC power			<input type="checkbox"/>	<input type="checkbox"/>	<input type="checkbox"/>	<input type="checkbox"/>
BW-D1D20VT1G-5	350	20	5%	6.2	25	600	0.25	0.1	15	SOD-123	3.6x1.55x1.2	DC power			<input type="checkbox"/>	<input type="checkbox"/>	<input type="checkbox"/>	<input type="checkbox"/>
BW-D1D22VT1G-5	350	22	5%	5.6	29	600	0.25	0.1	17	SOD-123	3.6x1.55x1.2	DC power			<input type="checkbox"/>	<input type="checkbox"/>	<input type="checkbox"/>	<input type="checkbox"/>
BW-D1D24VT1G-5	350	24	5%	5.2	33	600	0.25	0.1	18	SOD-123	3.6x1.55x1.2	DC power			<input type="checkbox"/>	<input type="checkbox"/>	<input type="checkbox"/>	<input type="checkbox"/>
BW-D1D25VT1G-5	350	25	5%	5	35	600	0.25	0.1	19	SOD-123	3.6x1.55x1.2	DC power			<input type="checkbox"/>	<input type="checkbox"/>	<input type="checkbox"/>	<input type="checkbox"/>
BW-D1D27VT1G-5	350	27	5%	5	41	600	0.25	0.1	21	SOD-123	3.6x1.55x1.2	DC power			<input type="checkbox"/>	<input type="checkbox"/>	<input type="checkbox"/>	<input type="checkbox"/>
BW-D1D28VT1G-5	350	28	5%	4.5	44	600	0.25	0.1	21	SOD-123	3.6x1.55x1.2	DC power			<input type="checkbox"/>	<input type="checkbox"/>	<input type="checkbox"/>	<input type="checkbox"/>
BW-D1D30VT1G-5	350	30	5%	4.2	49	600	0.25	0.1	23	SOD-123	3.6x1.55x1.2	DC power			<input type="checkbox"/>	<input type="checkbox"/>	<input type="checkbox"/>	<input type="checkbox"/>
BW-D1D33VT1G-5	350	33	5%	3.8	58	700	0.25	0.1	25	SOD-123	3.6x1.55x1.2	DC power			<input type="checkbox"/>	<input type="checkbox"/>	<input type="checkbox"/>	<input type="checkbox"/>
BW-D1D36VT1G-5	350	36	5%	3.4	70	700	0.25	0.1	27	SOD-123	3.6x1.55x1.2	DC power			<input type="checkbox"/>	<input type="checkbox"/>	<input type="checkbox"/>	<input type="checkbox"/>
BW-D1D39VT1G-5	350	39	5%	3.2	80	800	0.25	0.1	30	SOD-123	3.6x1.55x1.2	DC power			<input type="checkbox"/>	<input type="checkbox"/>	<input type="checkbox"/>	<input type="checkbox"/>
BW-D1D2V4T1G-6	350	2.4	6%	5	100	600	1	50	1	SOD-123	3.6x1.55x1.2	DC power			<input type="checkbox"/>	<input type="checkbox"/>	<input type="checkbox"/>	<input type="checkbox"/>
BW-D1D2V7T1G-6	350	2.7	6%	5	100	600	1	20	1	SOD-123	3.6x1.55x1.2	DC power			<input type="checkbox"/>	<input type="checkbox"/>	<input type="checkbox"/>	<input type="checkbox"/>
BW-D1D3V0T1G-6	350	3	6%	5	95	600	1	10	1	SOD-123	3.6x1.55x1.2	DC power			<input type="checkbox"/>	<input type="checkbox"/>	<input type="checkbox"/>	<input type="checkbox"/>
BW-D1D3V3T1G-6	350	3.3	6%	5	95	600	1	5	1	SOD-123	3.6x1.55x1.2	DC power			<input type="checkbox"/>	<input type="checkbox"/>	<input type="checkbox"/>	<input type="checkbox"/>
BW-D1D3V6T1G-6	350	3.6	6%	5	90	600	1	5	1	SOD-123	3.6x1.55x1.2	DC power			<input type="checkbox"/>	<input type="checkbox"/>	<input type="checkbox"/>	<input type="checkbox"/>
BW-D1D3V9T1G-6	350	3.9	6%	5	90	600	1	3	1	SOD-123	3.6x1.55x1.2	DC power			<input type="checkbox"/>	<input type="checkbox"/>	<input type="checkbox"/>	<input type="checkbox"/>
BW-D1D4V3T1G-6	350	4.3	6%	5	90	600	1	3	1	SOD-123	3.6x1.55x1.2	DC power			<input type="checkbox"/>	<input type="checkbox"/>	<input type="checkbox"/>	<input type="checkbox"/>
BW-D1D4V7T1G-6	350	4.7	6%	5	80	500	1	3	2	SOD-123	3.6x1.55x1.2	DC power			<input type="checkbox"/>	<input type="checkbox"/>	<input type="checkbox"/>	<input type="checkbox"/>
BW-D1D5V1T1G-6	350	5.1	6%	5	60	480	1	2	2	SOD-123	3.6x1.55x1.2	DC power			<input type="checkbox"/>	<input type="checkbox"/>	<input type="checkbox"/>	<input type="checkbox"/>
BW-D1D5V6T1G-6	350	5.6	6%	5	40	400	1	1	2	SOD-123	3.6x1.55x1.2	DC power			<input type="checkbox"/>	<input type="checkbox"/>	<input type="checkbox"/>	<input type="checkbox"/>
BW-D1D6V2T1G-6	350	6.2	6%	5	10	150	1	3	4	SOD-123	3.6x1.55x1.2	DC power			<input type="checkbox"/>	<input type="checkbox"/>	<input type="checkbox"/>	<input type="checkbox"/>
BW-D1D6V8T1G-6	350	6.8	6%	5	15	80	1	2	4	SOD-123	3.6x1.55x1.2	DC power			<input type="checkbox"/>	<input type="checkbox"/>	<input type="checkbox"/>	<input type="checkbox"/>
BW-D1D7V5T1G-6	350	7.5	6%	5	15	80	1	1	5	SOD-123	3.6x1.55x1.2	DC power			<input type="checkbox"/>	<input type="checkbox"/>	<input type="checkbox"/>	<input type="checkbox"/>
BW-D1D8V2T1G-6	350	8.2	6%	5	15	80	1	0.7	5	SOD-123	3.6x1.55x1.2	DC power			<input type="checkbox"/>	<input type="checkbox"/>	<input type="checkbox"/>	<input type="checkbox"/>

产品型号 Part Number	功率 P _{PP} (mW)	稳定电压 V _Z @I _{ZT} (V)	公差 Tolerance	最大稳定电流 I _{ZT} (mA)	动态阻抗 Z _{ZT} @I _{ZT} (Ω)	反向阻抗 Z _K @I _{ZK}	反向击穿电流 I _{ZK} (mA)	反向漏流 I _R (μA)	正向压降 V _R (V)	封装 Package	尺寸 Size LxWxH(mm)	应用 Application	内部电路 Circuit	外观 Outline	认证 Certifisate			
															UL497B	UL1449	TUV	CQC
BW-D1G7V5T1G-5	500	7.5	5%	20	6	500	0.25	3	6	SOD-123	3.6x1.55x1.2	DC power			<input type="checkbox"/>	<input type="checkbox"/>	<input type="checkbox"/>	<input type="checkbox"/>
BW-D1G8V2T1G-5	500	8.2	5%	20	8	500	0.25	3	6.5	SOD-123	3.6x1.55x1.2	DC power			<input type="checkbox"/>	<input type="checkbox"/>	<input type="checkbox"/>	<input type="checkbox"/>
BW-D1G8V7T1G-5	500	8.7	5%	20	8	600	0.25	3	6.5	SOD-123	3.6x1.55x1.2	DC power			<input type="checkbox"/>	<input type="checkbox"/>	<input type="checkbox"/>	<input type="checkbox"/>
BW-D1G9V1T1G-5	500	9.1	5%	20	10	600	0.25	3	7	SOD-123	3.6x1.55x1.2	DC power			<input type="checkbox"/>	<input type="checkbox"/>	<input type="checkbox"/>	<input type="checkbox"/>
BW-D1G10VT1G-5	500	10	5%	20	17	600	0.25	3	8	SOD-123	3.6x1.55x1.2	DC power			<input type="checkbox"/>	<input type="checkbox"/>	<input type="checkbox"/>	<input type="checkbox"/>
BW-D1G11VT1G-5	500	11	5%	20	22	600	0.25	2	8.4	SOD-123	3.6x1.55x1.2	DC power			<input type="checkbox"/>	<input type="checkbox"/>	<input type="checkbox"/>	<input type="checkbox"/>
BW-D1G12VT1G-5	500	12	5%	20	30	600	0.25	1	9.1	SOD-123	3.6x1.55x1.2	DC power			<input type="checkbox"/>	<input type="checkbox"/>	<input type="checkbox"/>	<input type="checkbox"/>
BW-D1G13VT1G-5	500	13	5%	9.5	13	600	0.25	0.5	9.9	SOD-123	3.6x1.55x1.2	DC power			<input type="checkbox"/>	<input type="checkbox"/>	<input type="checkbox"/>	<input type="checkbox"/>
BW-D1G14VT1G-5	500	14	5%	9	15	600	0.25	0.1	10	SOD-123	3.6x1.55x1.2	DC power			<input type="checkbox"/>	<input type="checkbox"/>	<input type="checkbox"/>	<input type="checkbox"/>
BW-D1G15VT1G-5	500	15	5%	8.5	16	600	0.25	0.1	11	SOD-123	3.6x1.55x1.2	DC power			<input type="checkbox"/>	<input type="checkbox"/>	<input type="checkbox"/>	<input type="checkbox"/>
BW-D1G16VT1G-5	500	16	5%	7.8	17	600	0.25	0.1	12	SOD-123	3.6x1.55x1.2	DC power			<input type="checkbox"/>	<input type="checkbox"/>	<input type="checkbox"/>	<input type="checkbox"/>
BW-D1G17VT1G-5	500	17	5%	7.4	19	600	0.25	0.1	13	SOD-123	3.6x1.55x1.2	DC power			<input type="checkbox"/>	<input type="checkbox"/>	<input type="checkbox"/>	<input type="checkbox"/>
BW-D1G18VT1G-5	500	18	5%	7	21	600	0.25	0.1	14	SOD-123	3.6x1.55x1.2	DC power			<input type="checkbox"/>	<input type="checkbox"/>	<input type="checkbox"/>	<input type="checkbox"/>
BW-D1G20VT1G-5	500	20	5%	6.2	25	600	0.25	0.1	15	SOD-123	3.6x1.55x1.2	DC power			<input type="checkbox"/>	<input type="checkbox"/>	<input type="checkbox"/>	<input type="checkbox"/>
BW-D1G22VT1G-5	500	22	5%	5.6	29	600	0.25	0.1	17	SOD-123	3.6x1.55x1.2	DC power			<input type="checkbox"/>	<input type="checkbox"/>	<input type="checkbox"/>	<input type="checkbox"/>
BW-D1G24VT1G-5	500	24	5%	5.2	33	600	0.25	0.1	18	SOD-123	3.6x1.55x1.2	DC power			<input type="checkbox"/>	<input type="checkbox"/>	<input type="checkbox"/>	<input type="checkbox"/>
BW-D1G25VT1G-5	500	25	5%	5	35	600	0.25	0.1	19	SOD-123	3.6x1.55x1.2	DC power			<input type="checkbox"/>	<input type="checkbox"/>	<input type="checkbox"/>	<input type="checkbox"/>
BW-D1G27VT1G-5	500	27	5%	5	41	600	0.25	0.1	21	SOD-123	3.6x1.55x1.2	DC power			<input type="checkbox"/>	<input type="checkbox"/>	<input type="checkbox"/>	<input type="checkbox"/>
BW-D1G28VT1G-5	500	28	5%	4.5	44	600	0.25	0.1	21	SOD-123	3.6x1.55x1.2	DC power			<input type="checkbox"/>	<input type="checkbox"/>	<input type="checkbox"/>	<input type="checkbox"/>
BW-D1G30VT1G-5	500	30	5%	4.2	49	600	0.25	0.1	23	SOD-123	3.6x1.55x1.2	DC power			<input type="checkbox"/>	<input type="checkbox"/>	<input type="checkbox"/>	<input type="checkbox"/>
BW-D1G33VT1G-5	500	33	5%	3.8	58	700	0.25	0.1	25	SOD-123	3.6x1.55x1.2	DC power			<input type="checkbox"/>	<input type="checkbox"/>	<input type="checkbox"/>	<input type="checkbox"/>
BW-D1G36VT1G-5	500	36	5%	3.4	70	700	0.25	0.1	27	SOD-123	3.6x1.55x1.2	DC power			<input type="checkbox"/>	<input type="checkbox"/>	<input type="checkbox"/>	<input type="checkbox"/>
BW-D1G39VT1G-5	500	39	5%	3.2	80	800	0.25	0.1	30	SOD-123	3.6x1.55x1.2	DC power			<input type="checkbox"/>	<input type="checkbox"/>	<input type="checkbox"/>	<input type="checkbox"/>
BW-D1G43VT1G-5	500	43	5%	3	93	900	0.25	0.1	33	SOD-123	3.6x1.55x1.2	DC power			<input type="checkbox"/>	<input type="checkbox"/>	<input type="checkbox"/>	<input type="checkbox"/>
BW-D1G47VT1G-5	500	47	5%	2.7	105	1000	0.25	0.1	36	SOD-123	3.6x1.55x1.2	DC power			<input type="checkbox"/>	<input type="checkbox"/>	<input type="checkbox"/>	<input type="checkbox"/>
BW-D1G51VT1G-5	500	51	5%	2.5	125	1100	0.25	0.1	39	SOD-123	3.6x1.55x1.2	DC power			<input type="checkbox"/>	<input type="checkbox"/>	<input type="checkbox"/>	<input type="checkbox"/>
BW-D1G56VT1G-5	500	56	5%	2.2	150	1300	0.25	0.1	43	SOD-123	3.6x1.55x1.2	DC power			<input type="checkbox"/>	<input type="checkbox"/>	<input type="checkbox"/>	<input type="checkbox"/>
BW-D1G60VT1G-5	500	60	5%	2.1	170	1400	0.25	0.1	46	SOD-123	3.6x1.55x1.2	DC power			<input type="checkbox"/>	<input type="checkbox"/>	<input type="checkbox"/>	<input type="checkbox"/>
BW-D1G62VT1G-5	500	62	5%	2	185	1400	0.25	0.1	47	SOD-123	3.6x1.55x1.2	DC power			<input type="checkbox"/>	<input type="checkbox"/>	<input type="checkbox"/>	<input type="checkbox"/>
BW-D1G68VT1G-5	500	68	5%	1.8	230	1600	0.25	0.1	52	SOD-123	3.6x1.55x1.2	DC power			<input type="checkbox"/>	<input type="checkbox"/>	<input type="checkbox"/>	<input type="checkbox"/>
BW-D1G75VT1G-5	500	75	5%	1.7	270	1700	0.25	0.1	56	SOD-123	3.6x1.55x1.2	DC power			<input type="checkbox"/>	<input type="checkbox"/>	<input type="checkbox"/>	<input type="checkbox"/>
BW-D1G2V0T1G-6	500	2	6%	5	150	600	1	100	1	SOD-123	3.6x1.55x1.2	DC power			<input type="checkbox"/>	<input type="checkbox"/>	<input type="checkbox"/>	<input type="checkbox"/>

产品型号 Part Number	功率 P _{PP} (mW)	稳定电压 V _Z @I _{ZT} (V)	公差 Tolerance	最大稳定电流 I _{ZT} (mA)	动态阻抗 Z _{ZT} @I _{ZT} (Ω)	反向阻抗 Z _K @I _{ZK}	反向击穿电流 I _{ZK} (mA)	反向漏流 I _R (μA)	正向压降 V _R (V)	封装 Package	尺寸 Size LxWxH(mm)	应用 Application	内部电路 Circuit	外观 Outline	认证 Certifisate			
															UL497B	UL1449	TUV	CQC
BW-D1D9V1T1G-6	350	9.1	6%	5	15	100	1	0.5	6	SOD-123	3.6x1.55x1.2	DC power			<input type="checkbox"/>	<input type="checkbox"/>	<input type="checkbox"/>	<input type="checkbox"/>
BW-D1D10VT1G-6	350	10	6%	5	20	150	1	0.2	7	SOD-123	3.6x1.55x1.2	DC power			<input type="checkbox"/>	<input type="checkbox"/>	<input type="checkbox"/>	<input type="checkbox"/>
BW-D1D11VT1G-6	350	11	6%	5	20	150	1	0.1	8	SOD-123	3.6x1.55x1.2	DC power			<input type="checkbox"/>	<input type="checkbox"/>	<input type="checkbox"/>	<input type="checkbox"/>
BW-D1D12VT1G-6	350	12	6%	5	25	150	1	0.1	8	SOD-123	3.6x1.55x1.2	DC power			<input type="checkbox"/>	<input type="checkbox"/>	<input type="checkbox"/>	<input type="checkbox"/>
BW-D1D13VT1G-6	350	13	6%	5	30	170	1	0.1	8	SOD-123	3.6x1.55x1.2	DC power			<input type="checkbox"/>	<input type="checkbox"/>	<input type="checkbox"/>	<input type="checkbox"/>
BW-D1D15VT1G-6	350	15	6%	5	30	200	1	0.1	10.5	SOD-123	3.6x1.55x1.2	DC power			<input type="checkbox"/>	<input type="checkbox"/>	<input type="checkbox"/>	<input type="checkbox"/>
BW-D1D16VT1G-6	350	16	6%	5	40	200	1	0.1	11.2	SOD-123	3.6x1.55x1.2	DC power			<input type="checkbox"/>	<input type="checkbox"/>	<input type="checkbox"/>	<input type="checkbox"/>
BW-D1D18VT1G-6	350	18	6%	5	45	225	1	0.1	12.6	SOD-123	3.6x1.55x1.2	DC power			<input type="checkbox"/>	<input type="checkbox"/>	<input type="checkbox"/>	<input type="checkbox"/>
BW-D1D20VT1G-6	350	20	6%	5	55	225	1	0.1	14	SOD-123	3.6x1.55x1.2	DC power			<input type="checkbox"/>	<input type="checkbox"/>	<input type="checkbox"/>	<input type="checkbox"/>
BW-D1D22VT1G-6	350	22	6%	5	55	250	1	0.1	15.4	SOD-123	3.6x1.55x1.2	DC power			<input type="checkbox"/>	<input type="checkbox"/>	<input type="checkbox"/>	<input type="checkbox"/>
BW-D1D24VT1G-6	350	24	6%	5	70	250	1	0.1	16.8	SOD-123	3.6x1.55x1.2	DC power			<input type="checkbox"/>	<input type="checkbox"/>	<input type="checkbox"/>	<input type="checkbox"/>
BW-D1D27VT1G-6	350	27	6%	2	80	300	0.5	0.1	18.9	SOD-123	3.6x1.55x1.2	DC power			<input type="checkbox"/>	<input type="checkbox"/>	<input type="checkbox"/>	<input type="checkbox"/>
BW-D1D30VT1G-6	350	30	6%	2	80	300	0.5	0.1	21	SOD-123	3.6x1.55x1.2	DC power			<input type="checkbox"/>	<input type="checkbox"/>	<input type="checkbox"/>	<input type="checkbox"/>
BW-D1D33VT1G-6	350	33	6%	2	80	325	0.5	0.1	23.1	SOD-123	3.6x1.55x1.2	DC power			<input type="checkbox"/>	<input type="checkbox"/>	<input type="checkbox"/>	<input type="checkbox"/>
BW-D1D36VT1G-6	350	36	6%	2	90	350	0.5	0.1	25.2	SOD-123	3.6x1.55x1.2	DC power			<input type="checkbox"/>	<input type="checkbox"/>	<input type="checkbox"/>	<input type="checkbox"/>
BW-D1D39VT1G-6	350	39	6%	2	130	350	0.5	0.1	27.3	SOD-123	3.6x1.55x1.2	DC power			<input type="checkbox"/>	<input type="checkbox"/>	<input type="checkbox"/>	<input type="checkbox"/>
BW-D1D43VT1G-6	350	43	6%	2	100	700	1	0.1	32	SOD-123	3.6x1.55x1.2	DC power			<input type="checkbox"/>	<input type="checkbox"/>	<input type="checkbox"/>	<input type="checkbox"/>
BW-D1G2V4T1G-5	500	2.4	5%	20	30	1200	0.25	100	1	SOD-123	3.6x1.55x1.2	DC power			<input type="checkbox"/>	<input type="checkbox"/>	<input type="checkbox"/>	<input type="checkbox"/>
BW-D1G2V5T1G-5	500	2.5	5%	20	30	1250	0.25	100	1	SOD-123	3.6x1.55x1.2	DC power			<input type="checkbox"/>	<input type="checkbox"/>	<input type="checkbox"/>	<input type="checkbox"/>
BW-D1G2V7T1G-5	500	2.7	5%	20	30	1300	0.25	75	1	SOD-123	3.6x1.55x1.2	DC power			<input type="checkbox"/>	<input type="checkbox"/>	<input type="checkbox"/>	<input type="checkbox"/>
BW-D1G2V8T1G-5	500	2.8	5%	20	30	1400	0.25	75	1	SOD-123	3.6x1.55x1.2	DC power			<input type="checkbox"/>	<input type="checkbox"/>	<input type="checkbox"/>	<input type="checkbox"/>
BW-D1G3V0T1G-5	500	3	5%	20	30	1600	0.25	50	1	SOD-123	3.6x1.55x1.2	DC power			<input type="checkbox"/>	<input type="checkbox"/>	<input type="checkbox"/>	<input type="checkbox"/>
BW-D1G3V3T1G-5	500	3.3	5%	20	28	1600	0.25	25	1	SOD-123	3.6x1.55x1.2	DC power			<input type="checkbox"/>	<input type="checkbox"/>	<input type="checkbox"/>	<input type="checkbox"/>
BW-D1G3V6T1G-5	500	3.6	5%	20	24	1700	0.25	15	1	SOD-123	3.6x1.55x1.2	DC power			<input type="checkbox"/>	<input type="checkbox"/>	<input type="checkbox"/>	<input type="checkbox"/>
BW-D1G3V9T1G-5	500	3.9	5%	20	23	1900	0.25	10	1	SOD-123	3.6x1.55x1.2	DC power			<input type="checkbox"/>	<input type="checkbox"/>	<input type="checkbox"/>	<input type="checkbox"/>
BW-D1G4V3T1G-5	500	4.3	5%	20	22	2000	0.25	5	1	SOD-123	3.6x1.55x1.2	DC power			<input type="checkbox"/>	<input type="checkbox"/>	<input type="checkbox"/>	<input type="checkbox"/>
BW-D1G4V7T1G-5	500	4.7	5%	20	19	1900	0.25	5	2	SOD-123	3.6x1.55x1.2	DC power			<input type="checkbox"/>	<input type="checkbox"/>	<input type="checkbox"/>	<input type="checkbox"/>
BW-D1G5V1T1G-5	500	5.1	5%	20	17	1600	0.25	5	2	SOD-123	3.6x1.55x1.2	DC power			<input type="checkbox"/>	<input type="checkbox"/>	<input type="checkbox"/>	<input type="checkbox"/>
BW-D1G5V6T1G-5	500	5.6	5%	20	11	1600	0.25	5	3	SOD-123	3.6x1.55x1.2	DC power			<input type="checkbox"/>	<input type="checkbox"/>	<input type="checkbox"/>	<input type="checkbox"/>
BW-D1G6V0T1G-5	500	6	5%	20	7	1600	0.25	5	3.5	SOD-123	3.6x1.55x1.2	DC power			<input type="checkbox"/>	<input type="checkbox"/>	<input type="checkbox"/>	<input type="checkbox"/>
BW-D1G6V2T1G-5	500	6.2	5%	20	7	1000	0.25	5	4	SOD-123	3.6x1.55x1.2	DC power			<input type="checkbox"/>	<input type="checkbox"/>	<input type="checkbox"/>	<input type="checkbox"/>
BW-D1G6V8T1G-5	500	6.8	5%	20	5	750	0.25	3	5	SOD-123	3.6x1.55x1.2	DC power			<input type="checkbox"/>	<input type="checkbox"/>	<input type="checkbox"/>	<input type="checkbox"/>

产品型号 Part Number	功率 P _{PP} (mW)	稳定电压 V _Z @I _{ZT} (V)	公差 Tolerance	最大稳定电流 I _{ZT} (mA)	动态阻抗 Z _{ZT} @I _{ZT} (Ω)	反向阻抗 Z _K @I _{ZK}	反向击穿电流 I _{ZK} (mA)	反向漏流 I _R (μA)	正向压降 V _R (V)	封装 Package	尺寸 Size LxWxH(mm)	应用 Application	内部电路 Circuit	外观 Outline	认证 Certifisate			
															UL497B	UL1449	TUV	CQC
BW-D1G2V4T1G-6	500	2.4	6%	5	100	600	1	50	1	SOD-123	3.6x1.55x1.2	DC power			<input type="checkbox"/>	<input type="checkbox"/>	<input type="checkbox"/>	<input type="checkbox"/>
BW-D1G2V7T1G-6	500	2.7	6%	5	100	600	1	20	1	SOD-123	3.6x1.55x1.2	DC power			<input type="checkbox"/>	<input type="checkbox"/>	<input type="checkbox"/>	<input type="checkbox"/>
BW-D1G3V0T1G-6	500	3	6%	5	95	600	1	10	1	SOD-123	3.6x1.55x1.2	DC power			<input type="checkbox"/>	<input type="checkbox"/>	<input type="checkbox"/>	<input type="checkbox"/>
BW-D1G3V3T1G-6	500	3.3	6%	5	95	600	1	5	1	SOD-123	3.6x1.55x1.2	DC power			<input type="checkbox"/>	<input type="checkbox"/>	<input type="checkbox"/>	<input type="checkbox"/>
BW-D1G3V6T1G-6	500	3.6	6%	5	90	600	1	5	1	SOD-123	3.6x1.55x1.2	DC power			<input type="checkbox"/>	<input type="checkbox"/>	<input type="checkbox"/>	<input type="checkbox"/>
BW-D1G3V9T1G-6	500	3.9	6%	5	90	600	1	3	1	SOD-123	3.6x1.55x1.2	DC power			<input type="checkbox"/>	<input type="checkbox"/>	<input type="checkbox"/>	<input type="checkbox"/>
BW-D1G4V3T1G-6	500	4.3	6%	5	90	600	1	3	1	SOD-123	3.6x1.55x1.2	DC power			<input type="checkbox"/>	<input type="checkbox"/>	<input type="checkbox"/>	<input type="checkbox"/>
BW-D1G4V7T1G-6	500	4.7	6%	5	80	500	1	3	2	SOD-123	3.6x1.55x1.2	DC power			<input type="checkbox"/>	<input type="checkbox"/>	<input type="checkbox"/>	<input type="checkbox"/>
BW-D1G5V1T1G-6	500	5.1	6%	5	60	480	1	2	2	SOD-123	3.6x1.55x1.2	DC power			<input type="checkbox"/>	<input type="checkbox"/>	<input type="checkbox"/>	<input type="checkbox"/>
BW-D1G5V6T1G-6	500	5.6	6%	5	40	400	1	1	2	SOD-123	3.6x1.55x1.2	DC power			<input type="checkbox"/>	<input type="checkbox"/>	<input type="checkbox"/>	<input type="checkbox"/>
BW-D1G6V2T1G-6	500	6.2	6%	5	10	150	1	3	4	SOD-123	3.6x1.55x1.2	DC power			<input type="checkbox"/>	<input type="checkbox"/>	<input type="checkbox"/>	<input type="checkbox"/>
BW-D1G6V8T1G-6	500	6.8	6%	5	15	80	1	2	4	SOD-123	3.6x1.55x1.2	DC power			<input type="checkbox"/>	<input type="checkbox"/>	<input type="checkbox"/>	<input type="checkbox"/>
BW-D1G7V5T1G-6	500	7.5	6%	5	15	80	1	1	5	SOD-123	3.6x1.55x1.2	DC power			<input type="checkbox"/>	<input type="checkbox"/>	<input type="checkbox"/>	<input type="checkbox"/>
BW-D1G8V2T1G-6	500	8.2	6%	5	15	80	1	0.7	5	SOD-123	3.6x1.55x1.2	DC power			<input type="checkbox"/>	<input type="checkbox"/>	<input type="checkbox"/>	<input type="checkbox"/>
BW-D1G9V1T1G-6	500	9.1	6%	5	15	100	1	0.5	6	SOD-123	3.6x1.55x1.2	DC power			<input type="checkbox"/>	<input type="checkbox"/>	<input type="checkbox"/>	<input type="checkbox"/>
BW-D1G10VT1G-6	500	10	6%	5	20	150	1	0.2	7	SOD-123	3.6x1.55x1.2	DC power			<input type="checkbox"/>	<input type="checkbox"/>	<input type="checkbox"/>	<input type="checkbox"/>
BW-D1G11VT1G-6	500	11	6%	5	20	150	1	0.1	8	SOD-123	3.6x1.55x1.2	DC power			<input type="checkbox"/>	<input type="checkbox"/>	<input type="checkbox"/>	<input type="checkbox"/>
BW-D1G12VT1G-6	500	12	6%	5	25	150	1	0.1	8	SOD-123	3.6x1.55x1.2	DC power			<input type="checkbox"/>	<input type="checkbox"/>	<input type="checkbox"/>	<input type="checkbox"/>
BW-D1G13VT1G-6	500	13	6%	5	30	170	1	0.1	8	SOD-123	3.6x1.55x1.2	DC power			<input type="checkbox"/>	<input type="checkbox"/>	<input type="checkbox"/>	<input type="checkbox"/>
BW-D1G15VT1G-6	500	15	6%	5	30	200	1	0.1	10.5	SOD-123	3.6x1.55x1.2	DC power			<input type="checkbox"/>	<input type="checkbox"/>	<input type="checkbox"/>	<input type="checkbox"/>
BW-D1G16VT1G-6	500	16	6%	5	40	200	1	0.1	11.2	SOD-123	3.6x1.55x1.2	DC power			<input type="checkbox"/>	<input type="checkbox"/>	<input type="checkbox"/>	<input type="checkbox"/>
BW-D1G18VT1G-6	500	18	6%	5	45	225	1	0.1	12.6	SOD-123	3.6x1.55x1.2	DC power			<input type="checkbox"/>	<input type="checkbox"/>	<input type="checkbox"/>	<input type="checkbox"/>
BW-D1G20VT1G-6	500	20	6%	5	55	225	1	0.1	14	SOD-123	3.6x1.55x1.2	DC power			<input type="checkbox"/>	<input type="checkbox"/>	<input type="checkbox"/>	<input type="checkbox"/>
BW-D1G22VT1G-6	500	22	6%	5	55	250	1	0.1	15.4	SOD-123	3.6x1.55x1.2	DC power			<input type="checkbox"/>	<input type="checkbox"/>	<input type="checkbox"/>	<input type="checkbox"/>
BW-D1G24VT1G-6	500	24	6%	5	70	250	1	0.1	16.8	SOD-123	3.6x1.55x1.2	DC power			<input type="checkbox"/>	<input type="checkbox"/>	<input type="checkbox"/>	<input type="checkbox"/>
BW-D1G27VT1G-6	500	27	6%	2	80	300	0.5	0.1	18.9	SOD-123	3.6x1.55x1.2	DC power			<input type="checkbox"/>	<input type="checkbox"/>	<input type="checkbox"/>	<input type="checkbox"/>
BW-D1G30VT1G-6	500	30	6%	2	80	300	0.5	0.1	21	SOD-123	3.6x1.55x1.2	DC power			<input type="checkbox"/>	<input type="checkbox"/>	<input type="checkbox"/>	<input type="checkbox"/>
BW-D1G33VT1G-6	500	33	6%	2	80	325	0.5	0.1	23.1	SOD-123	3.6x1.55x1.2	DC power			<input type="checkbox"/>	<input type="checkbox"/>	<input type="checkbox"/>	<input type="checkbox"/>
BW-D1G36VT1G-6	500	36	6%	2	90	350	0.5	0.1	25.2	SOD-123	3.6x1.55x1.2	DC power			<input type="checkbox"/>	<input type="checkbox"/>	<input type="checkbox"/>	<input type="checkbox"/>
BW-D1G39VT1G-6	500	39	6%	2	130	350	0.5	0.1	27.3	SOD-123	3.6x1.55x1.2	DC power			<input type="checkbox"/>	<input type="checkbox"/>	<input type="checkbox"/>	<input type="checkbox"/>
BW-D1G43VT1G-6	500	43	6%	2	100	700	1	0.1	32	SOD-123	3.6x1.55x1.2	DC power			<input type="checkbox"/>	<input type="checkbox"/>	<input type="checkbox"/>	<input type="checkbox"/>
BW-D1G47VT1G-6	500	47	6%	2	100	750	1	0.1	35	SOD-123	3.6x1.55x1.2	DC power			<input type="checkbox"/>	<input type="checkbox"/>	<input type="checkbox"/>	<input type="checkbox"/>

产品型号 Part Number	功率 P _{PP} (mW)	稳定电压 V _Z @I _{ZT} (V)	公差 Tolerance	最大稳定电流 I _{ZT} (mA)	动态阻抗 Z _{ZT} @I _{ZT} (Ω)	反向阻抗 Z _K @I _{ZK}	反向击穿电流 I _{ZK} (mA)	反向漏流 I _R (μA)	正向压降 V _R (V)	封装 Package	尺寸 Size LxWxH(mm)	应用 Application	内部电路 Circuit	外观 Outline	认证 Certifisate			
															UL497B	UL1449	TUV	CQC
BW-D1G51VT1G-6	500	51	6%	2	125	750	1	0.1	38	SOD-123	3.6x1.55x1.2	DC power			<input type="radio"/>	<input type="radio"/>	<input type="radio"/>	<input type="radio"/>
BW-D1G56VT1G-6	500	56	6%	2	135	700	1	0.1	39	SOD-123	3.6x1.55x1.2	DC power			<input type="radio"/>	<input type="radio"/>	<input type="radio"/>	<input type="radio"/>
BW-D1G62VT1G-6	500	62	6%	2	200	1000	1	0.2	47	SOD-123	3.6x1.55x1.2	DC power			<input type="radio"/>	<input type="radio"/>	<input type="radio"/>	<input type="radio"/>
BW-D1G68VT1G-6	500	68	6%	2	250	1000	1	0.2	52	SOD-123	3.6x1.55x1.2	DC power			<input type="radio"/>	<input type="radio"/>	<input type="radio"/>	<input type="radio"/>
BW-D1G75VT1G-6	500	75	6%	2	300	1000	1	0.2	57	SOD-123	3.6x1.55x1.2	DC power			<input type="radio"/>	<input type="radio"/>	<input type="radio"/>	<input type="radio"/>
BW-D3A5V1T1G-2	200	5.1	2%	5	60	480	1	2	2	SOD-323	2.5x1.28x1.0	DC power			<input type="radio"/>	<input type="radio"/>	<input type="radio"/>	<input type="radio"/>
BW-D3A5V6T1G-2	200	5.6	2%	5	40	400	1	1	2	SOD-323	2.5x1.28x1.0	DC power			<input type="radio"/>	<input type="radio"/>	<input type="radio"/>	<input type="radio"/>
BW-D3A6V2T1G-2	200	6.2	2%	5	10	150	1	3	4	SOD-323	2.5x1.28x1.0	DC power			<input type="radio"/>	<input type="radio"/>	<input type="radio"/>	<input type="radio"/>
BW-D3A6V8T1G-2	200	6.8	2%	5	15	80	1	2	4	SOD-323	2.5x1.28x1.0	DC power			<input type="radio"/>	<input type="radio"/>	<input type="radio"/>	<input type="radio"/>
BW-D3A7V5T1G-2	200	7.5	2%	5	15	80	1	1	5	SOD-323	2.5x1.28x1.0	DC power			<input type="radio"/>	<input type="radio"/>	<input type="radio"/>	<input type="radio"/>
BW-D3A8V2T1G-2	200	8.2	2%	5	15	80	1	0.7	5	SOD-323	2.5x1.28x1.0	DC power			<input type="radio"/>	<input type="radio"/>	<input type="radio"/>	<input type="radio"/>
BW-D3A9V1T1G-2	200	9.1	2%	5	15	100	1	0.5	6	SOD-323	2.5x1.28x1.0	DC power			<input type="radio"/>	<input type="radio"/>	<input type="radio"/>	<input type="radio"/>
BW-D3A10VT1G-2	200	10	2%	5	20	150	1	0.2	7	SOD-323	2.5x1.28x1.0	DC power			<input type="radio"/>	<input type="radio"/>	<input type="radio"/>	<input type="radio"/>
BW-D3A11VT1G-2	200	11	2%	5	20	150	1	0.1	8	SOD-323	2.5x1.28x1.0	DC power			<input type="radio"/>	<input type="radio"/>	<input type="radio"/>	<input type="radio"/>
BW-D3A12VT1G-2	200	12	2%	5	25	150	1	0.1	8	SOD-323	2.5x1.28x1.0	DC power			<input type="radio"/>	<input type="radio"/>	<input type="radio"/>	<input type="radio"/>
BW-D3A13VT1G-2	200	13	2%	5	30	170	1	0.1	8	SOD-323	2.5x1.28x1.0	DC power			<input type="radio"/>	<input type="radio"/>	<input type="radio"/>	<input type="radio"/>
BW-D3A15VT1G-2	200	15	2%	5	30	200	1	0.1	10.5	SOD-323	2.5x1.28x1.0	DC power			<input type="radio"/>	<input type="radio"/>	<input type="radio"/>	<input type="radio"/>
BW-D3A16VT1G-2	200	16	2%	5	40	200	1	0.1	11.2	SOD-323	2.5x1.28x1.0	DC power			<input type="radio"/>	<input type="radio"/>	<input type="radio"/>	<input type="radio"/>
BW-D3A18VT1G-2	200	18	2%	5	45	225	1	0.1	12.6	SOD-323	2.5x1.28x1.0	DC power			<input type="radio"/>	<input type="radio"/>	<input type="radio"/>	<input type="radio"/>
BW-D3A20VT1G-2	200	20	2%	5	55	225	1	0.1	14	SOD-323	2.5x1.28x1.0	DC power			<input type="radio"/>	<input type="radio"/>	<input type="radio"/>	<input type="radio"/>
BW-D3A2V4T1G-5	200	2.4	5%	20	30	1200	0.25	100	1	SOD-323	2.5x1.28x1.0	DC power			<input type="radio"/>	<input type="radio"/>	<input type="radio"/>	<input type="radio"/>
BW-D3A2V7T1G-5	200	2.7	5%	20	30	1300	0.25	75	1	SOD-323	2.5x1.28x1.0	DC power			<input type="radio"/>	<input type="radio"/>	<input type="radio"/>	<input type="radio"/>
BW-D3A3V0T1G-5	200	3	5%	20	30	1600	0.25	50	1	SOD-323	2.5x1.28x1.0	DC power			<input type="radio"/>	<input type="radio"/>	<input type="radio"/>	<input type="radio"/>
BW-D3A3V3T1G-5	200	3.3	5%	20	28	1600	0.25	25	1	SOD-323	2.5x1.28x1.0	DC power			<input type="radio"/>	<input type="radio"/>	<input type="radio"/>	<input type="radio"/>
BW-D3A3V6T1G-5	200	3.6	5%	20	24	1700	0.25	15	1	SOD-323	2.5x1.28x1.0	DC power			<input type="radio"/>	<input type="radio"/>	<input type="radio"/>	<input type="radio"/>
BW-D3A3V9T1G-5	200	3.9	5%	20	23	1900	0.25	10	1	SOD-323	2.5x1.28x1.0	DC power			<input type="radio"/>	<input type="radio"/>	<input type="radio"/>	<input type="radio"/>
BW-D3A4V3T1G-5	200	4.3	5%	20	22	2000	0.25	5	1	SOD-323	2.5x1.28x1.0	DC power			<input type="radio"/>	<input type="radio"/>	<input type="radio"/>	<input type="radio"/>
BW-D3A4V7T1G-5	200	4.7	5%	20	19	1900	0.25	5	2	SOD-323	2.5x1.28x1.0	DC power			<input type="radio"/>	<input type="radio"/>	<input type="radio"/>	<input type="radio"/>
BW-D3A5V1T1G-5	200	5.1	5%	20	17	1600	0.25	5	2	SOD-323	2.5x1.28x1.0	DC power			<input type="radio"/>	<input type="radio"/>	<input type="radio"/>	<input type="radio"/>
BW-D3A5V6T1G-5	200	5.6	5%	20	11	1600	0.25	5	3	SOD-323	2.5x1.28x1.0	DC power			<input type="radio"/>	<input type="radio"/>	<input type="radio"/>	<input type="radio"/>
BW-D3A6V0T1G-5	200	6	5%	20	7	1600	0.25	5	3.5	SOD-323	2.5x1.28x1.0	DC power			<input type="radio"/>	<input type="radio"/>	<input type="radio"/>	<input type="radio"/>
BW-D3A6V2T1G-5	200	6.2	5%	20	7	1000	0.25	5	4	SOD-323	2.5x1.28x1.0	DC power			<input type="radio"/>	<input type="radio"/>	<input type="radio"/>	<input type="radio"/>

产品型号 Part Number	功率 P _{PP} (mW)	稳定电压 V _Z @I _{ZT} (V)	公差 Tolerance	最大稳定电流 I _{ZT} (mA)	动态阻抗 Z _{ZT} @I _{ZT} (Ω)	反向阻抗 Z _K @I _{ZK}	反向击穿电流 I _{ZK} (mA)	反向漏流 I _R (μA)	正向压降 V _R (V)	封装 Package	尺寸 Size LxWxH(mm)	应用 Application	内部电路 Circuit	外观 Outline	认证 Certificate			
															UL497B	UL1449	TUV	CQC
BW-D3A6V8T1G-5	200	6.8	5%	20	5	750	0.25	3	5	SOD-323	2.5x1.28x1.0	DC power			<input type="checkbox"/>	<input type="checkbox"/>	<input type="checkbox"/>	<input type="checkbox"/>
BW-D3A7V5T1G-5	200	7.5	5%	20	6	500	0.25	3	6	SOD-323	2.5x1.28x1.0	DC power			<input type="checkbox"/>	<input type="checkbox"/>	<input type="checkbox"/>	<input type="checkbox"/>
BW-D3A8V2T1G-5	200	8.2	5%	20	8	500	0.25	3	6.5	SOD-323	2.5x1.28x1.0	DC power			<input type="checkbox"/>	<input type="checkbox"/>	<input type="checkbox"/>	<input type="checkbox"/>
BW-D3A8V7T1G-5	200	8.7	5%	20	8	600	0.25	3	6.5	SOD-323	2.5x1.28x1.0	DC power			<input type="checkbox"/>	<input type="checkbox"/>	<input type="checkbox"/>	<input type="checkbox"/>
BW-D3A9V1T1G-5	200	9.1	5%	20	10	600	0.25	3	7	SOD-323	2.5x1.28x1.0	DC power			<input type="checkbox"/>	<input type="checkbox"/>	<input type="checkbox"/>	<input type="checkbox"/>
BW-D3A10V7T1G-5	200	10	5%	20	17	600	0.25	3	8	SOD-323	2.5x1.28x1.0	DC power			<input type="checkbox"/>	<input type="checkbox"/>	<input type="checkbox"/>	<input type="checkbox"/>
BW-D3A11V7T1G-5	200	11	5%	20	22	600	0.25	2	8.4	SOD-323	2.5x1.28x1.0	DC power			<input type="checkbox"/>	<input type="checkbox"/>	<input type="checkbox"/>	<input type="checkbox"/>
BW-D3A12V7T1G-5	200	12	5%	20	30	600	0.25	1	9.1	SOD-323	2.5x1.28x1.0	DC power			<input type="checkbox"/>	<input type="checkbox"/>	<input type="checkbox"/>	<input type="checkbox"/>
BW-D3A13V7T1G-5	200	13	5%	9.5	13	600	0.25	0.5	9.9	SOD-323	2.5x1.28x1.0	DC power			<input type="checkbox"/>	<input type="checkbox"/>	<input type="checkbox"/>	<input type="checkbox"/>
BW-D3A14V7T1G-5	200	14	5%	9	15	600	0.25	0.1	10	SOD-323	2.5x1.28x1.0	DC power			<input type="checkbox"/>	<input type="checkbox"/>	<input type="checkbox"/>	<input type="checkbox"/>
BW-D3A15V7T1G-5	200	15	5%	8.5	16	600	0.25	0.1	11	SOD-323	2.5x1.28x1.0	DC power			<input type="checkbox"/>	<input type="checkbox"/>	<input type="checkbox"/>	<input type="checkbox"/>
BW-D3A16V7T1G-5	200	16	5%	7.8	17	600	0.25	0.1	12	SOD-323	2.5x1.28x1.0	DC power			<input type="checkbox"/>	<input type="checkbox"/>	<input type="checkbox"/>	<input type="checkbox"/>
BW-D3A18V7T1G-5	200	18	5%	7	21	600	0.25	0.1	14	SOD-323	2.5x1.28x1.0	DC power			<input type="checkbox"/>	<input type="checkbox"/>	<input type="checkbox"/>	<input type="checkbox"/>
BW-D3A20V7T1G-5	200	20	5%	6.2	25	600	0.25	0.1	15	SOD-323	2.5x1.28x1.0	DC power			<input type="checkbox"/>	<input type="checkbox"/>	<input type="checkbox"/>	<input type="checkbox"/>
BW-D3A22V7T1G-5	200	22	5%	5.6	29	600	0.25	0.1	17	SOD-323	2.5x1.28x1.0	DC power			<input type="checkbox"/>	<input type="checkbox"/>	<input type="checkbox"/>	<input type="checkbox"/>
BW-D3A24V7T1G-5	200	24	5%	5.2	33	600	0.25	0.1	18	SOD-323	2.5x1.28x1.0	DC power			<input type="checkbox"/>	<input type="checkbox"/>	<input type="checkbox"/>	<input type="checkbox"/>
BW-D3A25V7T1G-5	200	25	5%	5	35	600	0.25	0.1	19	SOD-323	2.5x1.28x1.0	DC power			<input type="checkbox"/>	<input type="checkbox"/>	<input type="checkbox"/>	<input type="checkbox"/>
BW-D3A27V7T1G-5	200	27	5%	5	41	600	0.25	0.1	21	SOD-323	2.5x1.28x1.0	DC power			<input type="checkbox"/>	<input type="checkbox"/>	<input type="checkbox"/>	<input type="checkbox"/>
BW-D3A28V7T1G-5	200	28	5%	4.5	44	600	0.25	0.1	21	SOD-323	2.5x1.28x1.0	DC power			<input type="checkbox"/>	<input type="checkbox"/>	<input type="checkbox"/>	<input type="checkbox"/>
BW-D3A30V7T1G-5	200	30	5%	4.2	49	600	0.25	0.1	23	SOD-323	2.5x1.28x1.0	DC power			<input type="checkbox"/>	<input type="checkbox"/>	<input type="checkbox"/>	<input type="checkbox"/>
BW-D3A33V7T1G-5	200	33	5%	3.8	58	700	0.25	0.1	25	SOD-323	2.5x1.28x1.0	DC power			<input type="checkbox"/>	<input type="checkbox"/>	<input type="checkbox"/>	<input type="checkbox"/>
BW-D3A36V7T1G-5	200	36	5%	3.4	70	700	0.25	0.1	27	SOD-323	2.5x1.28x1.0	DC power			<input type="checkbox"/>	<input type="checkbox"/>	<input type="checkbox"/>	<input type="checkbox"/>
BW-D3A39V7T1G-5	200	39	5%	3.2	80	800	0.25	0.1	30	SOD-323	2.5x1.28x1.0	DC power			<input type="checkbox"/>	<input type="checkbox"/>	<input type="checkbox"/>	<input type="checkbox"/>
BW-D3A2V4T1G-6	200	2.4	6%	5	100	600	1	50	1	SOD-323	2.5x1.28x1.0	DC power			<input type="checkbox"/>	<input type="checkbox"/>	<input type="checkbox"/>	<input type="checkbox"/>
BW-D3A2V7T1G-6	200	2.7	6%	5	100	600	1	20	1	SOD-323	2.5x1.28x1.0	DC power			<input type="checkbox"/>	<input type="checkbox"/>	<input type="checkbox"/>	<input type="checkbox"/>
BW-D3A3V0T1G-6	200	3	6%	5	95	600	1	10	1	SOD-323	2.5x1.28x1.0	DC power			<input type="checkbox"/>	<input type="checkbox"/>	<input type="checkbox"/>	<input type="checkbox"/>
BW-D3A3V3T1G-6	200	3.3	6%	5	95	600	1	5	1	SOD-323	2.5x1.28x1.0	DC power			<input type="checkbox"/>	<input type="checkbox"/>	<input type="checkbox"/>	<input type="checkbox"/>
BW-D3A3V6T1G-6	200	3.6	6%	5	90	600	1	5	1	SOD-323	2.5x1.28x1.0	DC power			<input type="checkbox"/>	<input type="checkbox"/>	<input type="checkbox"/>	<input type="checkbox"/>
BW-D3A3V9T1G-6	200	3.9	6%	5	90	600	1	3	1	SOD-323	2.5x1.28x1.0	DC power			<input type="checkbox"/>	<input type="checkbox"/>	<input type="checkbox"/>	<input type="checkbox"/>
BW-D3A4V3T1G-6	200	4.3	6%	5	90	600	1	3	1	SOD-323	2.5x1.28x1.0	DC power			<input type="checkbox"/>	<input type="checkbox"/>	<input type="checkbox"/>	<input type="checkbox"/>
BW-D3A4V7T1G-6	200	4.7	6%	5	80	500	1	3	2	SOD-323	2.5x1.28x1.0	DC power			<input type="checkbox"/>	<input type="checkbox"/>	<input type="checkbox"/>	<input type="checkbox"/>
BW-D3A5V1T1G-6	200	5.1	6%	5	60	480	1	2	2	SOD-323	2.5x1.28x1.0	DC power			<input type="checkbox"/>	<input type="checkbox"/>	<input type="checkbox"/>	<input type="checkbox"/>

产品型号 Part Number	功率 P _{PP} (mW)	稳定电压 V _Z @I _{ZT} (V)	公差 Tolerance	最大稳定电流 I _{ZT} (mA)	动态阻抗 Z _{ZT} @I _{ZT} (Ω)	反向阻抗 Z _K @I _{ZK}	反向击穿电流 I _{ZK} (mA)	反向漏流 I _R (μA)	正向压降 V _R (V)	封装 Package	尺寸 Size LxWxH(mm)	应用 Application	内部电路 Circuit	外观 Outline	认证 Certifisate			
															UL497B	UL1449	TUV	CQC
BW-D3A5V6T1G-6	200	5.6	6%	5	40	400	1	1	2	SOD-323	2.5x1.28x1.0	DC power			<input type="checkbox"/>	<input type="checkbox"/>	<input type="checkbox"/>	<input type="checkbox"/>
BW-D3A6V2T1G-6	200	6.2	6%	5	10	150	1	3	4	SOD-323	2.5x1.28x1.0	DC power			<input type="checkbox"/>	<input type="checkbox"/>	<input type="checkbox"/>	<input type="checkbox"/>
BW-D3A6V8T1G-6	200	6.8	6%	5	15	80	1	2	4	SOD-323	2.5x1.28x1.0	DC power			<input type="checkbox"/>	<input type="checkbox"/>	<input type="checkbox"/>	<input type="checkbox"/>
BW-D3A7V5T1G-6	200	7.5	6%	5	15	80	1	1	5	SOD-323	2.5x1.28x1.0	DC power			<input type="checkbox"/>	<input type="checkbox"/>	<input type="checkbox"/>	<input type="checkbox"/>
BW-D3A8V2T1G-6	200	8.2	6%	5	15	80	1	0.7	5	SOD-323	2.5x1.28x1.0	DC power			<input type="checkbox"/>	<input type="checkbox"/>	<input type="checkbox"/>	<input type="checkbox"/>
BW-D3A9V1T1G-6	200	9.1	6%	5	15	100	1	0.5	6	SOD-323	2.5x1.28x1.0	DC power			<input type="checkbox"/>	<input type="checkbox"/>	<input type="checkbox"/>	<input type="checkbox"/>
BW-D3A10VT1G-6	200	10	6%	5	20	150	1	0.2	7	SOD-323	2.5x1.28x1.0	DC power			<input type="checkbox"/>	<input type="checkbox"/>	<input type="checkbox"/>	<input type="checkbox"/>
BW-D3A11VT1G-6	200	11	6%	5	20	150	1	0.1	8	SOD-323	2.5x1.28x1.0	DC power			<input type="checkbox"/>	<input type="checkbox"/>	<input type="checkbox"/>	<input type="checkbox"/>
BW-D3A12VT1G-6	200	12	6%	5	25	150	1	0.1	8	SOD-323	2.5x1.28x1.0	DC power			<input type="checkbox"/>	<input type="checkbox"/>	<input type="checkbox"/>	<input type="checkbox"/>
BW-D3A13VT1G-6	200	13	6%	5	30	170	1	0.1	8	SOD-323	2.5x1.28x1.0	DC power			<input type="checkbox"/>	<input type="checkbox"/>	<input type="checkbox"/>	<input type="checkbox"/>
BW-D3A15VT1G-6	200	15	6%	5	30	200	1	0.1	10.5	SOD-323	2.5x1.28x1.0	DC power			<input type="checkbox"/>	<input type="checkbox"/>	<input type="checkbox"/>	<input type="checkbox"/>
BW-D3A16VT1G-6	200	16	6%	5	40	200	1	0.1	11.2	SOD-323	2.5x1.28x1.0	DC power			<input type="checkbox"/>	<input type="checkbox"/>	<input type="checkbox"/>	<input type="checkbox"/>
BW-D3A18VT1G-6	200	18	6%	5	45	225	1	0.1	12.6	SOD-323	2.5x1.28x1.0	DC power			<input type="checkbox"/>	<input type="checkbox"/>	<input type="checkbox"/>	<input type="checkbox"/>
BW-D3A20VT1G-6	200	20	6%	5	55	225	1	0.1	14	SOD-323	2.5x1.28x1.0	DC power			<input type="checkbox"/>	<input type="checkbox"/>	<input type="checkbox"/>	<input type="checkbox"/>
BW-D3A22VT1G-6	200	22	6%	5	55	250	1	0.1	15.4	SOD-323	2.5x1.28x1.0	DC power			<input type="checkbox"/>	<input type="checkbox"/>	<input type="checkbox"/>	<input type="checkbox"/>
BW-D3A24VT1G-6	200	24	6%	5	70	250	1	0.1	16.8	SOD-323	2.5x1.28x1.0	DC power			<input type="checkbox"/>	<input type="checkbox"/>	<input type="checkbox"/>	<input type="checkbox"/>
BW-D3A27VT1G-6	200	27	6%	2	80	300	0.5	0.1	18.9	SOD-323	2.5x1.28x1.0	DC power			<input type="checkbox"/>	<input type="checkbox"/>	<input type="checkbox"/>	<input type="checkbox"/>
BW-D3A30VT1G-6	200	30	6%	2	80	300	0.5	0.1	21	SOD-323	2.5x1.28x1.0	DC power			<input type="checkbox"/>	<input type="checkbox"/>	<input type="checkbox"/>	<input type="checkbox"/>
BW-D3A33VT1G-6	200	33	6%	2	80	325	0.5	0.1	23.1	SOD-323	2.5x1.28x1.0	DC power			<input type="checkbox"/>	<input type="checkbox"/>	<input type="checkbox"/>	<input type="checkbox"/>
BW-D3A36VT1G-6	200	36	6%	2	90	350	0.5	0.1	25.2	SOD-323	2.5x1.28x1.0	DC power			<input type="checkbox"/>	<input type="checkbox"/>	<input type="checkbox"/>	<input type="checkbox"/>
BW-D3A39VT1G-6	200	39	6%	2	130	350	0.5	0.1	27.3	SOD-323	2.5x1.28x1.0	DC power			<input type="checkbox"/>	<input type="checkbox"/>	<input type="checkbox"/>	<input type="checkbox"/>
BW-D3A43VT1G-6	200	43	6%	2	100	700	1	0.1	32	SOD-323	2.5x1.28x1.0	DC power			<input type="checkbox"/>	<input type="checkbox"/>	<input type="checkbox"/>	<input type="checkbox"/>
BW-TAC5V1T1G-2	300	5.1	2%	5	60	480	1	2	2	SOT-23	2.9x2.4x1.1	DC power			<input type="checkbox"/>	<input type="checkbox"/>	<input type="checkbox"/>	<input type="checkbox"/>
BW-TAC5V6T1G-2	300	5.6	2%	5	40	400	1	1	2	SOT-23	2.9x2.4x1.1	DC power			<input type="checkbox"/>	<input type="checkbox"/>	<input type="checkbox"/>	<input type="checkbox"/>
BW-TAC6V2T1G-2	300	6.2	2%	5	10	150	1	3	4	SOT-23	2.9x2.4x1.1	DC power			<input type="checkbox"/>	<input type="checkbox"/>	<input type="checkbox"/>	<input type="checkbox"/>
BW-TAC6V8T1G-2	300	6.8	2%	5	15	80	1	2	4	SOT-23	2.9x2.4x1.1	DC power			<input type="checkbox"/>	<input type="checkbox"/>	<input type="checkbox"/>	<input type="checkbox"/>
BW-TAC7V5T1G-2	300	7.5	2%	5	15	80	1	1	5	SOT-23	2.9x2.4x1.1	DC power			<input type="checkbox"/>	<input type="checkbox"/>	<input type="checkbox"/>	<input type="checkbox"/>
BW-TAC8V2T1G-2	300	8.2	2%	5	15	80	1	0.7	5	SOT-23	2.9x2.4x1.1	DC power			<input type="checkbox"/>	<input type="checkbox"/>	<input type="checkbox"/>	<input type="checkbox"/>
BW-TAC9V1T1G-2	300	9.1	2%	5	15	100	1	0.5	6	SOT-23	2.9x2.4x1.1	DC power			<input type="checkbox"/>	<input type="checkbox"/>	<input type="checkbox"/>	<input type="checkbox"/>
BW-TAC10VT1G-2	300	10	2%	5	20	150	1	0.2	7	SOT-23	2.9x2.4x1.1	DC power			<input type="checkbox"/>	<input type="checkbox"/>	<input type="checkbox"/>	<input type="checkbox"/>
BW-TAC11VT1G-2	300	11	2%	5	20	150	1	0.1	8	SOT-23	2.9x2.4x1.1	DC power			<input type="checkbox"/>	<input type="checkbox"/>	<input type="checkbox"/>	<input type="checkbox"/>
BW-TAC12VT1G-2	300	12	2%	5	25	150	1	0.1	8	SOT-23	2.9x2.4x1.1	DC power			<input type="checkbox"/>	<input type="checkbox"/>	<input type="checkbox"/>	<input type="checkbox"/>

Environmental Analysis 环境分析

Choose Standard 选择标准

Application Guide 方案设计

Select Components 器件选择

System Test 系统测试

Apply & Optimize 应用优化

产品型号 Part Number	功率 P _{PP} (mW)	稳定电压 V _Z @I _{ZT} (V)	公差 Tolerance	最大稳定电流 I _{ZT} (mA)	动态阻抗 Z _{ZT} @I _{ZT} (Ω)	反向阻抗 Z _K @I _{ZK}	反向击穿电流 I _{ZK} (mA)	反向漏流 I _R (μA)	正向压降 V _R (V)	封装 Package	尺寸 Size LxWxH(mm)	应用 Application	内部电路 Circuit	外观 Outline	认证 Certifisate			
															UL497B	UL1449	TUV	CQC
BW-TAC13VT1G-2	300	13	2%	5	30	170	1	0.1	8	SOT-23	2.9x2.4x1.1	DC power			<input type="checkbox"/>	<input type="checkbox"/>	<input type="checkbox"/>	<input type="checkbox"/>
BW-TAC15VT1G-2	300	15	2%	5	30	200	1	0.1	10.5	SOT-23	2.9x2.4x1.1	DC power			<input type="checkbox"/>	<input type="checkbox"/>	<input type="checkbox"/>	<input type="checkbox"/>
BW-TAC16VT1G-2	300	16	2%	5	40	200	1	0.1	11.2	SOT-23	2.9x2.4x1.1	DC power			<input type="checkbox"/>	<input type="checkbox"/>	<input type="checkbox"/>	<input type="checkbox"/>
BW-TAC18VT1G-2	300	18	2%	5	45	225	1	0.1	12.6	SOT-23	2.9x2.4x1.1	DC power			<input type="checkbox"/>	<input type="checkbox"/>	<input type="checkbox"/>	<input type="checkbox"/>
BW-TAC20VT1G-2	300	20	2%	5	55	225	1	0.1	14	SOT-23	2.9x2.4x1.1	DC power			<input type="checkbox"/>	<input type="checkbox"/>	<input type="checkbox"/>	<input type="checkbox"/>
BW-TAC2V4T1G-6	300	2.4	6%	5	100	600	1	50	1	SOT-23	2.9x2.4x1.1	DC power			<input type="checkbox"/>	<input type="checkbox"/>	<input type="checkbox"/>	<input type="checkbox"/>
BW-TAC2V7T1G-6	300	2.7	6%	5	100	600	1	20	1	SOT-23	2.9x2.4x1.1	DC power			<input type="checkbox"/>	<input type="checkbox"/>	<input type="checkbox"/>	<input type="checkbox"/>
BW-TAC3V0T1G-6	300	3	6%	5	95	600	1	10	1	SOT-23	2.9x2.4x1.1	DC power			<input type="checkbox"/>	<input type="checkbox"/>	<input type="checkbox"/>	<input type="checkbox"/>
BW-TAC3V3T1G-6	300	3.3	6%	5	95	600	1	5	1	SOT-23	2.9x2.4x1.1	DC power			<input type="checkbox"/>	<input type="checkbox"/>	<input type="checkbox"/>	<input type="checkbox"/>
BW-TAC3V6T1G-6	300	3.6	6%	5	90	600	1	5	1	SOT-23	2.9x2.4x1.1	DC power			<input type="checkbox"/>	<input type="checkbox"/>	<input type="checkbox"/>	<input type="checkbox"/>
BW-TAC3V9T1G-6	300	3.9	6%	5	90	600	1	3	1	SOT-23	2.9x2.4x1.1	DC power			<input type="checkbox"/>	<input type="checkbox"/>	<input type="checkbox"/>	<input type="checkbox"/>
BW-TAC4V3T1G-6	300	4.3	6%	5	90	600	1	3	1	SOT-23	2.9x2.4x1.1	DC power			<input type="checkbox"/>	<input type="checkbox"/>	<input type="checkbox"/>	<input type="checkbox"/>
BW-TAC4V7T1G-6	300	4.7	6%	5	80	500	1	3	2	SOT-23	2.9x2.4x1.1	DC power			<input type="checkbox"/>	<input type="checkbox"/>	<input type="checkbox"/>	<input type="checkbox"/>
BW-TAC5V1T1G-6	300	5.1	6%	5	60	480	1	2	2	SOT-23	2.9x2.4x1.1	DC power			<input type="checkbox"/>	<input type="checkbox"/>	<input type="checkbox"/>	<input type="checkbox"/>
BW-TAC5V6T1G-6	300	5.6	6%	5	40	400	1	1	2	SOT-23	2.9x2.4x1.1	DC power			<input type="checkbox"/>	<input type="checkbox"/>	<input type="checkbox"/>	<input type="checkbox"/>
BW-TAC6V2T1G-6	300	6.2	6%	5	10	150	1	3	4	SOT-23	2.9x2.4x1.1	DC power			<input type="checkbox"/>	<input type="checkbox"/>	<input type="checkbox"/>	<input type="checkbox"/>
BW-TAC6V8T1G-6	300	6.8	6%	5	15	80	1	2	4	SOT-23	2.9x2.4x1.1	DC power			<input type="checkbox"/>	<input type="checkbox"/>	<input type="checkbox"/>	<input type="checkbox"/>
BW-TAC7V5T1G-6	300	7.5	6%	5	15	80	1	1	5	SOT-23	2.9x2.4x1.1	DC power			<input type="checkbox"/>	<input type="checkbox"/>	<input type="checkbox"/>	<input type="checkbox"/>
BW-TAC8V2T1G-6	300	8.2	6%	5	15	80	1	0.7	5	SOT-23	2.9x2.4x1.1	DC power			<input type="checkbox"/>	<input type="checkbox"/>	<input type="checkbox"/>	<input type="checkbox"/>
BW-TAC9V1T1G-6	300	9.1	6%	5	15	100	1	0.5	6	SOT-23	2.9x2.4x1.1	DC power			<input type="checkbox"/>	<input type="checkbox"/>	<input type="checkbox"/>	<input type="checkbox"/>
BW-TAC10VT1G-6	300	10	6%	5	20	150	1	0.2	7	SOT-23	2.9x2.4x1.1	DC power			<input type="checkbox"/>	<input type="checkbox"/>	<input type="checkbox"/>	<input type="checkbox"/>
BW-TAC11VT1G-6	300	11	6%	5	20	150	1	0.1	8	SOT-23	2.9x2.4x1.1	DC power			<input type="checkbox"/>	<input type="checkbox"/>	<input type="checkbox"/>	<input type="checkbox"/>
BW-TAC12VT1G-6	300	12	6%	5	25	150	1	0.1	8	SOT-23	2.9x2.4x1.1	DC power			<input type="checkbox"/>	<input type="checkbox"/>	<input type="checkbox"/>	<input type="checkbox"/>
BW-TAC13VT1G-6	300	13	6%	5	30	170	1	0.1	8	SOT-23	2.9x2.4x1.1	DC power			<input type="checkbox"/>	<input type="checkbox"/>	<input type="checkbox"/>	<input type="checkbox"/>
BW-TAC15VT1G-6	300	15	6%	5	30	200	1	0.1	10.5	SOT-23	2.9x2.4x1.1	DC power			<input type="checkbox"/>	<input type="checkbox"/>	<input type="checkbox"/>	<input type="checkbox"/>
BW-TAC16VT1G-6	300	16	6%	5	40	200	1	0.1	11.2	SOT-23	2.9x2.4x1.1	DC power			<input type="checkbox"/>	<input type="checkbox"/>	<input type="checkbox"/>	<input type="checkbox"/>
BW-TAC18VT1G-6	300	18	6%	5	45	225	1	0.1	12.6	SOT-23	2.9x2.4x1.1	DC power			<input type="checkbox"/>	<input type="checkbox"/>	<input type="checkbox"/>	<input type="checkbox"/>
BW-TAC20VT1G-6	300	20	6%	5	55	225	1	0.1	14	SOT-23	2.9x2.4x1.1	DC power			<input type="checkbox"/>	<input type="checkbox"/>	<input type="checkbox"/>	<input type="checkbox"/>
BW-TAC22VT1G-6	300	22	6%	5	55	250	1	0.1	15.4	SOT-23	2.9x2.4x1.1	DC power			<input type="checkbox"/>	<input type="checkbox"/>	<input type="checkbox"/>	<input type="checkbox"/>
BW-TAC24VT1G-6	300	24	6%	5	70	250	1	0.1	16.8	SOT-23	2.9x2.4x1.1	DC power			<input type="checkbox"/>	<input type="checkbox"/>	<input type="checkbox"/>	<input type="checkbox"/>
BW-TAC27VT1G-6	300	27	6%	2	80	300	0.5	0.1	18.9	SOT-23	2.9x2.4x1.1	DC power			<input type="checkbox"/>	<input type="checkbox"/>	<input type="checkbox"/>	<input type="checkbox"/>
BW-TAC30VT1G-6	300	30	6%	2	80	300	0.5	0.1	21	SOT-23	2.9x2.4x1.1	DC power			<input type="checkbox"/>	<input type="checkbox"/>	<input type="checkbox"/>	<input type="checkbox"/>

Environmental Analysis 环境分析

Choose Standard 标准选择

Application Guide 方案设计

Select Components 器件选择

System Test 系统测试

Apply & Optimize 应用优化

产品型号 Part Number	功率 P _{PP} (mW)	稳定电压 V _Z @I _{ZT} (V)	公差 Tolerance	最大稳定电流 I _{ZT} (mA)	动态阻抗 Z _{ZT} @I _{ZT} (Ω)	反向阻抗 Z _K @I _{ZK}	反向击穿电流 I _{ZK} (mA)	反向漏流 I _R (μA)	正向压降 V _R (V)	封装 Package	尺寸 Size LxWxH(mm)	应用 Application	内部电路 Circuit	外观 Outline	认证 Certificate			
															UL497B	UL1449	TUV	CQC
BW-TAC33VT1G-6	300	33	6%	2	80	325	0.5	0.1	23.1	SOT-23	2.9x2.4x1.1	DC power			<input type="checkbox"/>	<input type="checkbox"/>	<input type="checkbox"/>	<input type="checkbox"/>
BW-TAC36VT1G-6	300	36	6%	2	90	350	0.5	0.1	25.2	SOT-23	2.9x2.4x1.1	DC power			<input type="checkbox"/>	<input type="checkbox"/>	<input type="checkbox"/>	<input type="checkbox"/>
BW-TAC39VT1G-6	300	39	6%	2	130	350	0.5	0.1	27.3	SOT-23	2.9x2.4x1.1	DC power			<input type="checkbox"/>	<input type="checkbox"/>	<input type="checkbox"/>	<input type="checkbox"/>
BW-TAC43VT1G-6	300	43	6%	2	100	700	1	0.1	32	SOT-23	2.9x2.4x1.1	DC power			<input type="checkbox"/>	<input type="checkbox"/>	<input type="checkbox"/>	<input type="checkbox"/>
BW-D5Z5V1T1G-2	150	5.1	2%	5	60	480	1	2	2	SOD-523	1.6x0.8x0.6	DC power			<input type="checkbox"/>	<input type="checkbox"/>	<input type="checkbox"/>	<input type="checkbox"/>
BW-D5Z5V6T1G-2	150	5.6	2%	5	40	400	1	1	2	SOD-523	1.6x0.8x0.6	DC power			<input type="checkbox"/>	<input type="checkbox"/>	<input type="checkbox"/>	<input type="checkbox"/>
BW-D5Z6V2T1G-2	150	6.2	2%	5	10	150	1	3	4	SOD-523	1.6x0.8x0.6	DC power			<input type="checkbox"/>	<input type="checkbox"/>	<input type="checkbox"/>	<input type="checkbox"/>
BW-D5Z6V8T1G-2	150	6.8	2%	5	15	80	1	2	4	SOD-523	1.6x0.8x0.6	DC power			<input type="checkbox"/>	<input type="checkbox"/>	<input type="checkbox"/>	<input type="checkbox"/>
BW-D5Z7V5T1G-2	150	7.5	2%	5	15	80	1	1	5	SOD-523	1.6x0.8x0.6	DC power			<input type="checkbox"/>	<input type="checkbox"/>	<input type="checkbox"/>	<input type="checkbox"/>
BW-D5Z8V2T1G-2	150	8.2	2%	5	15	80	1	0.7	5	SOD-523	1.6x0.8x0.6	DC power			<input type="checkbox"/>	<input type="checkbox"/>	<input type="checkbox"/>	<input type="checkbox"/>
BW-D5Z9V1T1G-2	150	9.1	2%	5	15	100	1	0.5	6	SOD-523	1.6x0.8x0.6	DC power			<input type="checkbox"/>	<input type="checkbox"/>	<input type="checkbox"/>	<input type="checkbox"/>
BW-D5Z10VT1G-2	150	10	2%	5	20	150	1	0.2	7	SOD-523	1.6x0.8x0.6	DC power			<input type="checkbox"/>	<input type="checkbox"/>	<input type="checkbox"/>	<input type="checkbox"/>
BW-D5Z11VT1G-2	150	11	2%	5	20	150	1	0.1	8	SOD-523	1.6x0.8x0.6	DC power			<input type="checkbox"/>	<input type="checkbox"/>	<input type="checkbox"/>	<input type="checkbox"/>
BW-D5Z12VT1G-2	150	12	2%	5	25	150	1	0.1	8	SOD-523	1.6x0.8x0.6	DC power			<input type="checkbox"/>	<input type="checkbox"/>	<input type="checkbox"/>	<input type="checkbox"/>
BW-D5Z13VT1G-2	150	13	2%	5	30	170	1	0.1	8	SOD-523	1.6x0.8x0.6	DC power			<input type="checkbox"/>	<input type="checkbox"/>	<input type="checkbox"/>	<input type="checkbox"/>
BW-D5Z15VT1G-2	150	15	2%	5	30	200	1	0.1	10.5	SOD-523	1.6x0.8x0.6	DC power			<input type="checkbox"/>	<input type="checkbox"/>	<input type="checkbox"/>	<input type="checkbox"/>
BW-D5Z16VT1G-2	150	16	2%	5	40	200	1	0.1	11.2	SOD-523	1.6x0.8x0.6	DC power			<input type="checkbox"/>	<input type="checkbox"/>	<input type="checkbox"/>	<input type="checkbox"/>
BW-D5Z18VT1G-2	150	18	2%	5	45	225	1	0.1	12.6	SOD-523	1.6x0.8x0.6	DC power			<input type="checkbox"/>	<input type="checkbox"/>	<input type="checkbox"/>	<input type="checkbox"/>
BW-D5Z20VT1G-2	150	20	2%	5	55	225	1	0.1	14	SOD-523	1.6x0.8x0.6	DC power			<input type="checkbox"/>	<input type="checkbox"/>	<input type="checkbox"/>	<input type="checkbox"/>
BW-D5Z2V4T1G-6	150	2.4	6%	5	100	600	1	50	1	SOD-523	1.6x0.8x0.6	DC power			<input type="checkbox"/>	<input type="checkbox"/>	<input type="checkbox"/>	<input type="checkbox"/>
BW-D5Z2V7T1G-6	150	2.7	6%	5	100	600	1	20	1	SOD-523	1.6x0.8x0.6	DC power			<input type="checkbox"/>	<input type="checkbox"/>	<input type="checkbox"/>	<input type="checkbox"/>
BW-D5Z3V0T1G-6	150	3	6%	5	95	600	1	10	1	SOD-523	1.6x0.8x0.6	DC power			<input type="checkbox"/>	<input type="checkbox"/>	<input type="checkbox"/>	<input type="checkbox"/>
BW-D5Z3V3T1G-6	150	3.3	6%	5	95	600	1	5	1	SOD-523	1.6x0.8x0.6	DC power			<input type="checkbox"/>	<input type="checkbox"/>	<input type="checkbox"/>	<input type="checkbox"/>
BW-D5Z3V6T1G-6	150	3.6	6%	5	90	600	1	5	1	SOD-523	1.6x0.8x0.6	DC power			<input type="checkbox"/>	<input type="checkbox"/>	<input type="checkbox"/>	<input type="checkbox"/>
BW-D5Z3V9T1G-6	150	3.9	6%	5	90	600	1	3	1	SOD-523	1.6x0.8x0.6	DC power			<input type="checkbox"/>	<input type="checkbox"/>	<input type="checkbox"/>	<input type="checkbox"/>
BW-D5Z4V3T1G-6	150	4.3	6%	5	90	600	1	3	1	SOD-523	1.6x0.8x0.6	DC power			<input type="checkbox"/>	<input type="checkbox"/>	<input type="checkbox"/>	<input type="checkbox"/>
BW-D5Z4V7T1G-6	150	4.7	6%	5	80	500	1	3	2	SOD-523	1.6x0.8x0.6	DC power			<input type="checkbox"/>	<input type="checkbox"/>	<input type="checkbox"/>	<input type="checkbox"/>
BW-D5Z5V1T1G-6	150	5.1	6%	5	60	480	1	2	2	SOD-523	1.6x0.8x0.6	DC power			<input type="checkbox"/>	<input type="checkbox"/>	<input type="checkbox"/>	<input type="checkbox"/>
BW-D5Z5V6T1G-6	150	5.6	6%	5	40	400	1	1	2	SOD-523	1.6x0.8x0.6	DC power			<input type="checkbox"/>	<input type="checkbox"/>	<input type="checkbox"/>	<input type="checkbox"/>
BW-D5Z6V2T1G-6	150	6.2	6%	5	10	150	1	3	4	SOD-523	1.6x0.8x0.6	DC power			<input type="checkbox"/>	<input type="checkbox"/>	<input type="checkbox"/>	<input type="checkbox"/>
BW-D5Z6V8T1G-6	150	6.8	6%	5	15	80	1	2	4	SOD-523	1.6x0.8x0.6	DC power			<input type="checkbox"/>	<input type="checkbox"/>	<input type="checkbox"/>	<input type="checkbox"/>
BW-D5Z7V5T1G-6	150	7.5	6%	5	15	80	1	1	5	SOD-523	1.6x0.8x0.6	DC power			<input type="checkbox"/>	<input type="checkbox"/>	<input type="checkbox"/>	<input type="checkbox"/>

产品型号 Part Number	功率 P _{PP} (mW)	稳定电压 V _Z @I _{ZT} (V)	公差 Tolerance	最大稳定电流 I _{ZT} (mA)	动态阻抗 Z _{ZT} @I _{ZT} (Ω)	反向阻抗 Z _K @I _{ZK}	反向击穿电流 I _{ZK} (mA)	反向漏流 I _R (μA)	正向压降 V _R (V)	封装 Package	尺寸 Size LxWxH(mm)	应用 Application	内部电路 Circuit	外观 Outline	认证 Certificate			
															UL497B	UL1449	TUV	CQC
BW-D5Z8V2T1G-6	150	8.2	6%	5	15	80	1	0.7	5	SOD-523	1.6x0.8x0.6	DC power			<input type="checkbox"/>	<input type="checkbox"/>	<input type="checkbox"/>	<input type="checkbox"/>
BW-D5Z9V1T1G-6	150	9.1	6%	5	15	100	1	0.5	6	SOD-523	1.6x0.8x0.6	DC power			<input type="checkbox"/>	<input type="checkbox"/>	<input type="checkbox"/>	<input type="checkbox"/>
BW-D5Z10VT1G-6	150	10	6%	5	20	150	1	0.2	7	SOD-523	1.6x0.8x0.6	DC power			<input type="checkbox"/>	<input type="checkbox"/>	<input type="checkbox"/>	<input type="checkbox"/>
BW-D5Z11VT1G-6	150	11	6%	5	20	150	1	0.1	8	SOD-523	1.6x0.8x0.6	DC power			<input type="checkbox"/>	<input type="checkbox"/>	<input type="checkbox"/>	<input type="checkbox"/>
BW-D5Z12VT1G-6	150	12	6%	5	25	150	1	0.1	8	SOD-523	1.6x0.8x0.6	DC power			<input type="checkbox"/>	<input type="checkbox"/>	<input type="checkbox"/>	<input type="checkbox"/>
BW-D5Z13VT1G-6	150	13	6%	5	30	170	1	0.1	8	SOD-523	1.6x0.8x0.6	DC power			<input type="checkbox"/>	<input type="checkbox"/>	<input type="checkbox"/>	<input type="checkbox"/>
BW-D5Z15VT1G-6	150	15	6%	5	30	200	1	0.1	10.5	SOD-523	1.6x0.8x0.6	DC power			<input type="checkbox"/>	<input type="checkbox"/>	<input type="checkbox"/>	<input type="checkbox"/>
BW-D5Z16VT1G-6	150	16	6%	5	40	200	1	0.1	11.2	SOD-523	1.6x0.8x0.6	DC power			<input type="checkbox"/>	<input type="checkbox"/>	<input type="checkbox"/>	<input type="checkbox"/>
BW-D5Z18VT1G-6	150	18	6%	5	45	225	1	0.1	12.6	SOD-523	1.6x0.8x0.6	DC power			<input type="checkbox"/>	<input type="checkbox"/>	<input type="checkbox"/>	<input type="checkbox"/>
BW-D5Z20VT1G-6	150	20	6%	5	55	225	1	0.1	14	SOD-523	1.6x0.8x0.6	DC power			<input type="checkbox"/>	<input type="checkbox"/>	<input type="checkbox"/>	<input type="checkbox"/>
BW-D5Z22VT1G-6	150	22	6%	5	55	250	1	0.1	15.4	SOD-523	1.6x0.8x0.6	DC power			<input type="checkbox"/>	<input type="checkbox"/>	<input type="checkbox"/>	<input type="checkbox"/>
BW-D5Z24VT1G-6	150	24	6%	5	70	250	1	0.1	16.8	SOD-523	1.6x0.8x0.6	DC power			<input type="checkbox"/>	<input type="checkbox"/>	<input type="checkbox"/>	<input type="checkbox"/>
BW-D5Z27VT1G-6	150	27	6%	2	80	300	0.5	0.1	18.9	SOD-523	1.6x0.8x0.6	DC power			<input type="checkbox"/>	<input type="checkbox"/>	<input type="checkbox"/>	<input type="checkbox"/>
BW-D5Z30VT1G-6	150	30	6%	2	80	300	0.5	0.1	21	SOD-523	1.6x0.8x0.6	DC power			<input type="checkbox"/>	<input type="checkbox"/>	<input type="checkbox"/>	<input type="checkbox"/>
BW-D5Z33VT1G-6	150	33	6%	2	80	325	0.5	0.1	23.1	SOD-523	1.6x0.8x0.6	DC power			<input type="checkbox"/>	<input type="checkbox"/>	<input type="checkbox"/>	<input type="checkbox"/>
BW-D5Z36VT1G-6	150	36	6%	2	90	350	0.5	0.1	25.2	SOD-523	1.6x0.8x0.6	DC power			<input type="checkbox"/>	<input type="checkbox"/>	<input type="checkbox"/>	<input type="checkbox"/>
BW-D5Z39VT1G-6	150	39	6%	2	130	350	0.5	0.1	27.3	SOD-523	1.6x0.8x0.6	DC power			<input type="checkbox"/>	<input type="checkbox"/>	<input type="checkbox"/>	<input type="checkbox"/>
BW-D5Z43VT1G-6	150	43	6%	2	100	700	1	0.1	32	SOD-523	1.6x0.8x0.6	DC power			<input type="checkbox"/>	<input type="checkbox"/>	<input type="checkbox"/>	<input type="checkbox"/>

Surge Lab

模拟雷击发生器

IEC61643-1
Surge Test

8/20μs
0-160kA

10/350μs
0-50kA



100A TLP测试系统

IEC61643-11
TOV Test

AC1200V
0-300A

雷击浪涌发生器

ITU-T K Series
Surge Test

10/700μs
0-6000V
0-400A

1.2/50μs-8/20μs
0-6000V
0-3000A



汽车电子7637
ISO7637-2:2011
&ISO16750:2010
Surge Test

P1/P2a/P2b/P3a/
P3b/P4a/P5a/P5b

雷击浪涌发生器

IEC61000-4-5
Surge Test

1.2/50μs-8/20μs
0-10kV
0-5000A

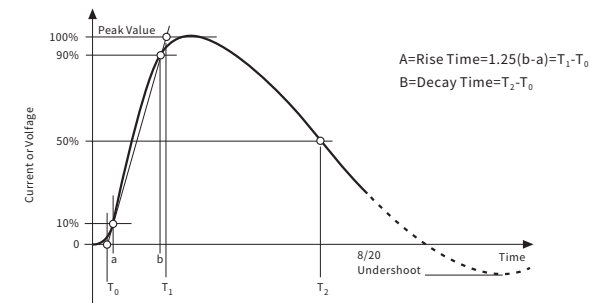


雷击浪涌发生器
GR-1089
Surge Test

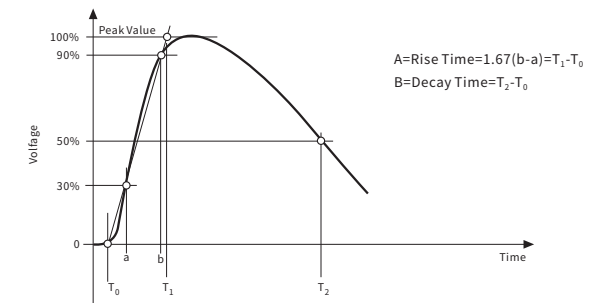
2/10μs
0-5000V
0-500A

10/360μs
0-1000V
0-100A

GR1089-2:2010 Exponential Voltage/Current Waveform of A/B



GR1089-2:2010 Double Exponential Voltage/Current Waveform of A/B for 1.2/50 and 10/700 Surges



Designation	Condition	Edge	Time and Tolerance	Amplitude
2/10	Open-Circuit Voltage	Rise	2μs+0μs to -1μs	0% to+20%
		Decay	2μs+7μs to-0μs	
2/10	Short-Circuit Current	Rise	2μs+0μs to -1μs	0% to+20%
		Decay	2μs+7μs to-0μs	
1.2/50-8/20 (See Note 1)	Open-Circuit Voltage	Rise	1.2μs±0.36μs	±10%
		Decay	50μs±1.6μs	
1.2/50-8/20 (See Note 1)	Short-Circuit Current	Rise	8μs±1.6μs	±10% (See Note 2)
		Decay	20μs±4μs	
8/20	Open-Circuit Voltage	Rise	(See Note 3)	(See Note 4)
		Decay	(See Note 3)	
8/20	Short-Circuit Current	Rise	8μs±1.6μs	±10% (See Note 2)
		Decay	20μs±4μs	
10/250	Open-Circuit Voltage	Rise	10μs+0μs to-6.0μs	0% to+16%
		Decay	250μs+150μs to-0μs	
10/250	Short-Circuit Current	Rise	10μs+0μs to-3.0μs	0% to+16%
		Decay	250μs+50μs to-0μs	
10/360	Open-Circuit Voltage	Rise	10μs+0μs to-2.5μs	0% to+15%
		Decay	250μs+108μs to-0μs	
10/360	Short-Circuit Current	Rise	10μs+0μs to-2.5μs	0% to+15%
		Decay	250μs+108μs to-0μs	
10/700 Dual Output Version	Open-Circuit Voltage - Both terminals open	Rise	10μs±3μs	±10%
		Decay	700μs±140μs	
	Open-Circuit Voltage - Other terminal shorted	Rise	5μs±1.5μs	±10%
		Decay	320μs±64μs	
Short-Circuit Current - Other terminal open	Rise	5μs±1.5μs	±10%	
	Decay	320μs±64μs		
Short-Circuit Current - Both terminals shorted	Rise	4μs±1.2μs	±10%	
	Decay	250μs±50μs		
10/1000	Open-Circuit Voltage	Rise	10μs+0μs to-4.0μs	0% to+15%
		Decay	1000μs+500μs to-0μs	
	Short-Circuit Current	Rise	10μs+0μs to-4.0μs	0% to+15%
Decay		1000μs+500μs to-0μs		

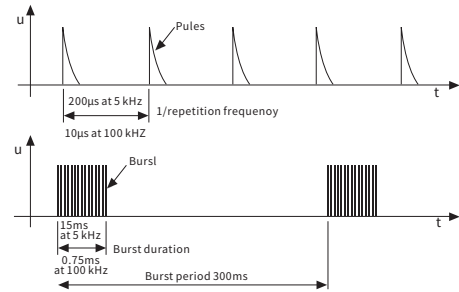
Note 1: Fictive impedance (open-circuit peak voltage value/short-circuit peak current value) 2Ω

Note 2: Undershoot < 30% of the peak short-circuit value.

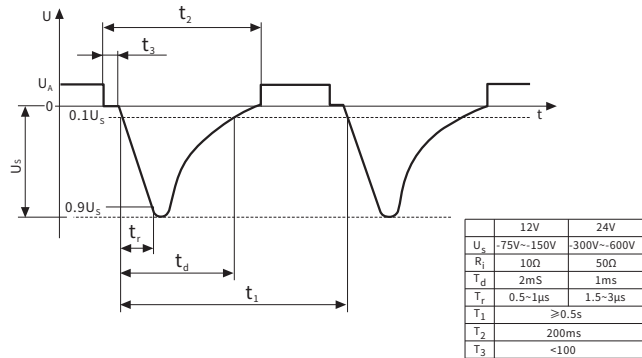
Note 3: Voltage waveshape not defined.

Note 4: Minimum peak open-circuit voltage defined in test conditions.

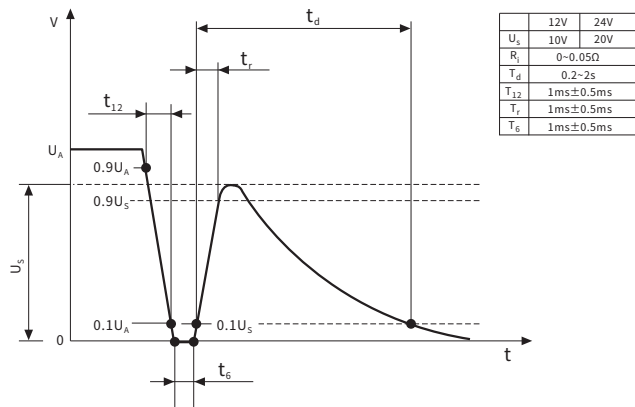
IEC61000-4-4:2012 Representation of an electrical fast transient / burst



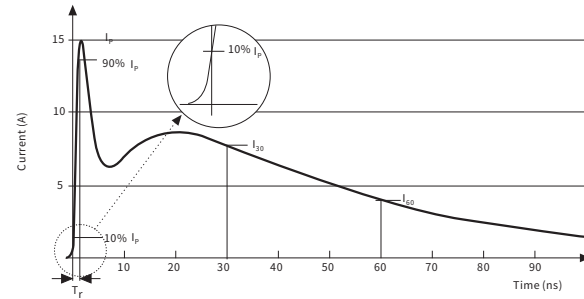
ISO7637-2:2011 Test pulse generator for immunity testing—Test pulse 1



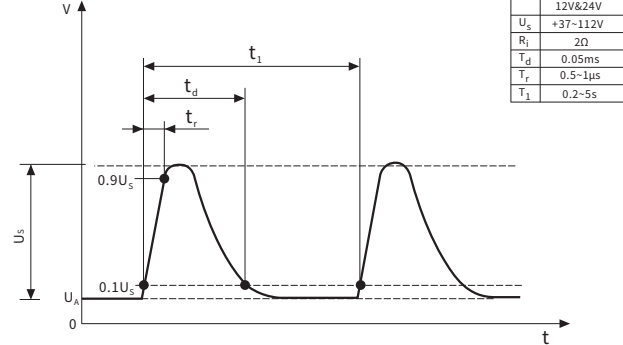
ISO7637-2:2011 Test pulse generator for immunity testing—Test pulse 2b



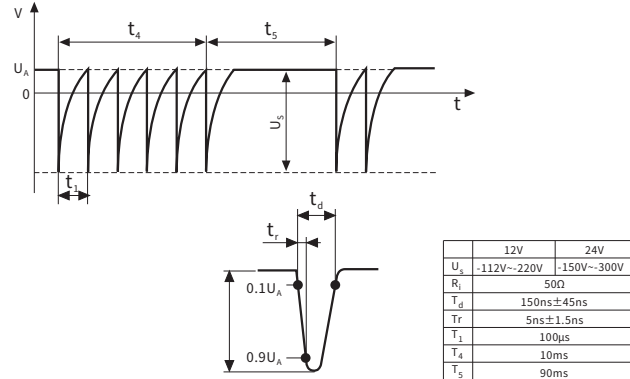
IEC61000-4-2:2008 Ideal contact discharge current waveform at 4 kV



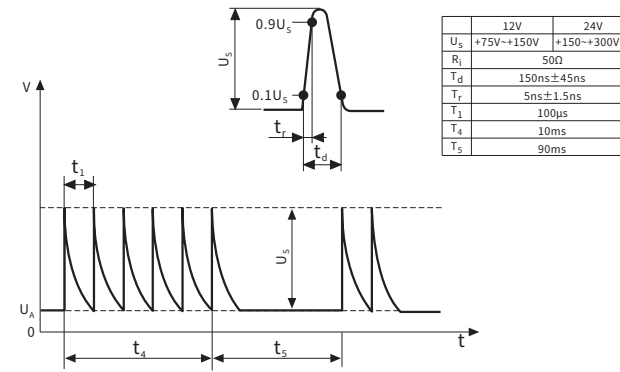
ISO7637-2:2011 Test pulse generator for immunity testing—Test pulse 2a



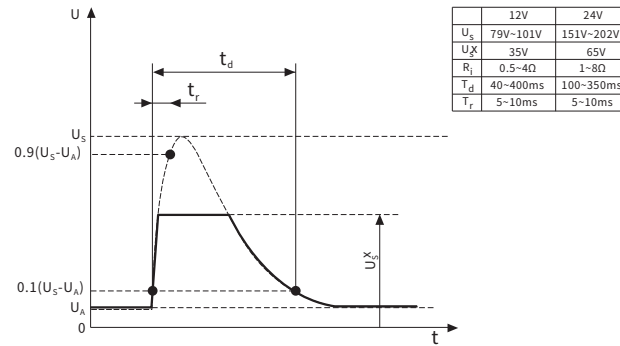
ISO7637-2:2011 Test pulse generator for immunity testing—Test pulse 3a



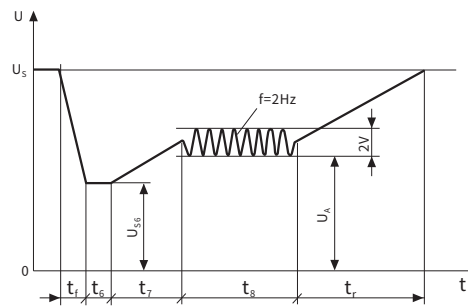
ISO7637-2:2011 Test pulse generator for immunity testing—Test pulse 3b



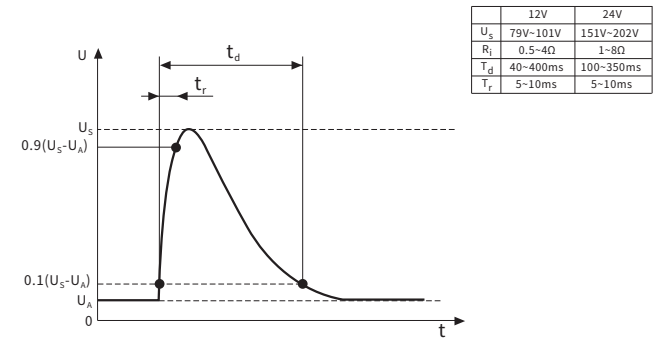
ISO16750-2:2012 Test pulse generator for immunity testing—Test pulse 5b



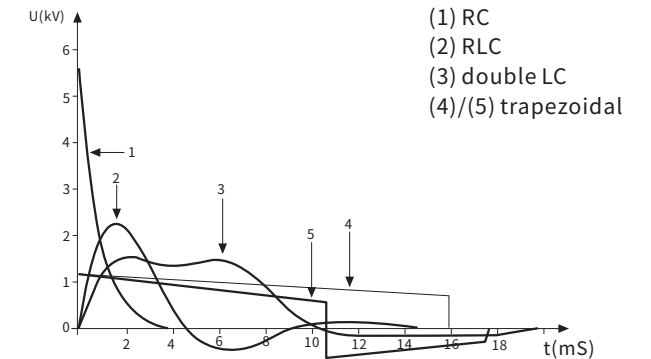
ISO16750-2:2012 Test pulse generator for immunity testing—Test pulse 4



ISO16750-2:2010 Test pulse generator for immunity testing—Test pulse 5a



IEC60601:2008 Response of defibrillator circuits



	I		II		III		IV
	12V	24V	12V	24V	12V	24V	12V
U _{s6} (V)	8(-0.2)	10(-0.2)	4.5(-0.2)	8(-0.2)	3(-0.2)	6(-0.2)	6(-0.2)
U ₅ (V)	9.5(-0.2)	20(-0.2)	6.5(-0.2)	15(-0.2)	5(-0.2)	10(-0.2)	6.5(-0.2)
t _f (ms)	5(±0.5)	10(±1)	5(±0.5)	10(±1)	5(±0.5)	10(±1)	5(±0.5)
t _d (ms)	15(±1.5)	50(±5)	15(±1.5)	50(±5)	15(±1.5)	50(±5)	15(±1.5)
t _r (ms)	50(±5)	50(±5)	50(±5)	50(±5)	50(±5)	50(±5)	50(±5)
t ₅ (ms)	1000(±100)	1000(±100)	10000(±1000)	1000(±100)	1000(±100)	1000(±100)	10000(±1000)
t ₆ (ms)	40(±4)	40(±4)	100(±10)	100(±10)	100(±10)	40(±10)	100(±10)



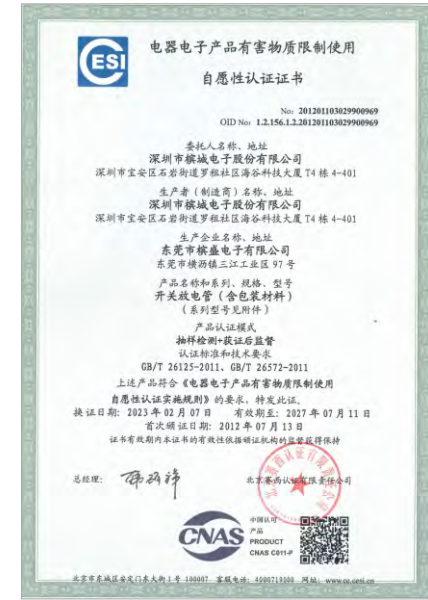
ISO9001:2015



TS16949:2016



C-RoHS



C-RoHS



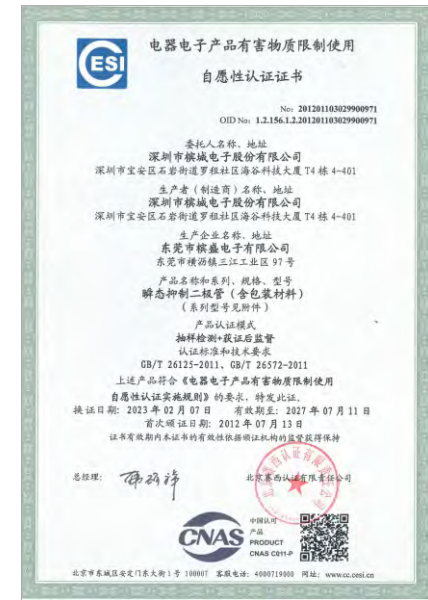
ISO45001:2018



ISO14001:2015



C-RoHS



C-RoHS

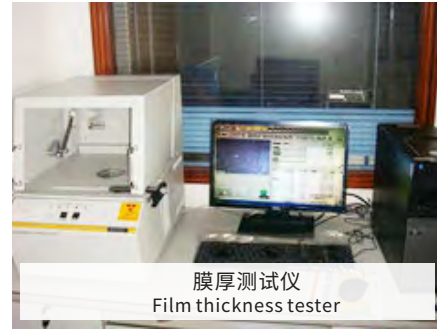
Reliability Lab



RoHS 测试仪
RoHS Tester



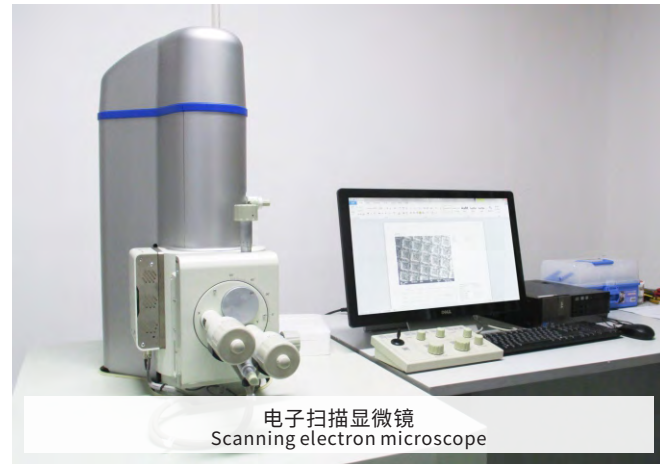
快速温变试验箱
Temperature cycle



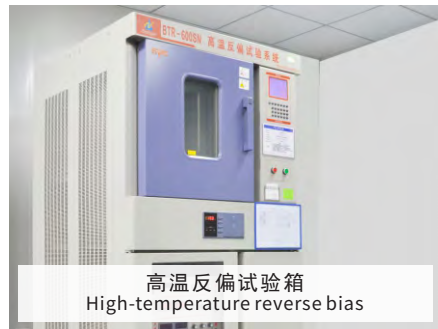
膜厚测试仪
Film thickness tester



X Ray
X-RAY 透视检验设备
X-RAY perspective detector



电子扫描显微镜
Scanning electron microscope



高温反偏试验箱
High-temperature reverse bias



恒温恒湿试验箱
High temperature and humidity



高加速寿命检测设备
Highly accelerated stress test

Layout Recommended

10/700 μ s-5/320 μ s(40 Ω) 1KV-6KV

Voltage(kV)	Copper thickness(OZ)	Trace widths@Surface(mil)	Test times
1	1	5	± 30
3		8	± 30
4		10	± 30
5		12	± 30
6		15	± 30
4	2	5	± 30
6		8	± 30

8/20 μ s 0.5KA-10KA(10Z)

Current(kA)	Trace widths @Surface(mil)	Trace widths@Inlayer(mil)	Test times
0.5	12	20	± 30
1	30	40	± 30
1.5	30	60	± 30
2	40	80	± 30
2.5	50	100	± 30
3	80	100	± 30
3.5	80	140	± 30
4	80	180	± 30
4.5	100	180	± 30
5	100	200	± 30
5.5	120	240	± 30
6	120	250	± 30
6.5	200	300	± 30
7	200	300	± 30
7.5	200	360	± 30
8	200	360	± 30
8.5	200	360	± 30
9	250	360	± 30
9.5	250	400	± 30
10	250	400	± 30

